

**Features:**

**GMX21022**

Include Components:

- Combination      GMX21022
- Bowl                G0021975
- Tank                GMX28995

- Vitreous China
- 4-1/4" Vertical Rough-In
- 3" Flush Valve for Maximum Water Force
- Gerber Pilot Fill Valve
- Extra-Large Dual Fed Siphon Jet for High Power Bowl Clearing
- 100% Glazed, 2" Large Trapway for Clog-Free Waste Removal
- Double Nut Multi-Point Tank-to-Bowl Mounting System for Tool-Free Installation
- Color Matched Tank Lever
- Compact Design Fits in Round Front Space
- Color Matched Bolt Caps Included
- Toilet Seat Not Included



**Technical Information:**

Configuration	Two-Piece, ErgoHeight™ ADA Compact Elongated Back Outlet Toilet
Water Consumption	1.6 gpf (6.0 Lpf)
Rough-In	4 1/4"
Height	31"
Width	17 1/4"
Depth	27 3/8"
Trapway	2"
Water Surface	8 11/16" x 6 5/16"
Shipping Weight Bowl	57.5 lbs
Shipping Weight Tank	29.5 lbs

**Accessories Sold Separately:**

N/A

**Other Tank Options: (Sold Separately)**

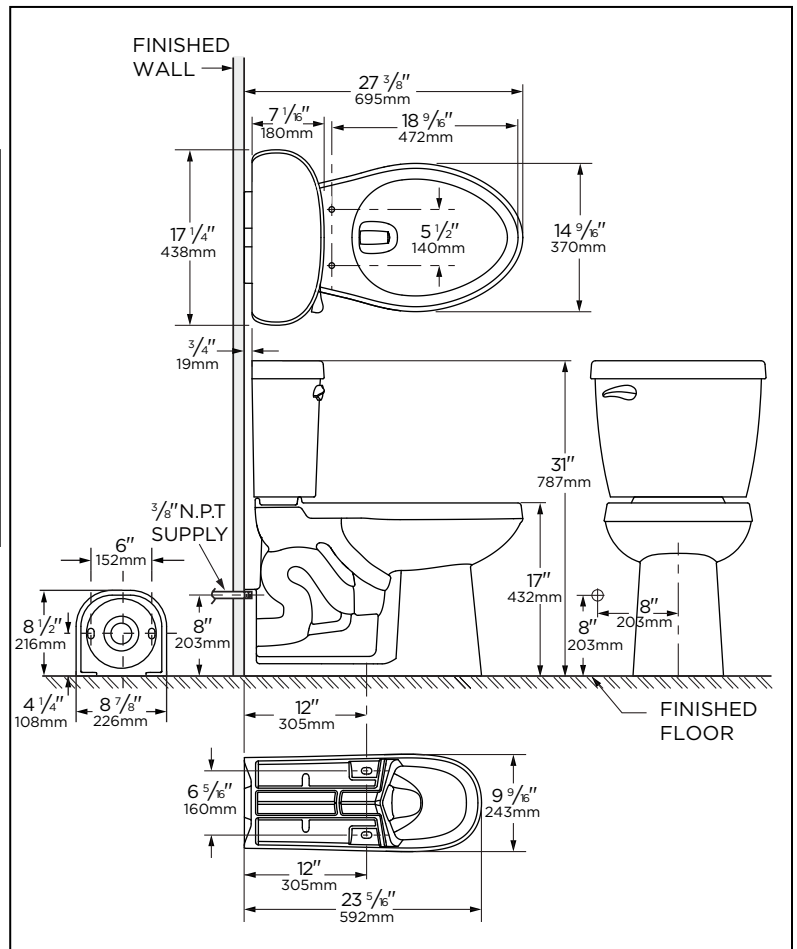
N/A

**Available Colors:**

- White
- Other: Refer to Price Book for Additional Colors

**Warranty:**

- Limited Lifetime on Vitreous China, refer to the website for more details.



**NOTES:** All dimensions are in inches and millimeters. Illustrations may not be drawn to scale.

**IMPORTANT:**

Dimensions of fixtures are nominal and may vary within the range of tolerances established by ASME standard A112.19.2/CSA B45.1 THIS FIXTURE QUALIFIES ACCORDING TO ASME TEST PROCEDURES AS A LOW CONSUMPTION WATER CLOSET WITH AN AVERAGE CONSUMPTION OF 1.6 gpf (6.0 Lpf). WATER CLOSET CONSUMPTION IS DETERMINED BY THE TANK.