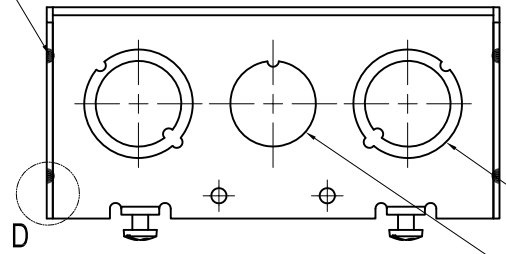


SIDES	BOTTOM
2 1/2" KNOCKOUTS	
10 1/2"-3/4" KNOCKOUTS	
2 PCS 8-32X1/2 Screws Installed	
Material:Steel-0.0625"-G60 Galvanized	

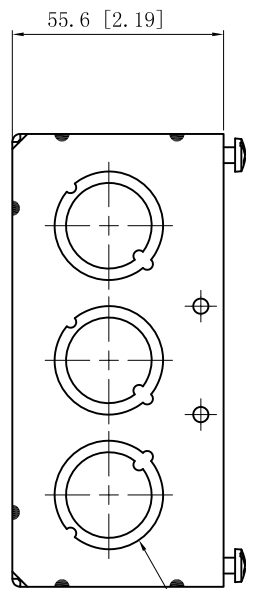
12 PLACES SPOT WELDING



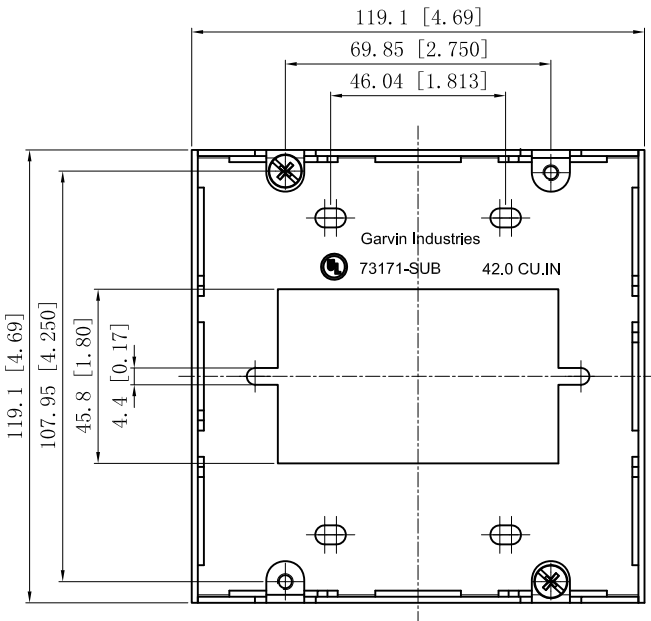
WELDING STYLE DETAIL VIEW D



4 1/2"-3/4" MOON KNOCKOUTS $\phi=22.50$ [$\phi=0.886$]
 $\phi=28.50$ [$\phi=1.122$] MIRROR
 2 1/2" KNOCKOUTS $\phi=22.50$ [$\phi=0.886$] MIRROR



55.6 [2.19]



119.1 [4.69]

69.85 [2.750]

46.04 [1.813]

119.1 [4.69]

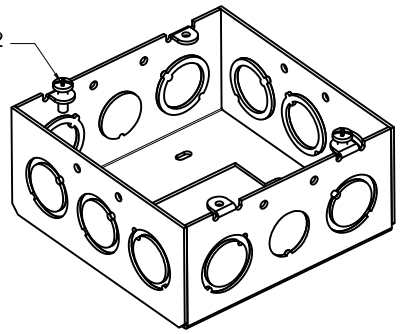
107.95 [4.250]

45.8 [1.80]

4.4 [0.17]

Garvin Industries
 73171-SUB 42.0 CU.IN

#8-32, X2



6 1/2"-3/4" MOON KNOCKOUTS $\phi=22.50$ [$\phi=0.886$]
 $\phi=28.50$ [$\phi=1.122$] MIRROR

This data sheet is for reference only. GARVIN INDUSTRIES reserves the right to make changes to the design without prior notice.

DESCRIPTION
TRADE REFERENCE TERMS

STANDARD PACKING
25 PCS

GARVIN INDUSTRIES		
TITLE 4-11/16" SQUARE EXTENSION RINGS 2-1/8" DEEP		
SIZE A4	DWG NO. 73171-SUB	REV C
DATA SHEET		