

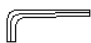



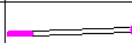


# HOOKER<sup>®</sup>

— FURNITURE —

## ASSEMBLY INSTRUCTION

Item#: 5751-75200T-95 84in Rectangular Dining Table Top w-2/22in  
5751-75200B-95 Rectangular Dining Table Base

**\*\* Please make sure you have all parts indicated below prior to assembly.  
This table is heavy and can best be assembled with the help of two or more people.**

NO.	HARDWARE LIST		Q'TY
A		ALLEN WRENCH	1
B		$\frac{5}{16}$ *50MM BOLT	8
C		LOCK WASHER	30
D		FLAT WASHER	30
E		$\frac{5}{16}$ *200 MM BOLT	8
F		$\frac{5}{16}$ *35 MM BOLT	12
G		$\frac{5}{16}$ *80 MM BOLT	2

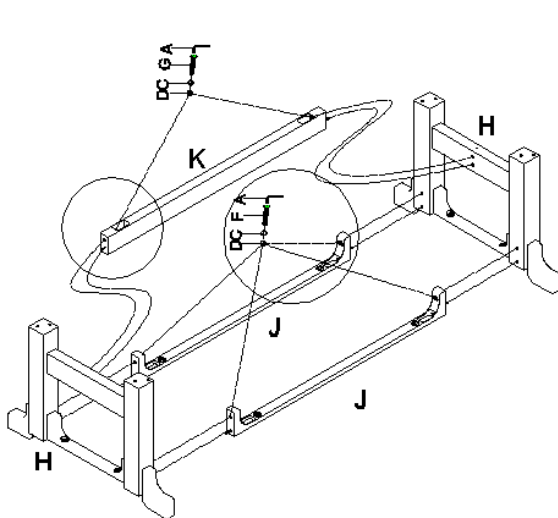
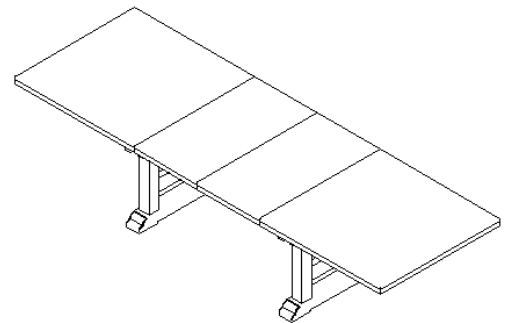


Diagram 1

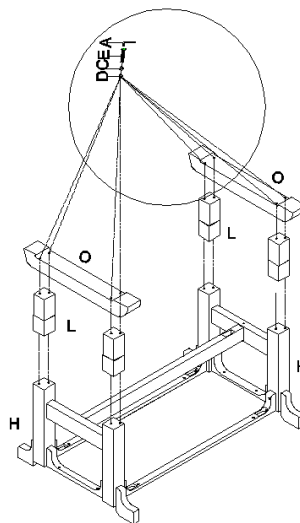


Diagram 2

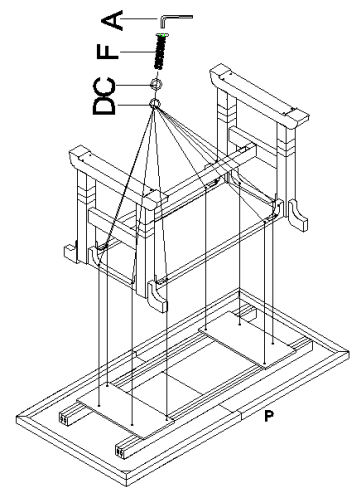


Diagram 3

**Note:**

1. Height of this table can be adjusted with or without extension block. (30" and 36" heights)

## Assembly steps with extension blocks:

1. Well place 2pcs of top stretchers between side frames (H), using bolts (F), lock washers (C) and flat washers (D), don't tighten up at this step. (See Diagram 1).Then place bottom stretcher between pedestals (H), using bolts (G), lock washers (C) and flat washers (D), secure all by turning with allen wrench (A) in clockwise direction. (See Diagram 1).
2. Attach the extension blocks(L) to the side frames.Then attach the base rails (O) to the side frames with extension blocks by using bolts (E), lock washers (C) and flat washers (D), tighten all with allen wrench (A). (See Diagram 2)
3. Place table top (P) upside down on a soft surface to prevent it from being scratched. Put whole base onto top to make sure all pre-drilled holes are in alignment, well insert bolts (F), lock washers (C) and flat washers (D), tighten bolts by turning with allen wrench (A) in clockwise direction. (See Diagram 3)

## Assembly steps without extension blocks:

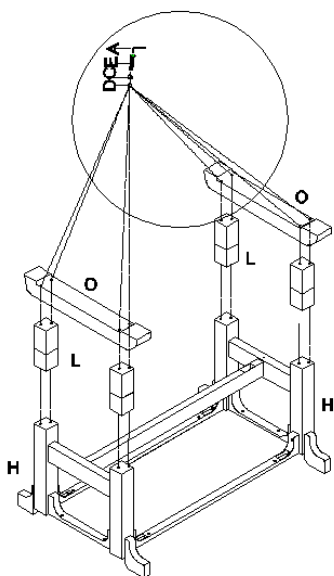


Diagram 4

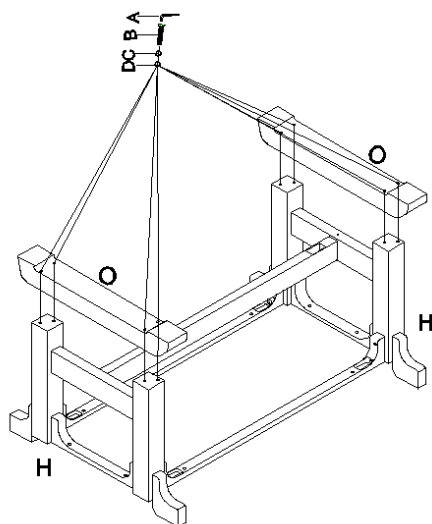


Diagram 5

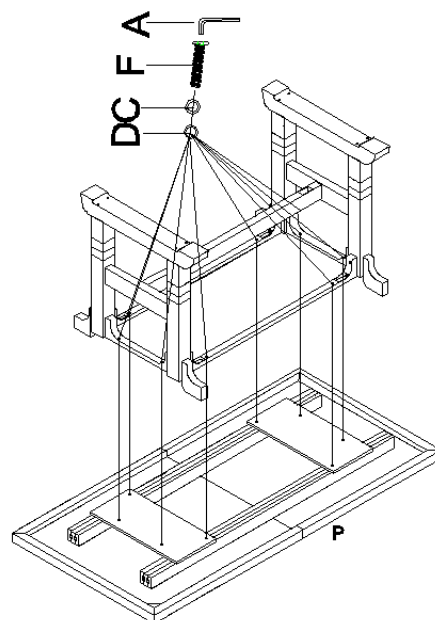


Diagram 6

4. Unscrew bolts (E), lock washers (C) and flat washers (D) from base rails (O) (See Diagram 4).
5. Remove the extension blocks (L) from the side frame.
6. Attach base rails(O) to the side frame by using bolts (B), lock washers (C) and flat washers (D), tighten all with allen wrench (A). (See Diagram 5)
7. Place table top (P) upside down on a soft surface to prevent it from being scratched. Put whole base onto top to make sure all pre-drilled holes are in alignment, well insert bolts (F), lock washers (C) and flat washers (D), tighten bolts by turning with allen wrench (A) in clockwise direction. (See Diagram 6)
8. Turn table upright.

## Instruction for table leaves:

1. There are latches at the bottom of table top, turn off the latches as shown in Diagram 7.
2. Pull out table top as the arrow direction shown in Diagram 8.
3. Place table leaves between and push table tops together.
4. Turn on latches. (see Diagram 7)
5. Take opposite actions to remove table leaves.

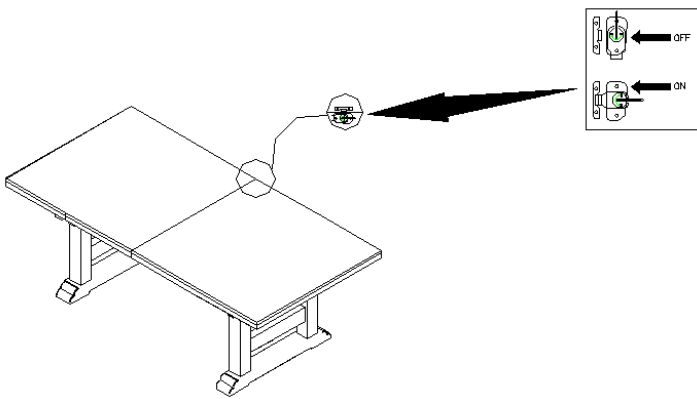


Diagram 7

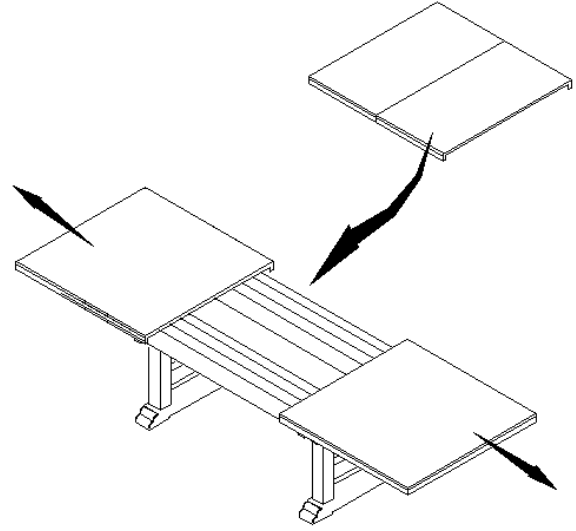


Diagram 8

***Cleaning Instruction: Clean finished parts with a damp cloth using a mild dishwashing liquid and water solution. Polish the finish with soft cloth and an industry recognized furniture polish.***