

Features

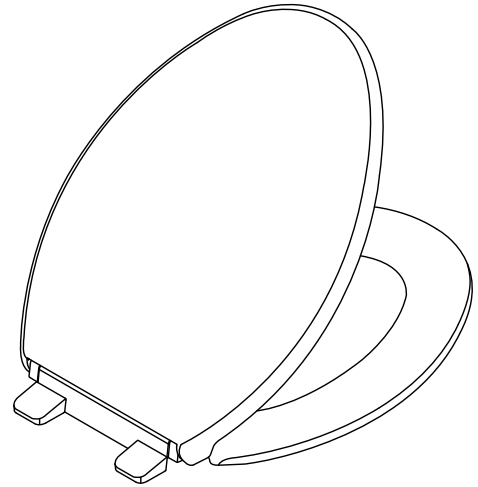
- Elongated closed-front seat
- Grip-Tight bumpers hold seat firmly in place
- Quick-Release™ functionality allows seat to be removed easily from toilet for convenient cleaning
- Color-matched plastic hinges
- Contoured seat for user comfort
- Quick-Attach® hardware for fast and secure installation
- Fits most elongated toilets

Material

- Plastic construction

Installation

- For residential use only
- For nonresidential application, K-7671, K-20110, or K-20112 is recommended



Codes/Standards
IAPMO/ANSI Z124.5

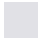


KOHLER® One-Year Limited Warranty

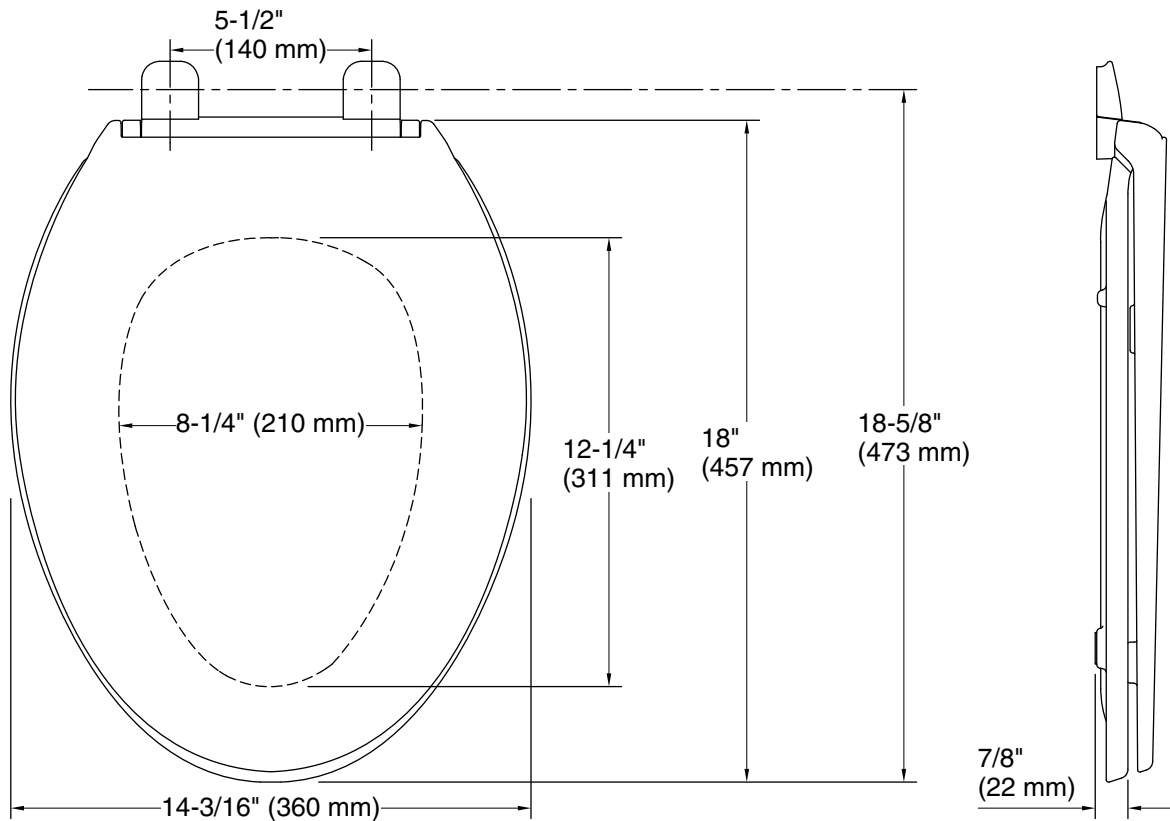
See website for detailed warranty information.

Available Colors/Finishes

Color tiles intended for reference only.

Color	Code	Description
-------	------	-------------

	0	White
	96	Biscuit
	47	Almond



Technical Information

All product dimensions are nominal.

Seat shape type: Elongated
 Seat front type: Closed-front
 Seat-mounting holes: 5-1/2" (140 mm)

Notes

Install this product according to the installation instructions.

Pressure/fixture Supply Requirements