

ITEM #89360

Rustic Oak 60" TV Console with  
Slate Tiles

**Leick**  
Home  
SINCE 1910

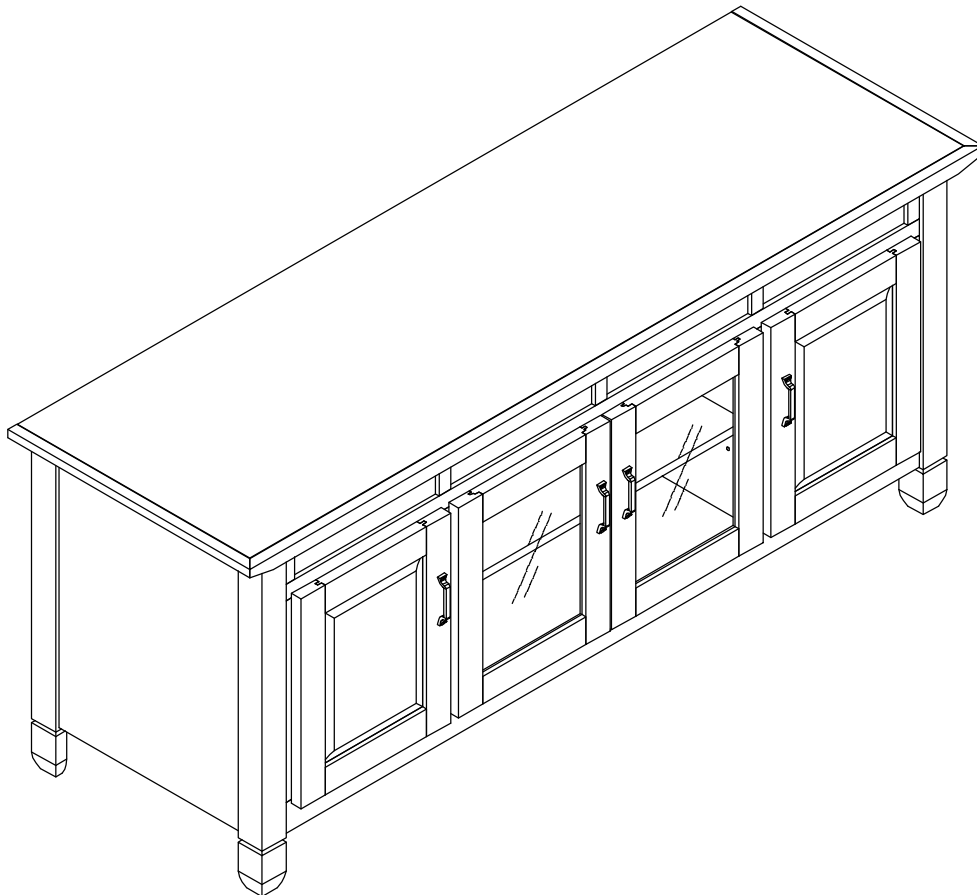
2219 S. 19th St.

Sheboygan, WI 53081


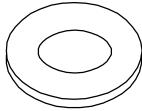

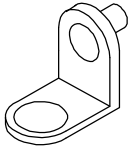
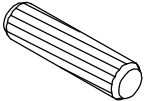


Ph: 920-451-4060

Fax: 920-451-4063

[info@leickhome.com](mailto:info@leickhome.com)

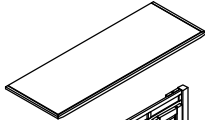
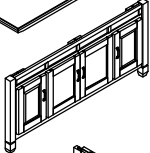
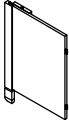
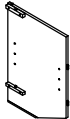
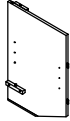
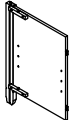
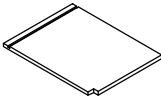
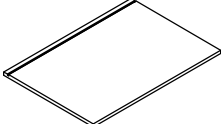
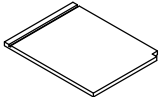
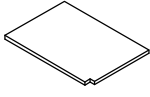
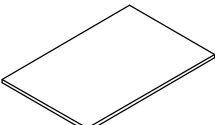
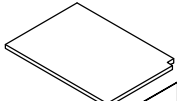
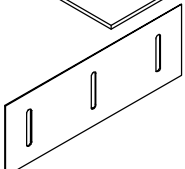


# Hardware List

	Item	Description	Qty
a		Long Bolt 1/4"x1-1/8"	7PCS
b		Flat Washer 1/4"x12mm	7PCS
c		Allen wrench	1PC
d		Shelf metal clip	12PCS
e		Wood Dowel	4PCS
f		Door Pull	4PCS
g		Machine Screw 5/32"x7/8"	8PCS

# Parts List

---

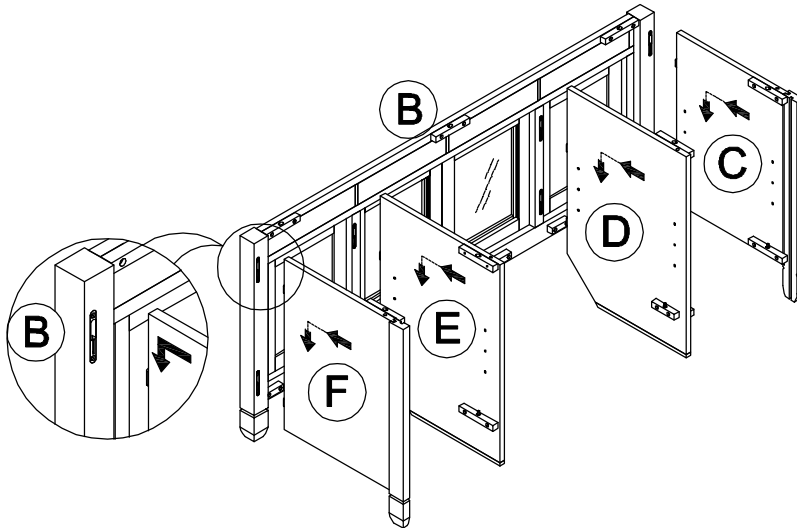
A	Item	Description	Qty
		Top	1PC
		Front Frame	1PC
		Left Side Panel	1PC
		Middle Left Side Panel	1PC
		Middle Right Side Panel	1PC
		Right Side Panel	1PC
		Left Bottom Panel	1PC
		Middle Bottom Panel	1PC
		Right Bottom Panel	1PC
		Left Adjustable Shelf	1PC
		Middle Adjustable Shelf	1PC
		Right Adjustable Shelf	1PC
		Back Panel	1PC

# Assembly Instructions

Two person assembly recommended.

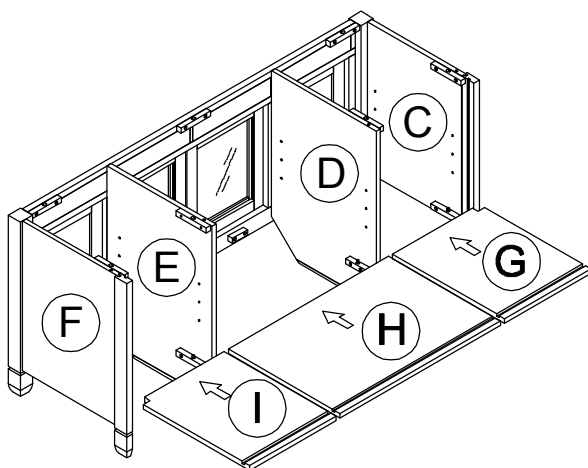
## step 1

Insert the side panel (F) onto the front frame, push down the side panel to make it tight. Do the same assembly step on (E & D & C) panels.



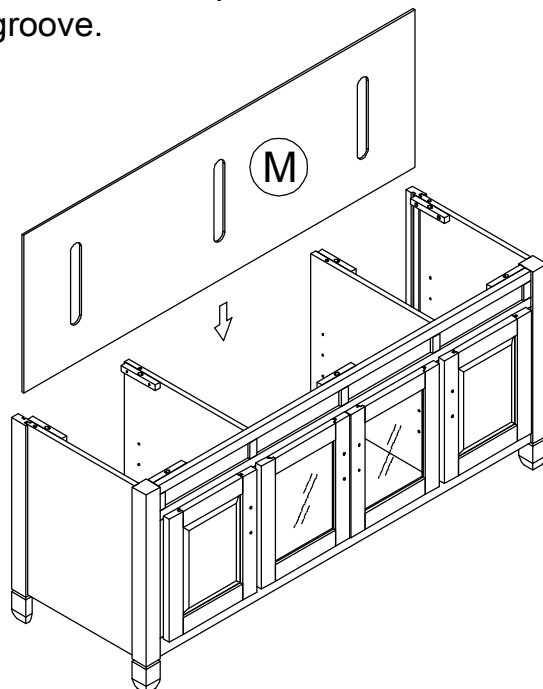
## step 2

Insert the bottom panels.



## step 3

Slide the back panel into cabinet groove.

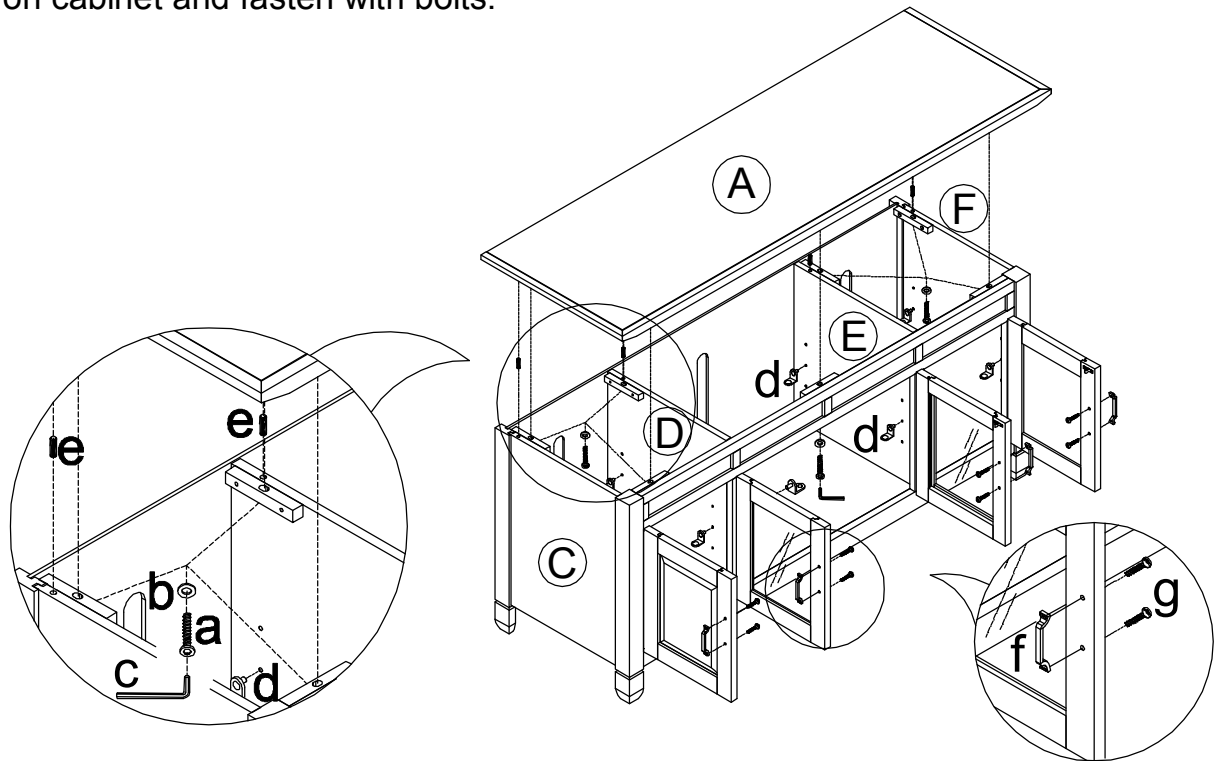


# Assembly Instructions

Two person assembly recommended.

## step 4

Insert the shelf supports into the cabinet and install the pulls on doors. Insert four wooden dowels (e) on the top of (C & D & E & F) panels. Place the top on cabinet and fasten with bolts.



## step 5

Place all shelves on shelf supports.

