

## SOLAR POWERED LED SECURITY LIGHT INSTALLATION INSTRUCTIONS



**WARNING:** KEEP DEVICE AWAY FROM FIRE OR BEING FULLY IMMERSSED IN WATER.

### IMPORTANT, RETAIN FOR FUTURE REFERENCE: READ CAREFULLY

#### PARTS INCLUDED

- (2) Security light
- (4) Fixture mounting screws
- (4) Screw anchors

#### SELECT YOUR MOUNTING LOCATION

The solar panel charges best in direct sunlight. The operating time will vary based on geographical location, weather conditions, and season. The Security Light is portable. If you choose to mount the unit, doing so in shady areas may reduce nighttime working hours. Be sure that the selected location is not close to other bright nighttime light sources such as street lights or porch lights. These light sources may keep the solar light from turning on automatically.

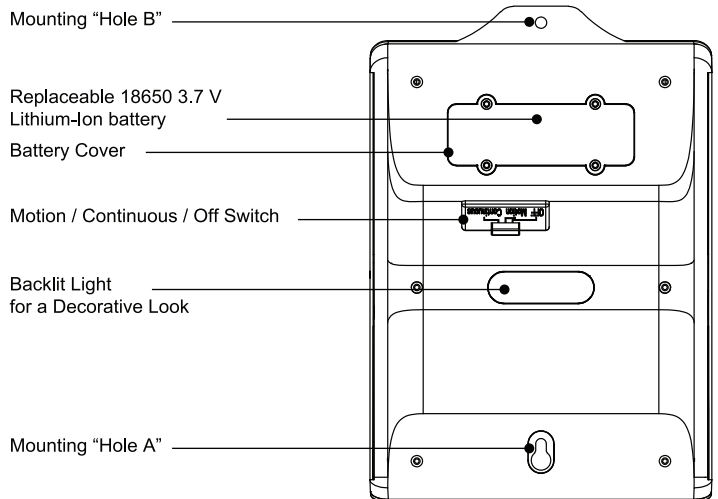
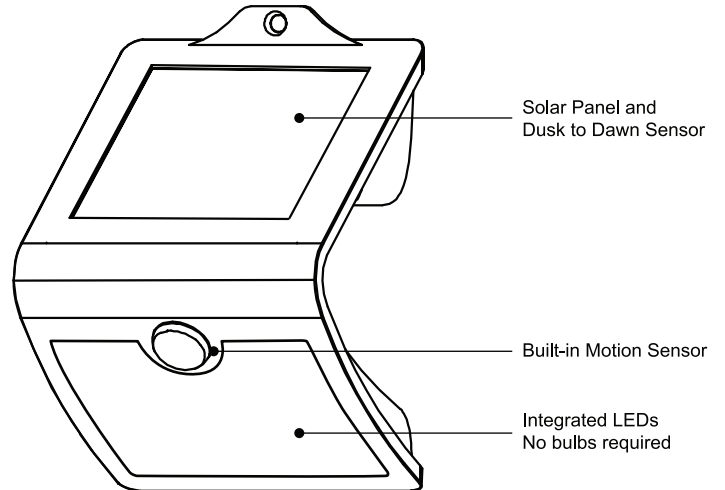
Optimal height for motion detection is 8 feet.

#### BATTERY REPLACEMENT

To replace the battery, unscrew the battery cover, remove the old battery and insert a new Lithium-Ion 18650 3.7 V minimum 2200 mAh. Make sure to securely screw the battery cover back in place.

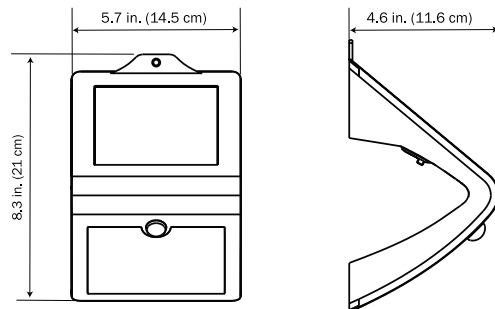
#### BATTERY WARNING:

Risk of fire, explosion, and burns. Do not disassemble, crush, heat above 100° C / 212° F or incinerate. REPLACE ONLY WITH one Lithium-Ion 18650 3.7 V minimum 2200 mAh battery. **DISPOSE OF USED BATTERY PROMPTLY. KEEP AWAY FROM CHILDREN. DO NOT DISASSEMBLE AND DO NOT DISPOSE OF IN FIRE.**

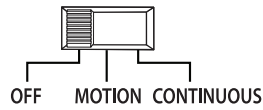


**CAUTION:** Dispose of used battery promptly according to local recycling or waste regulations. Clean battery contacts and device contacts prior to installing battery. Ensure the battery is installed correctly with regard to polarity (+ and -). Remove battery from product when not being used for an extended period of time.

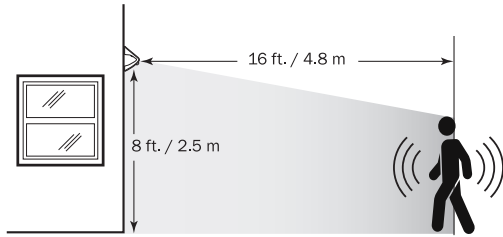
- Wet location rated, IP65



## Light Operation Settings:



Switch Location	Mode
OFF	Stays <b>OFF</b> and able to charge regardless of motion detection.
MOTION	When motion is detected, lights at 1000 lumens for 1 minute. <b>OFF</b> when motion is not detected, surroundings are bright, or when battery is depleted.
CONTINUOUS	When motion is detected, lights at 1000 lumens for 20 seconds. When motion is not detected, lights at 100 lumens continuously. <b>OFF</b> when surroundings are bright or when battery is depleted (up to 6 hours if fully charged).



## Wall Mount Installation (Optional)

1. Identify mounting location. Use included template to locate position for "Hole A".
2. Drill a hole in the wall at the location for "Hole A" using a 6 mm drill bit and insert a screw anchor (Fig A). Insert a screw (provided) and tighten. Leave the screw 0.1 in. (3 mm) away from the mounting surface.

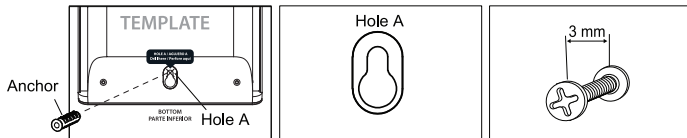


Fig A.

3. Drill a hole in the wall at the location for "Hole B" using a 6 mm drill bit and insert a screw anchor (Fig B). Drill using template. Do not drill through Hole B on Solar Security Light.

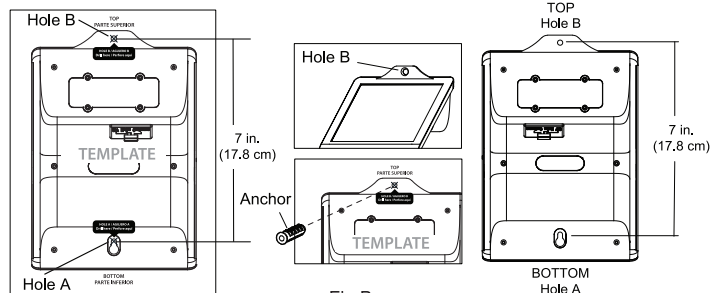


Fig B.

4. Insert the screw into Hole A of the fixture and shift the fixture down to lock in place. Align the hole in the top of the fixture to Hole B and insert a screw (provided) into hole B and tighten (Fig. C).

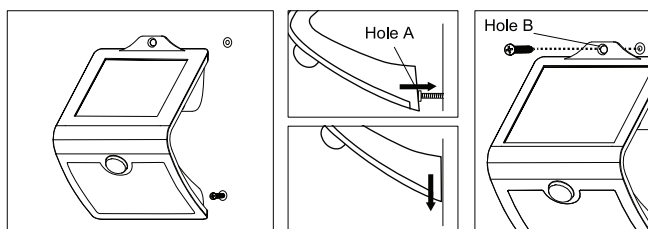


Fig C.

## TROUBLE SHOOTING

**Batteries not fully charged:** Make sure the fixture is placed in an area where the solar panel gets the maximum amount of full, direct sunlight everyday. If the solar panel does not receive enough sunlight during the day (e.g. due to cloudy or overcast weather conditions), it will recharge on the next sunny day and resume operation.

**Cleaning:** To ensure proper operation, it is important that the solar panel is kept free from dirt and debris. If the solar panel is not cleaned periodically, the battery will not fully charge and battery life will be shortened. A dampened cloth or paper towel can be used for regular cleaning of the solar panel. Avoid scratching or damaging solar panel to ensure proper operation.

**Weather:** If the daytime weather has been cloudy or overcast, battery may not be sufficiently charged for nighttime operation. The solar panel on the Security Light must have direct sunlight to ensure battery is fully charged. If the solar panel does not receive enough direct sunlight on a given day, it will recharge on the next sunny day and resume operation.

**Other light sources:** If your Solar Security Light is located too close to street lights, porch lights or other lights, the Dusk to Dawn sensor may turn off the fixture. Relocate the fixture or eliminate those other light sources.

**Not enough direct sunlight:** Ensure that the Solar Security Light is not installed in a shady area, for example, in the shadow of a tree or a house. If necessary, move the Security Light to an area that gets full direct sunlight.

**Light does not turn on in the dark:** Move switch to the CONTINUOUS position in a dark room. The light should come on.

## STORAGE TIPS

To ensure optimal performance, do not store unused Solar Security Light for prolonged periods of time. Storing Solar Security Light in a box or dark room will not allow the light to recharge and this will damage the batteries. If you need to store Solar Security Light for a prolonged period, it must be fully discharged and must be fully charged at least once a month.

## LIMITED WARRANTY

This product is warranted to be free from defects in workmanship and materials for up to 1 year from date of purchase. If the product fails within the warranty period, please contact Feit Electric at info@feit.com, visit feit.com/contact-us or call 1-866-326-BULB (2852) for instructions on replacement or refund. REPLACEMENT OR REFUND IS YOUR SOLE REMEDY. EXCEPT TO THE EXTENT PROHIBITED BY APPLICABLE LAW, ANY IMPLIED WARRANTIES ARE LIMITED IN DURATION TO THE DURATION OF THIS WARRANTY. LIABILITY FOR INCIDENTAL OR CONSEQUENTIAL DAMAGES IS HEREBY EXPRESSLY EXCLUDED. Some states and provinces do not allow the exclusion of incidental or consequential damages, so the above limitation or exclusion may not apply to you. This warranty gives you specific legal rights, and you may also have other rights which vary from state to state or province to province.

**Supplier's Declaration of Conformity:** 47 CFR § 2.1077 Compliance Information  
**Responsible Party:** Feit Electric Company, 4901 Gregg Road, Pico Rivera, CA 90660, USA 562-463-2852

**Unique Identifier:** SV1000/2

This device complies with part 15 of the FCC Rules. Operation is subject to the following two conditions: (1) This device may not cause harmful interference, and (2) this device must accept any interference received, including interference that may cause undesired operation. Note: This equipment has been tested and found to comply with the limits for a Class B digital device, pursuant to part 15 of the FCC Rules. These limits are designed to provide reasonable protection against harmful interference in a residential installation. This equipment generates, uses and can radiate radio frequency energy and, if not installed and used in accordance with the instructions, may cause harmful interference to radio communications. However, there is no guarantee that interference will not occur in a particular installation. If this equipment does cause harmful interference to radio or television reception, which can be determined by turning the equipment off and on, the user is encouraged to try to correct the interference by one or more of the following measures: Reorient or relocate the receiving antenna. Increase the separation between the equipment and receiver. Connect the equipment into an outlet on a circuit different from that to which the receiver is connected. Consult the dealer or an experienced radio/TV technician for help. Any changes or modifications not expressly approved by the manufacturer could void the user's authority to operate the equipment.