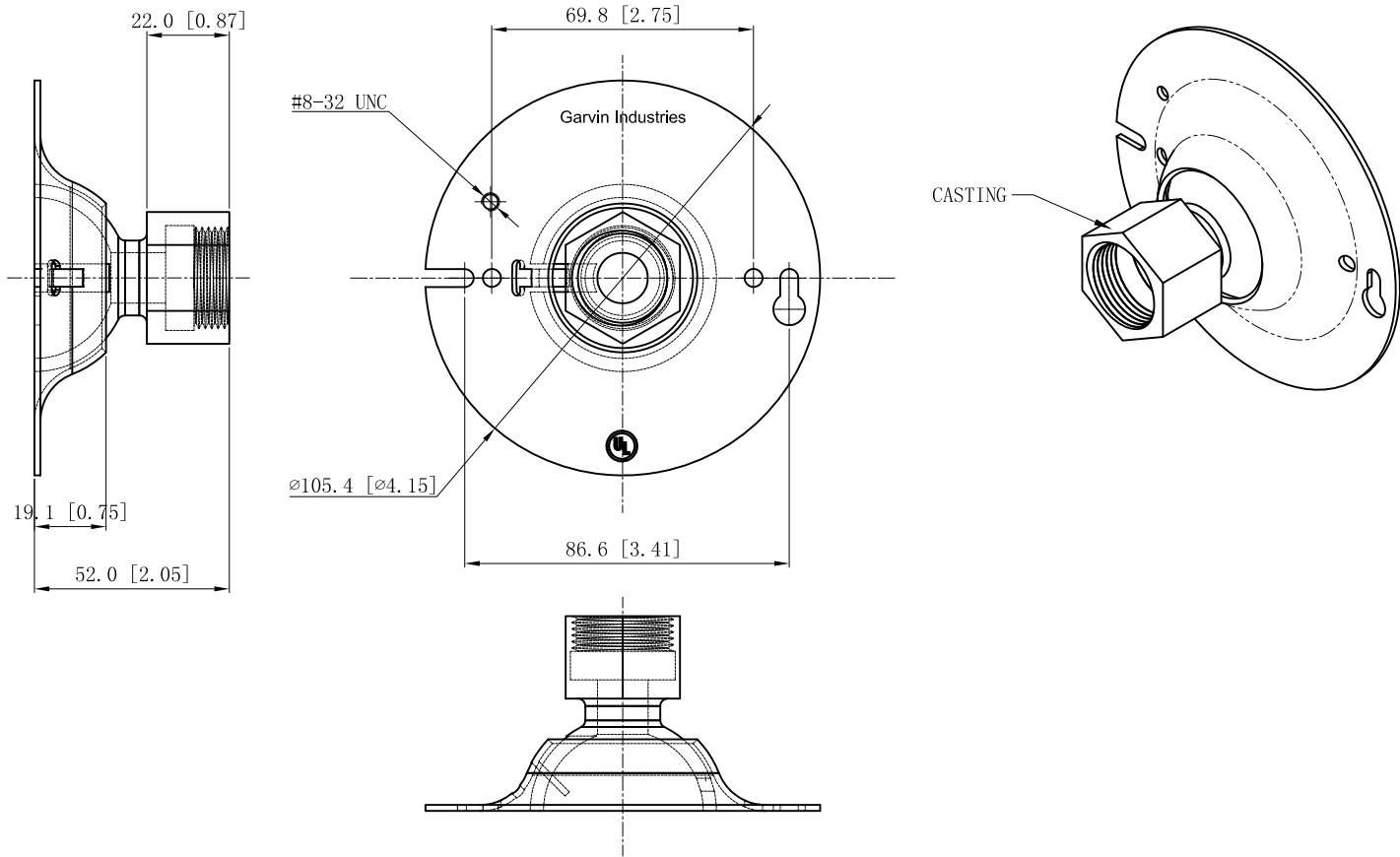


SIDES	BOTTOM
Material: Steel-0.0625"-G60 Galvanized	



DESCRIPTION
TRADE REFERENCE TERMS

This data sheet is for reference only .GARVIN INDUSTRIES reserves the right to make changes to the design without prior notice.

STANDARD PACKING
25 PCS

TITLE			REV
GARVIN INDUSTRIES			
4" SQ. SWIVEL FIXTURE			B
SIZE	DWG NO.		
A4	SC-75R		
DATA SHEET			