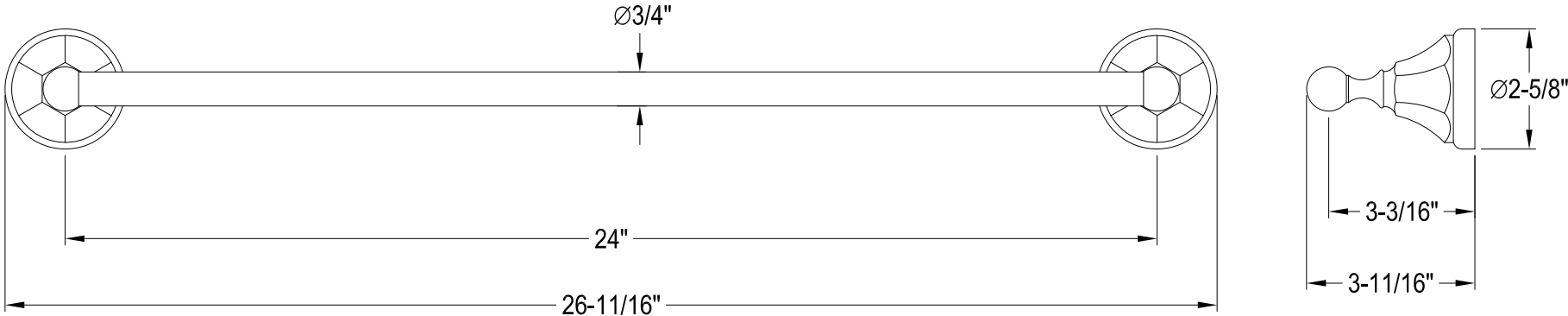


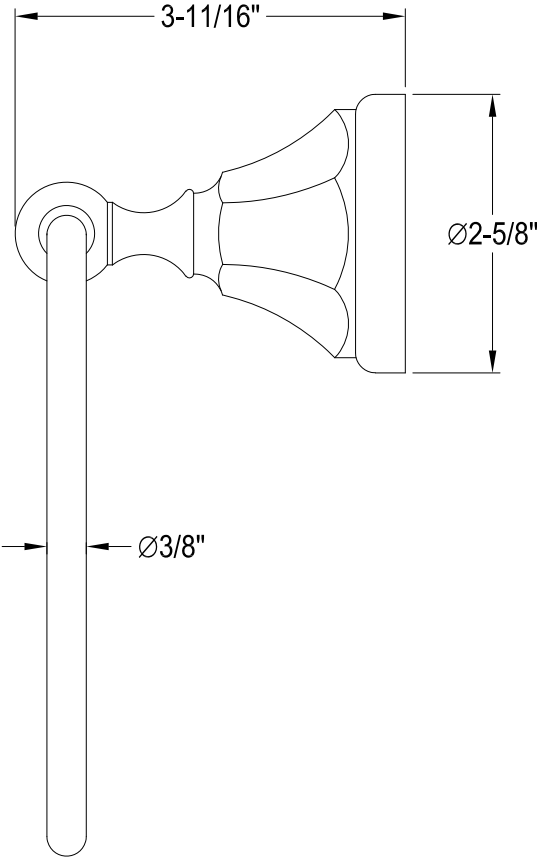
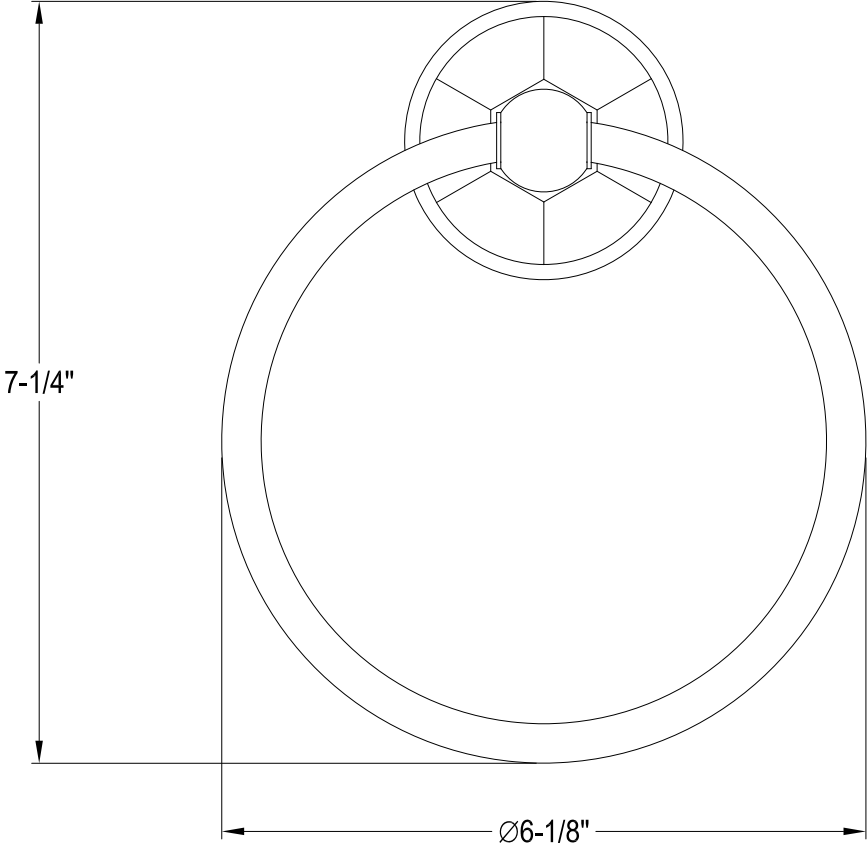
BA4811C,PB,AB,ORB,SN,BK

24" Towel Bar



BA4814C,PB,AB,ORB,SN,BK

Towel Ring



BA4818C,PB,AB,ORB,SN,BK

Toilet Paper Holder

