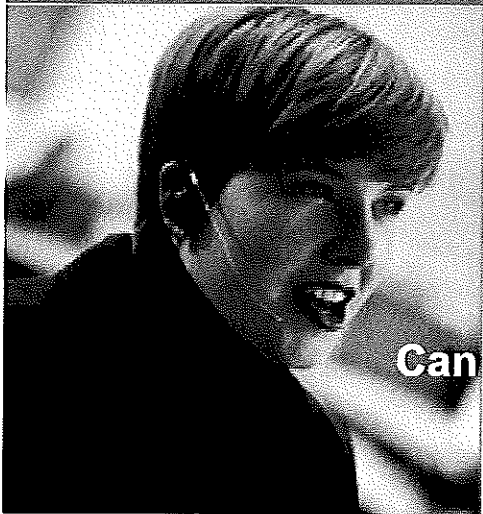


MODEL W1615C

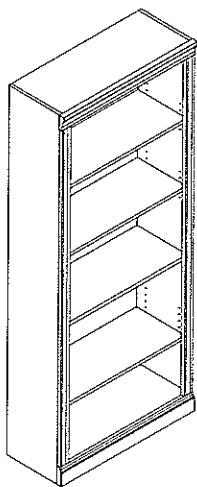


Can we help you?

THE BUSH BUSINESS FURNITURE

difference

- QUALITY
- INNOVATION
- SERVICE
- VALUE



A153357

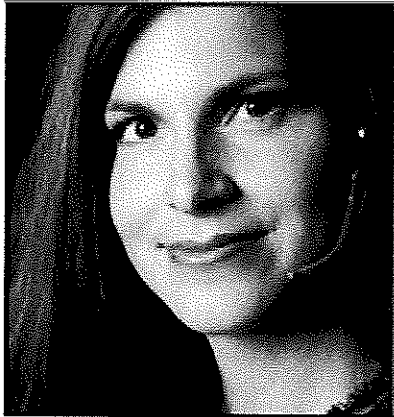


Thank you for purchasing this Bush Furniture product. We trust that you will be completely satisfied with your product for many years to come. Bush Furniture products are backed by a 6-year warranty and crafted with today's styles in mind for the way you work. **Do not return product to store, contact us first at 1-800-950-4782.**

Merci d'avoir acheté ce produit Bush Furniture. Nous sommes sûr que vous serez complètement satisfait de votre meuble pendant de nombreuses années. Les produits Bush Furniture sont garantis pendant 6 ans et sont conçus dans les styles actuels tout en gardant à l'esprit votre façon de travailler. **Ne renvoyez pas le produit au magasin, contactez-nous d'abord au 1-800-950-4782.**

Gracias por comprar este producto de Bush Furniture. Confiamos que usted estará completamente satisfecho con su mueble por muchos años. Los productos de Bush Furniture tienen 6 años de garantía y son diseñados con los estilos de hoy en mente para la manera que usted vive. **No devuelva el producto a la tienda, primero comuníquese con nosotros al 1-800-950-4782.**

6 Year
WARRANTY



M - F 8:30 a.m. - 9:30 p.m.

Sat. 9 a.m. - 5:30 p.m.

(Except Holidays)

Consumer Service Department

1111 Allen Street

Jamestown, NY 14702

ConsumerService@BushIndustries.com

1-800-950-4782 USA/CANADA

001-800-950-4782 MEXICO

Se habla español



www.bushfurniture.com

IT'S AS EASY AS 1,2,3

Assembly tips:

1. Read the instructions and become familiar with the parts.
2. Ensure this carton contains all parts, fasteners and hardware.
3. To protect floors, assemble the furniture on the carton.
4. An assistant may be helpful.
5. Use of power tools is not recommended.

Conseils d'assemblage:

1. Lisez les instructions et familiarisez-vous avec les pièces.
2. Assurez-vous que le carton contient toutes les pièces, toutes les pièces de fixation et toute la quincaillerie.
3. Pour protéger vos sols, assemblez le meuble sur le carton.
4. Il peut être utile de vous faire aider.
5. L'utilisation d'outils électriques n'est pas recommandée.

Consejos de Ensamblaje:

1. Lea las instrucciones y familiarícese con las partes.
2. Asegúrese de que esta caja contenga todas las piezas, los sujetadores y el equipo.
3. Para proteger el piso, ensamble el mueble en el carton.
4. Un asistente puede serle útil.
5. El uso de herramientas eléctricas no se recomienda.

CONSUMER SERVICE YOU CAN DEPEND ON

Questions? Operators are standing by at our TOLL-FREE help line to assist you with assembly; and, if necessary, to quickly replace damaged/missing parts. Assistance is available 6 days a week. Simply have your store receipt, instruction manual, and part number/description ready when you call our TOLL -FREE help line. It's that easy.

UN SERVICE CLIENTELE SUR LEQUEL VOUS POUVEZ COMPTER

Des questions? Des opérateurs sont prêts sur notre ligne d'assistance GRATUITE pour vous aider à l'assemblage et, si nécessaire, remplacer rapidement les pièces endommagées/manquantes. L'assistance est disponible 6 jours par semaine. Ayez simplement votre reçu de magasin, votre manuel d'instruction et le numéro de pièces/description à votre disposition lorsque vous appelez notre ligne d'assistance GRATUITE. C'est aussi simple que ça.

SERVICIO AL CONSUMIDOR CON EL QUE PUEDE CONTAR

¿Preguntas? Los operadores están listos para ayudarlo con el ensamblaje a través de una línea de ayuda GRATUITA, y en caso de ser necesario, reemplazar de inmediato las piezas dañadas o faltantes. La asistencia está disponible los 6 días de la semana. Solamente tenga listos su recibo de compra, manual de indicaciones y número/descripción de la pieza al momento de llamarnos a la línea de ayuda GRATUITA, Es a sí de sencillo.

IMPORTANT SAFETY INFORMATION



WARNING

Do not load unit without properly attaching back panel. Doing so could cause instability, product collapse, and/or serious injury.

No cargue esta unidad sin el panel de atrás. Hacerlo puede causar inestabilidad, que el producto se derrumbe, y/o heridas (golpes) serias.

Ne pas charger le produit sans attacher correctement le panneau arrière. Faire ainsi peut causer l'instabilité ou l'effondrement du produit et peut vous causer des endommagements sérieux.



WARNING

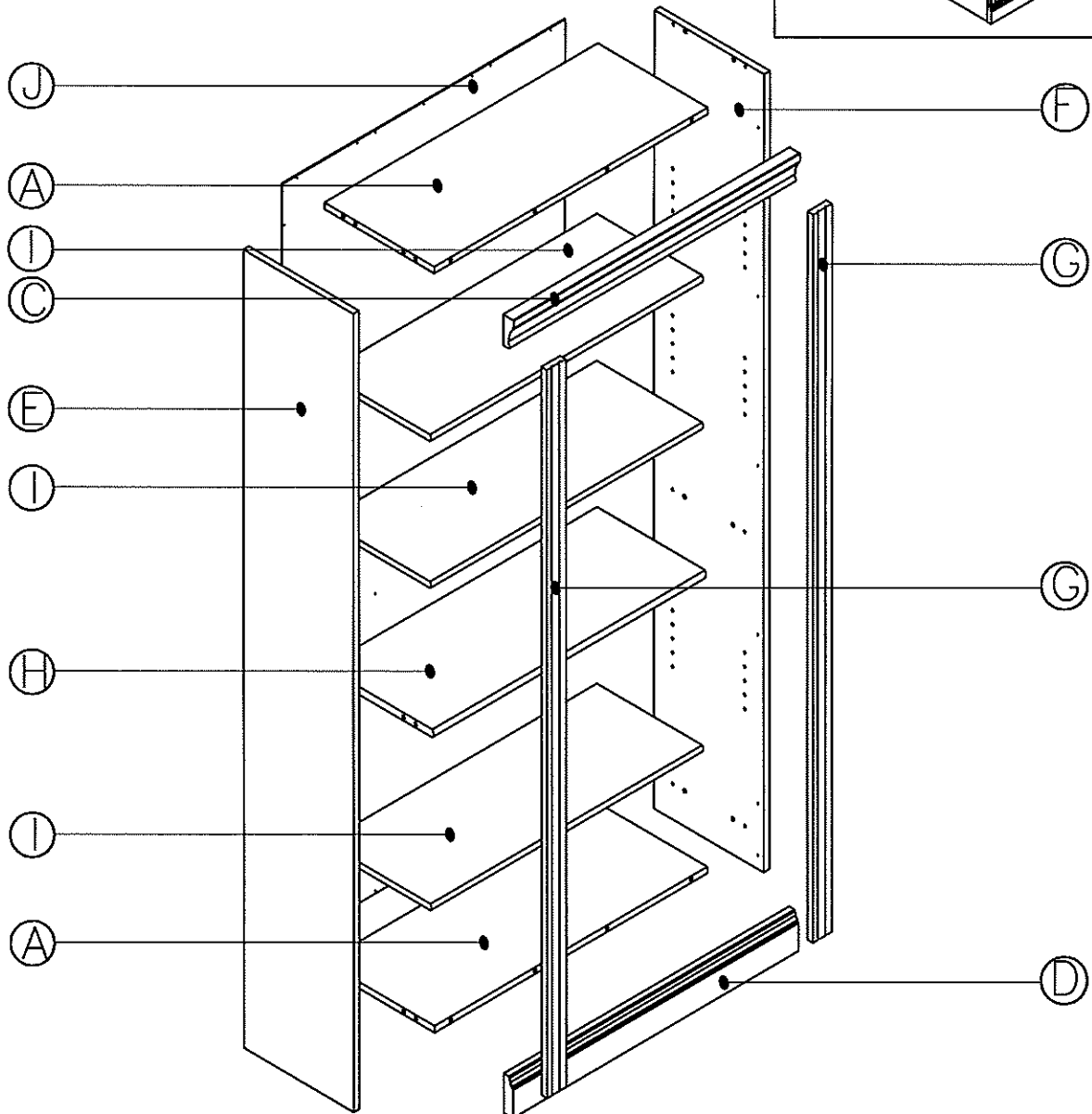
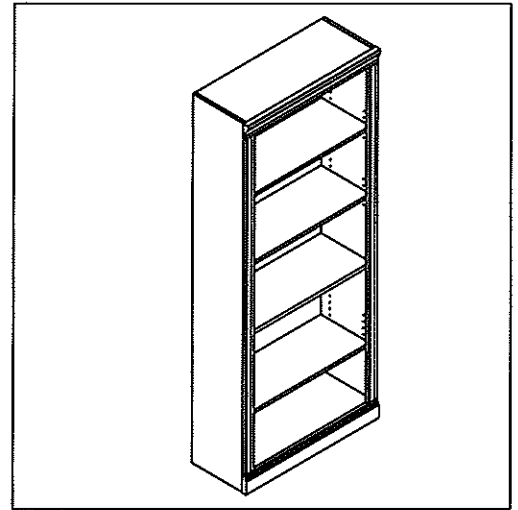
Do not move unit when loaded. Doing so could cause instability, product collapse, tip over, and/or serious injury.

No mueva la unidad cuando esté cargada. Hacerlo puede causar inestabilidad, que el producto se derrumbe, que se la caiga encima y/o heridas (golpes) serias.

Ne pas déplacer l'unité lorsqu'elle est chargée. Faire ainsi peut causer l'instabilité, l'effondrement ou le renversement du meuble et/ou des endommagements sérieux.

EXPLODED VIEW

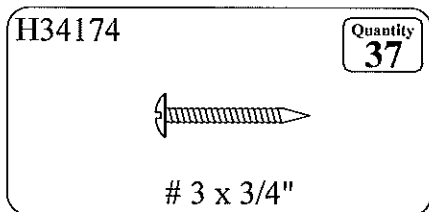
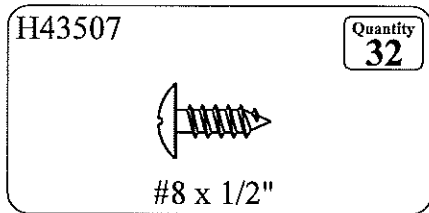
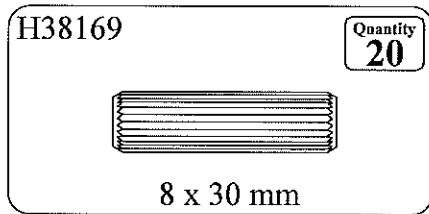
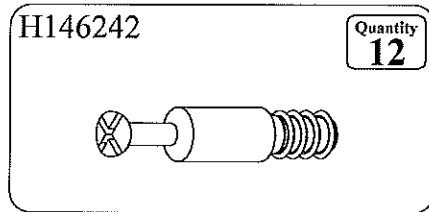
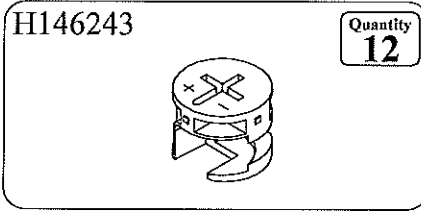
- | | | | | | |
|---|-----|---------|---|-----|---------|
| A | [2] | W153358 | G | [2] | W153363 |
| C | [1] | W153359 | H | [1] | W153402 |
| D | [1] | W153360 | I | [3] | W153403 |
| E | [1] | W153361 | J | [1] | W153404 |
| F | [1] | W153362 | | | |



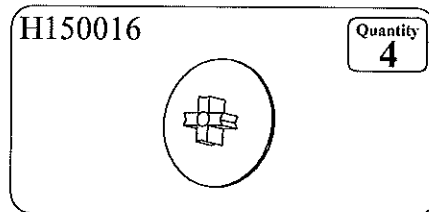
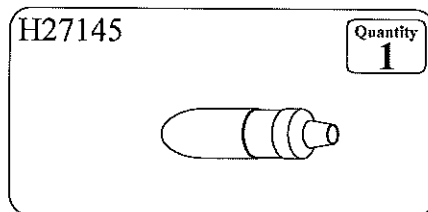
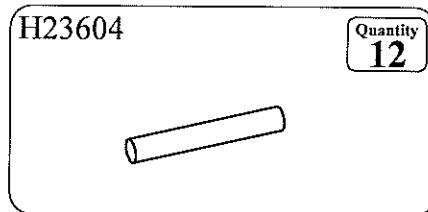
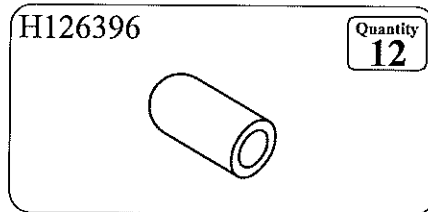
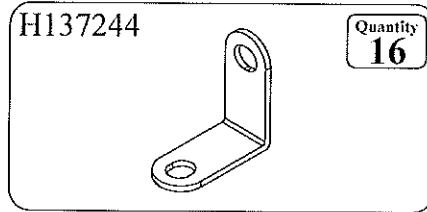
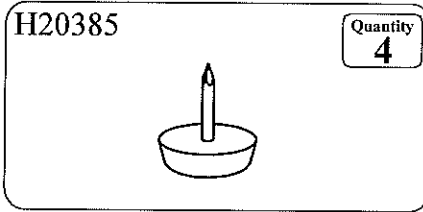
? 1 - 800 - 950 - 4782

A153357

FASTENERS

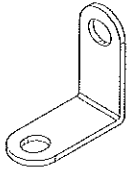


HARDWARE



STEP 1

H137244

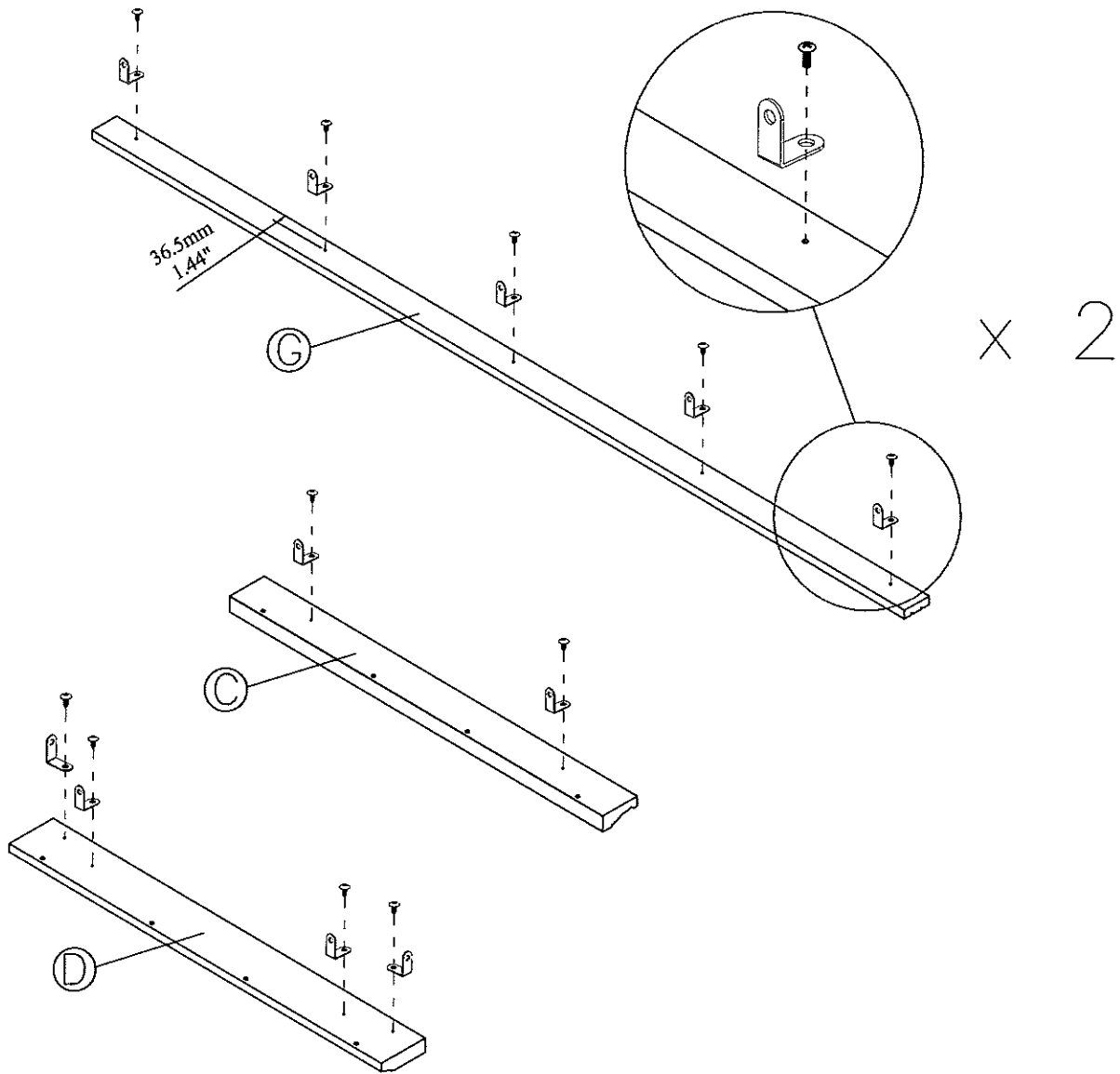


[16]

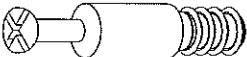
H43507

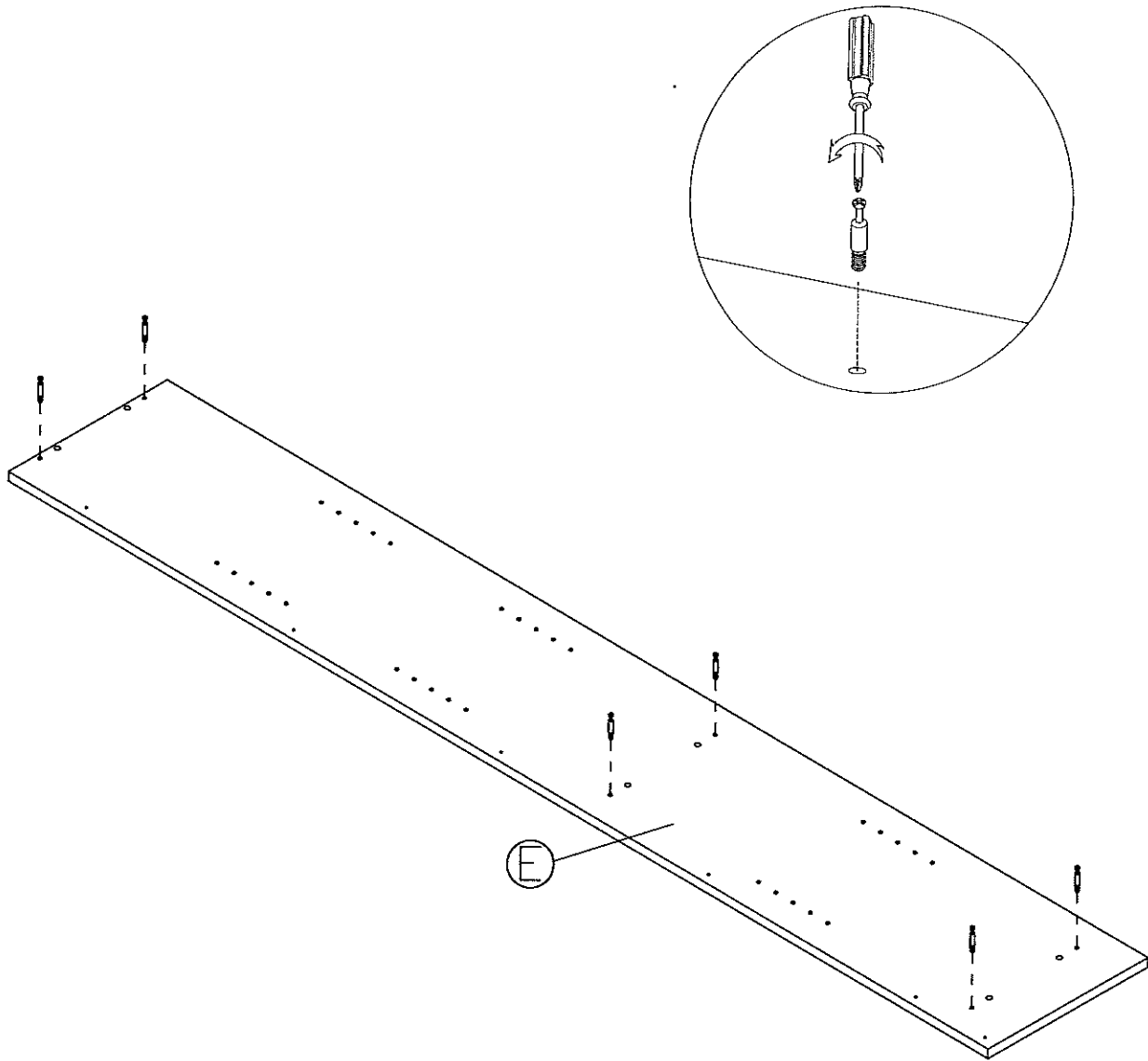


[16]



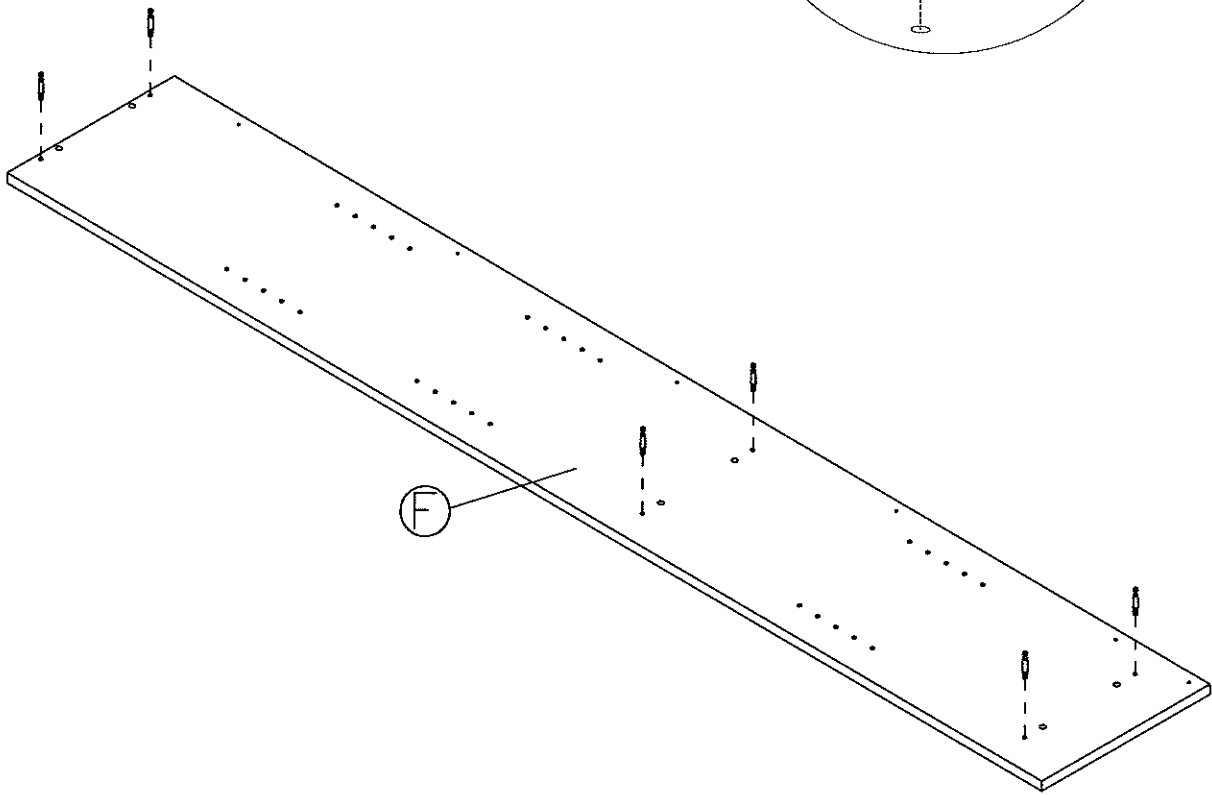
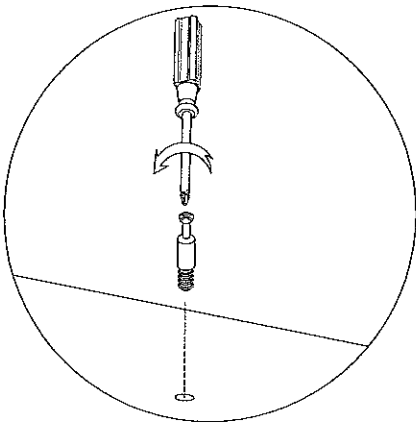
STEP 2

H148202  [6]



STEP 3

H148202  [6]



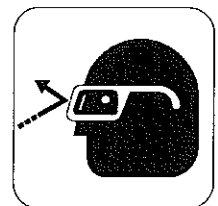
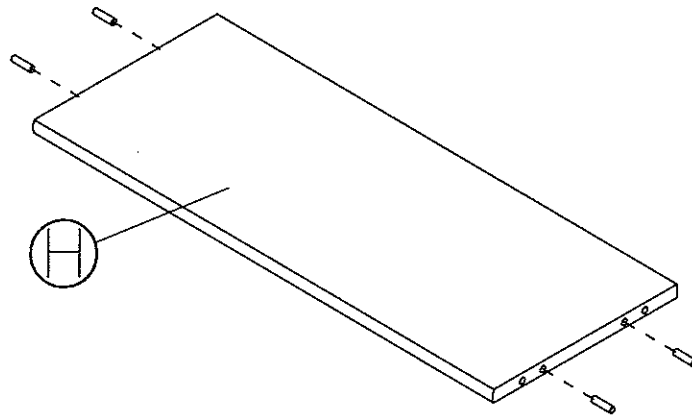
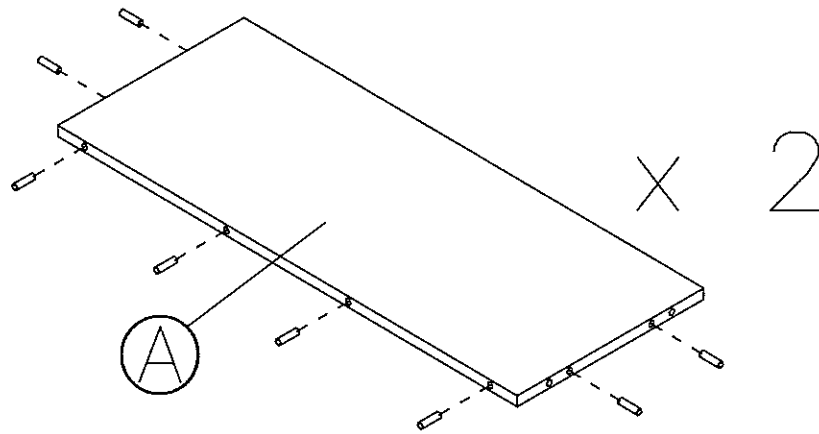
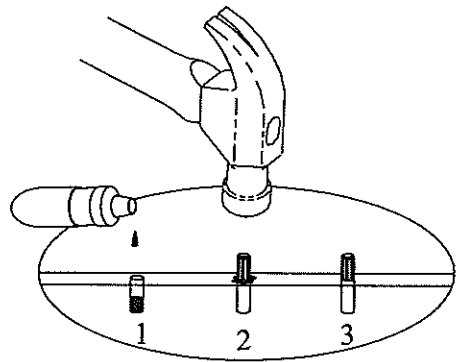
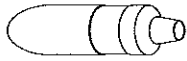
STEP 4

H38169



[20]

H27145

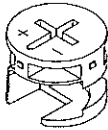


? 1 - 800 - 950 - 4782

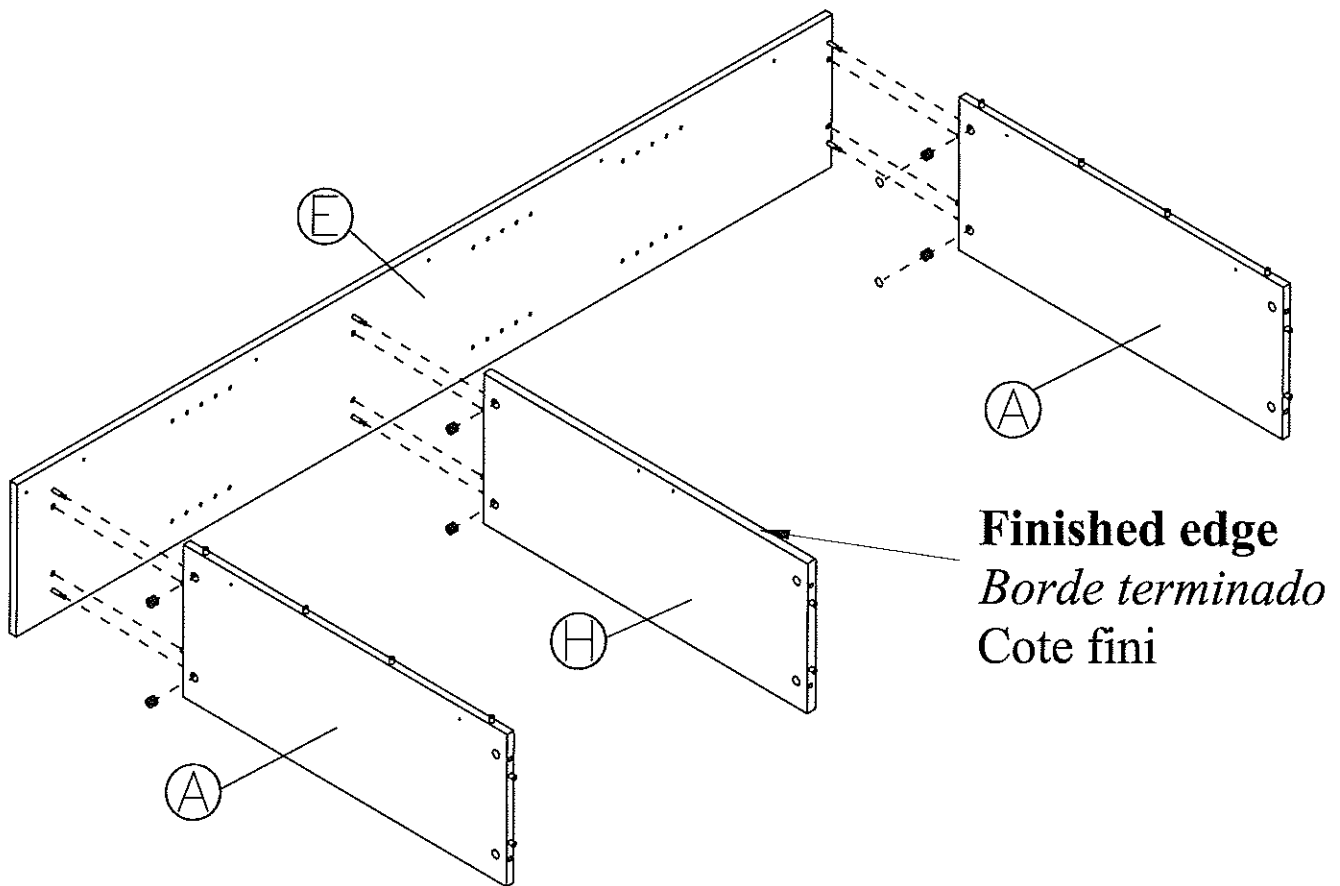
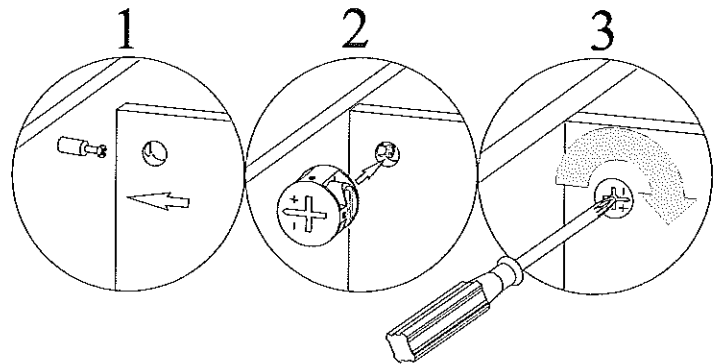
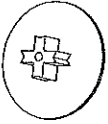
A153357

STEP 5

H146243 [6]



H150016 [2]



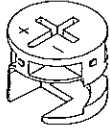
An assistant may be required.

Un asistente puede ser necesario.

L'aide d'une autre personne peut s'avérer nécessaire.

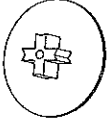
STEP 6

H146243

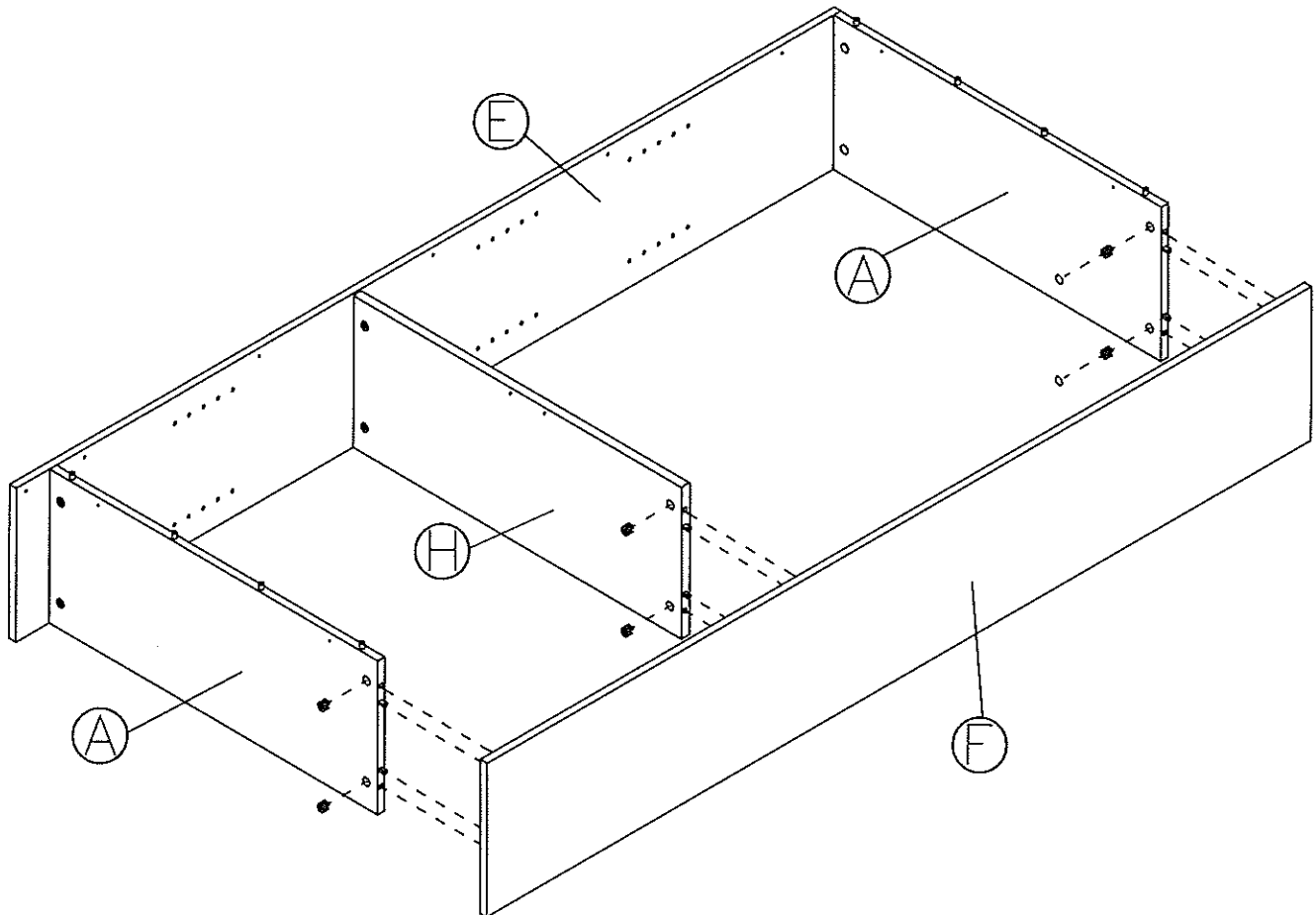
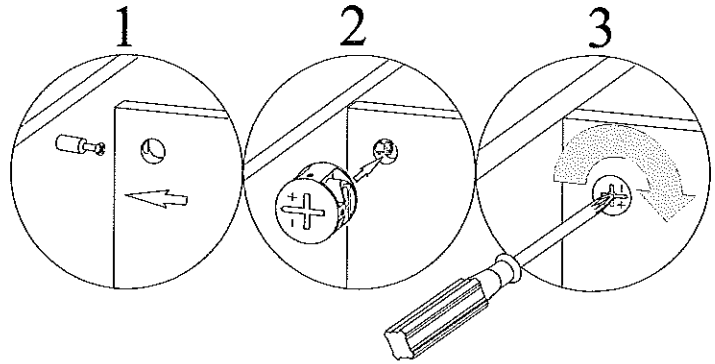


[6]

H150016



[2]



An assistant may be required.

Un asistente puede ser necesario.

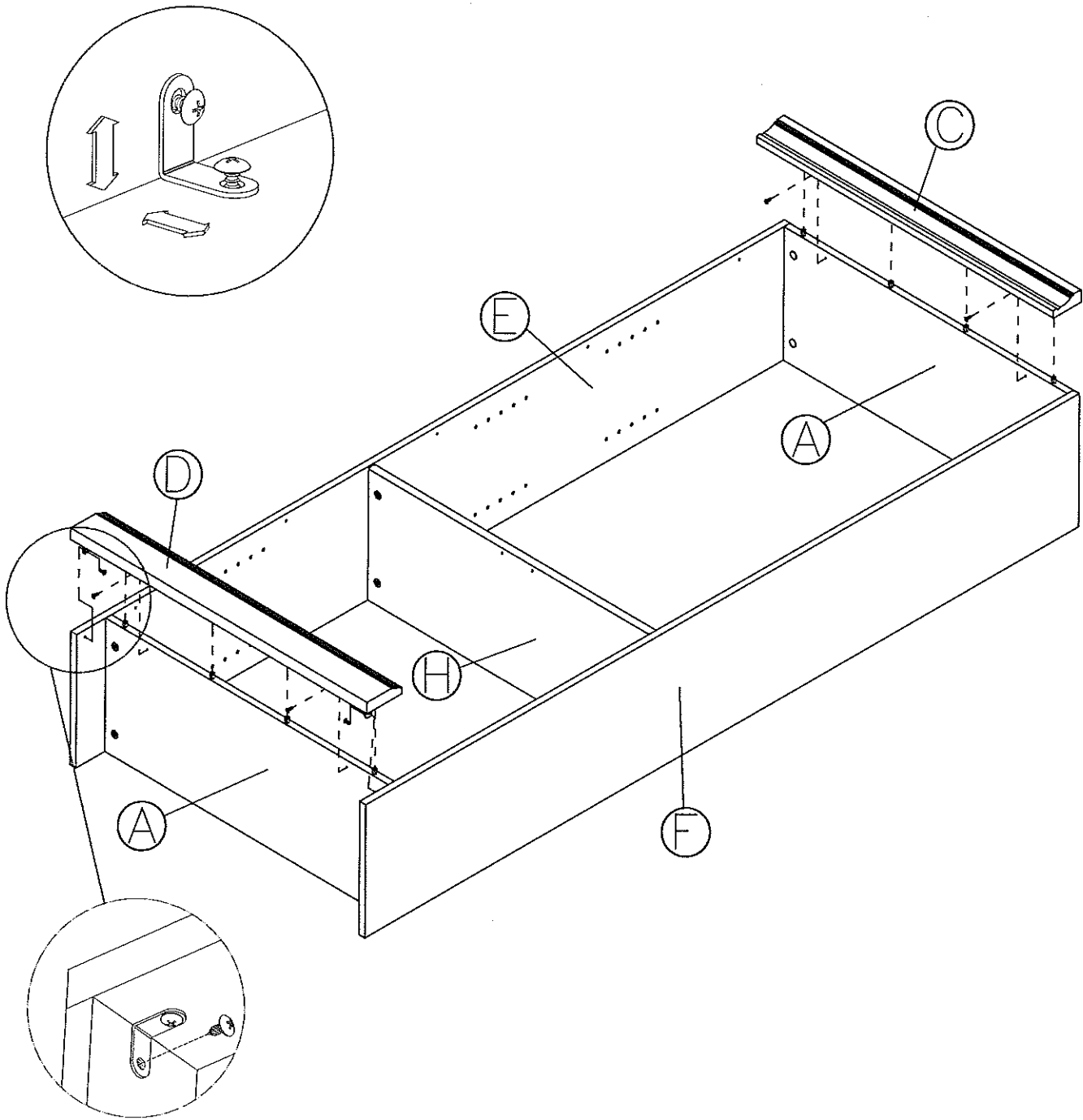
L'aide d'une autre personne peut s'avérer nécessaire.

STEP 7

H43507



[6]

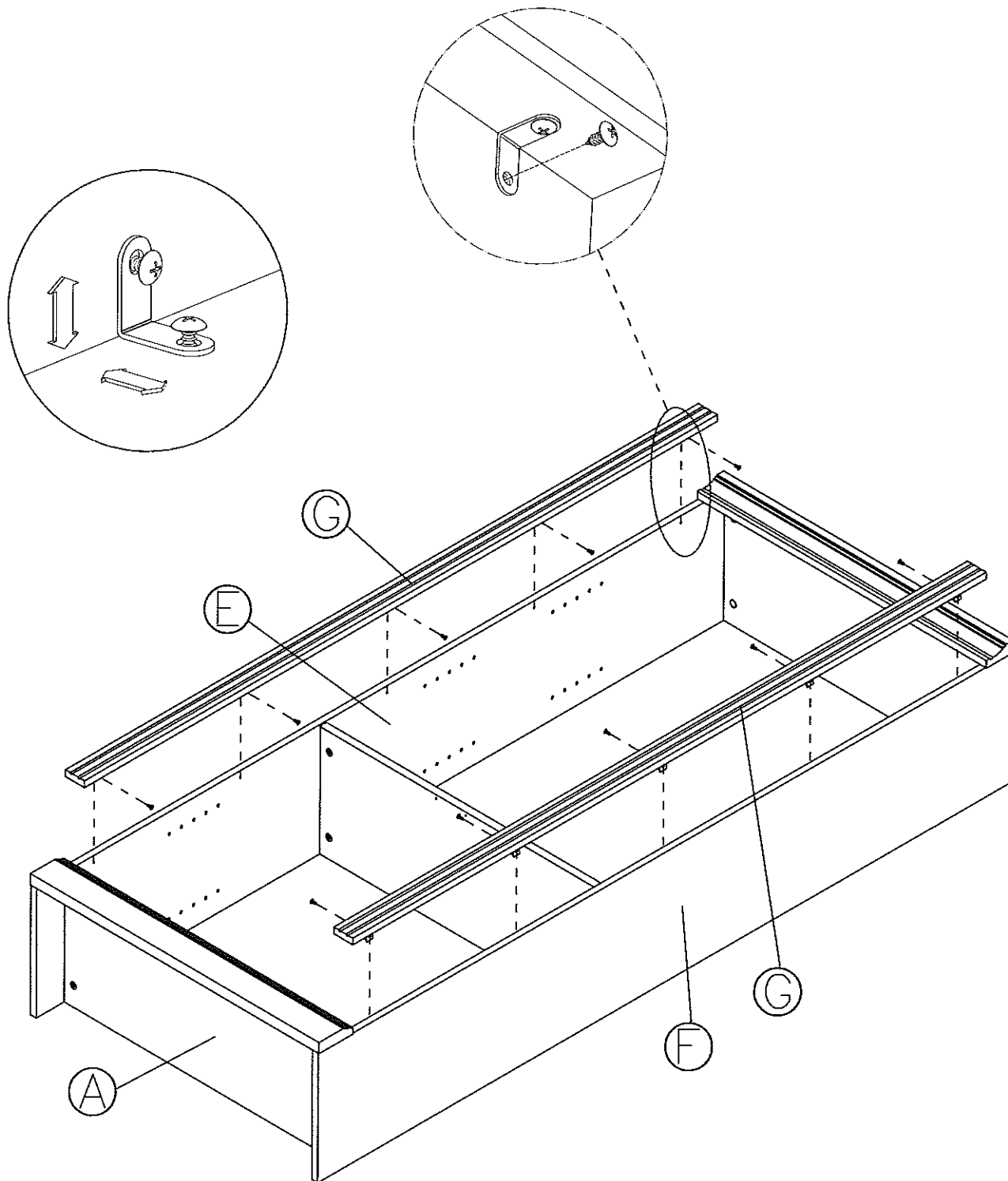


? 1 - 800 - 950 - 4782

A153357

STEP 8

H43507  [10]



? 1 - 800 - 950 - 4782

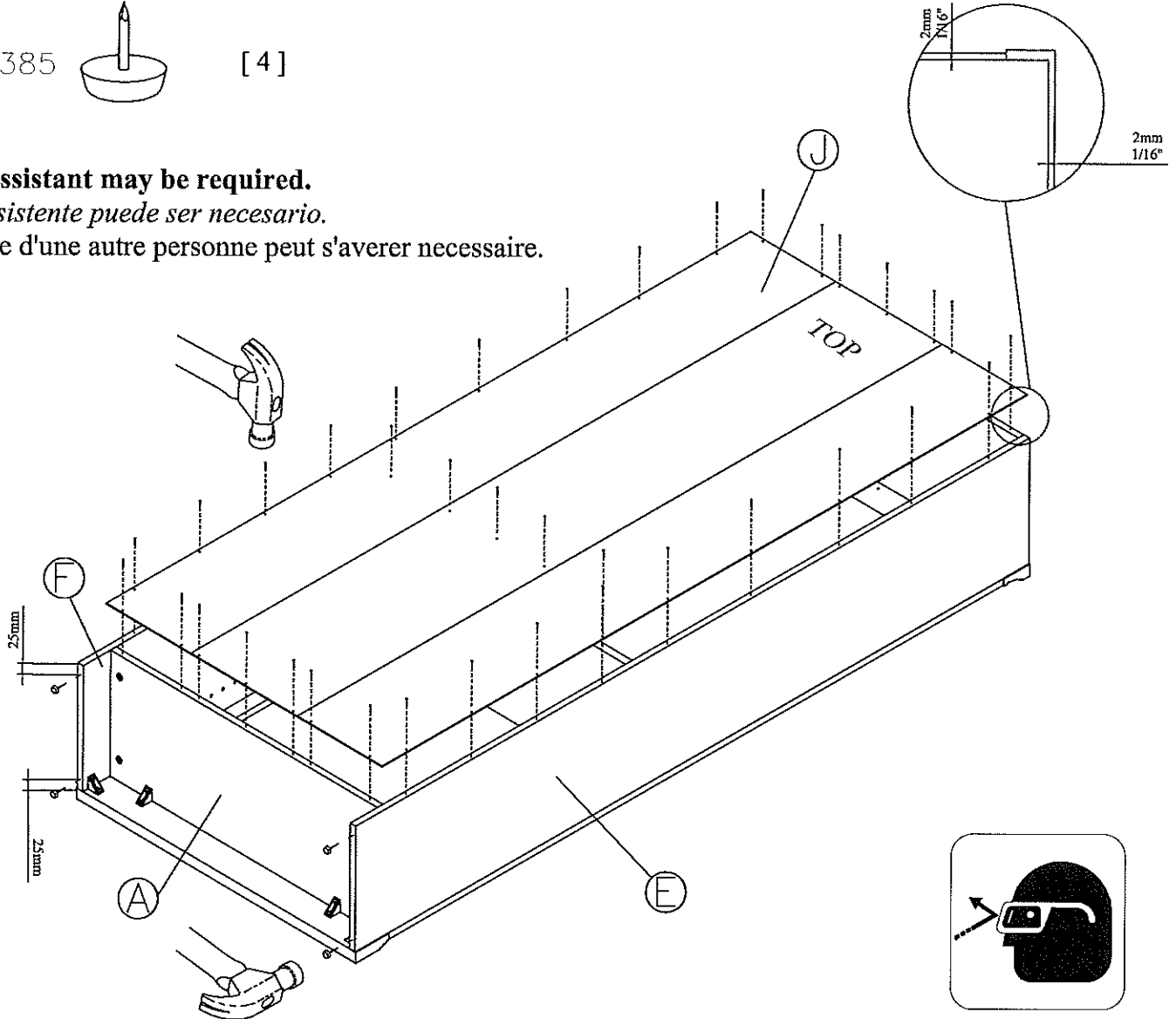
A153357

STEP 9

H43147  [37]

H20385  [4]

An assistant may be required.
Un asistente puede ser necesario.
L'aide d'une autre personne peut s'averer necessaire.



WARNING

Do not load unit without properly attaching back panel. Doing so could cause instability, product collapse and/or serious injury.

No cargue esta unidad sin el panel de atrás. Hacerlo puede causar inestabilidad, que el producto se derrumbe, y/o heridas (golpes) serias.

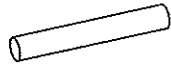
Ne pas charger le produit sans attacher correctement le panneau arrière. Faire ainsi peut causer l'instabilité ou l'effondrement du produit et peut vous causer des endommagements sérieux.

? 1 - 800 - 950 - 4782

A153357

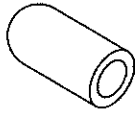
STEP 10

H23604



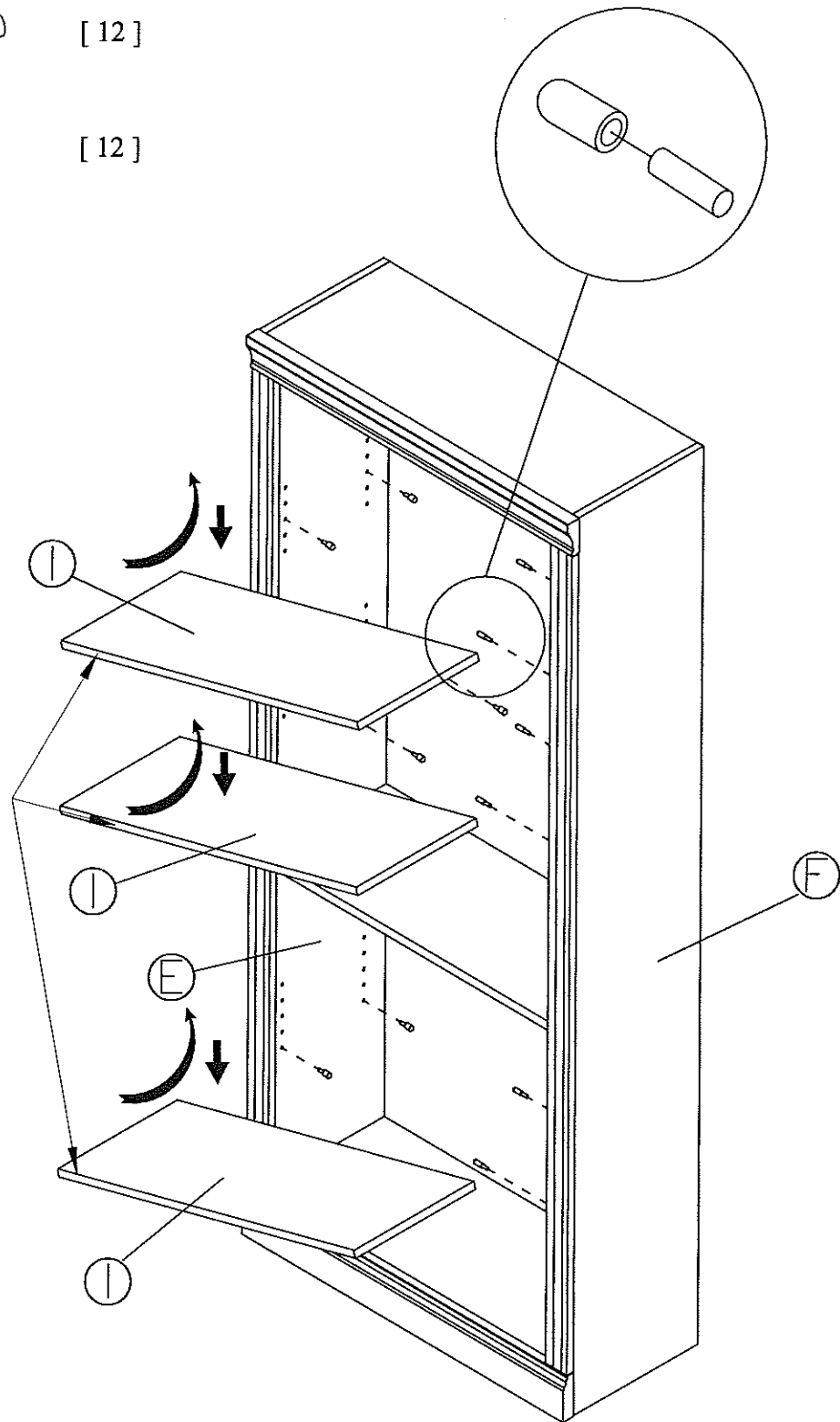
[12]

H126396



[12]

Finished edge
Borde terminado
Cote fini

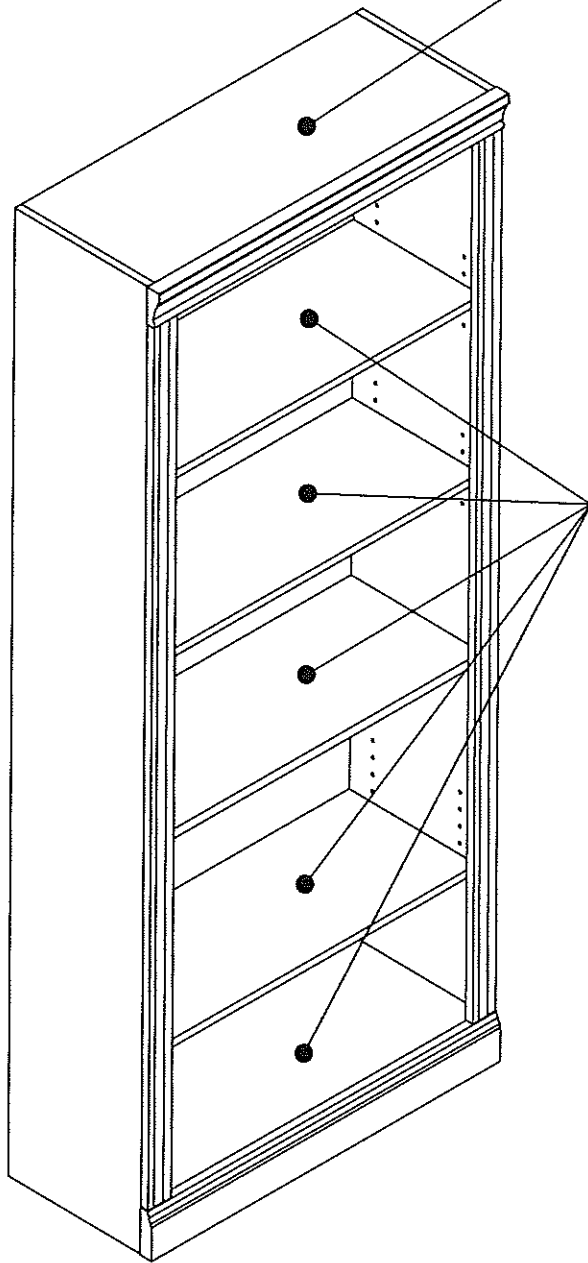


STEP 11

Maximum Weight: 0 Lbs.

Peso Máximo: 0 Libras

Poids Maximum: 0 Kilogramme



Maximum Weight: 25 Lbs.

Peso Máximo: 25 Libras

Poids Maximum: 11.3 Kilogramme



WARRANTY INFORMATION/INFORMATIONS POUR LA GARANTIE/INFORMACIÓN DE GARANTÍA

READ THESE TERMS OF WARRANTY TO YOU

It is our policy to provide you with the highest quality products. We warrant that the materials and workmanship of our products are of the highest quality. We warrant that our products are free from defects in materials and workmanship for a period of one year from the date of purchase. This warranty does not cover normal wear and tear or damage caused by misuse, accident, or fire. For more information, please contact our customer service department at 1-800-850-2727.

This warranty is in full and exclusive of any other warranties. It is the policy of our company to provide you with the highest quality products.

We warrant that the product is free from defects in materials and workmanship for a period of one year from the date of purchase. This warranty does not cover normal wear and tear or damage caused by misuse, accident, or fire.

We warrant that the product is free from defects in materials and workmanship for a period of one year from the date of purchase. This warranty does not cover normal wear and tear or damage caused by misuse, accident, or fire.

This warranty is in full and exclusive of any other warranties. It is the policy of our company to provide you with the highest quality products. We warrant that the product is free from defects in materials and workmanship for a period of one year from the date of purchase. This warranty does not cover normal wear and tear or damage caused by misuse, accident, or fire.

PLEASE CONTACT US IMMEDIATELY IF YOU NOTICE ANY DEFECTS IN THE PRODUCT. WE WILL NOT BE RESPONSIBLE FOR DEFECTS THAT ARE NOT REPORTED TO US WITHIN THE WARRANTY PERIOD. WE WILL NOT BE RESPONSIBLE FOR DEFECTS THAT ARE CAUSED BY MISUSE, ACCIDENT, OR FIRE. FOR MORE INFORMATION, PLEASE CONTACT OUR CUSTOMER SERVICE DEPARTMENT AT 1-800-850-2727.

This warranty is in full and exclusive of any other warranties. It is the policy of our company to provide you with the highest quality products.

PLEASE CONTACT US IMMEDIATELY IF YOU NOTICE ANY DEFECTS IN THE PRODUCT

It is our policy to provide you with the highest quality products. We warrant that the materials and workmanship of our products are of the highest quality. We warrant that our products are free from defects in materials and workmanship for a period of one year from the date of purchase. This warranty does not cover normal wear and tear or damage caused by misuse, accident, or fire. For more information, please contact our customer service department at 1-800-850-2727.

This warranty is in full and exclusive of any other warranties. It is the policy of our company to provide you with the highest quality products.

We warrant that the product is free from defects in materials and workmanship for a period of one year from the date of purchase. This warranty does not cover normal wear and tear or damage caused by misuse, accident, or fire.

We warrant that the product is free from defects in materials and workmanship for a period of one year from the date of purchase. This warranty does not cover normal wear and tear or damage caused by misuse, accident, or fire.

This warranty is in full and exclusive of any other warranties. It is the policy of our company to provide you with the highest quality products. We warrant that the product is free from defects in materials and workmanship for a period of one year from the date of purchase. This warranty does not cover normal wear and tear or damage caused by misuse, accident, or fire.

PLEASE CONTACT US IMMEDIATELY IF YOU NOTICE ANY DEFECTS IN THE PRODUCT. WE WILL NOT BE RESPONSIBLE FOR DEFECTS THAT ARE NOT REPORTED TO US WITHIN THE WARRANTY PERIOD. WE WILL NOT BE RESPONSIBLE FOR DEFECTS THAT ARE CAUSED BY MISUSE, ACCIDENT, OR FIRE. FOR MORE INFORMATION, PLEASE CONTACT OUR CUSTOMER SERVICE DEPARTMENT AT 1-800-850-2727.

This warranty is in full and exclusive of any other warranties. It is the policy of our company to provide you with the highest quality products.

PLEASE CONTACT US IMMEDIATELY IF YOU NOTICE ANY DEFECTS IN THE PRODUCT

It is our policy to provide you with the highest quality products. We warrant that the materials and workmanship of our products are of the highest quality. We warrant that our products are free from defects in materials and workmanship for a period of one year from the date of purchase. This warranty does not cover normal wear and tear or damage caused by misuse, accident, or fire. For more information, please contact our customer service department at 1-800-850-2727.

This warranty is in full and exclusive of any other warranties. It is the policy of our company to provide you with the highest quality products.

We warrant that the product is free from defects in materials and workmanship for a period of one year from the date of purchase. This warranty does not cover normal wear and tear or damage caused by misuse, accident, or fire.

We warrant that the product is free from defects in materials and workmanship for a period of one year from the date of purchase. This warranty does not cover normal wear and tear or damage caused by misuse, accident, or fire.

This warranty is in full and exclusive of any other warranties. It is the policy of our company to provide you with the highest quality products. We warrant that the product is free from defects in materials and workmanship for a period of one year from the date of purchase. This warranty does not cover normal wear and tear or damage caused by misuse, accident, or fire.

PLEASE CONTACT US IMMEDIATELY IF YOU NOTICE ANY DEFECTS IN THE PRODUCT. WE WILL NOT BE RESPONSIBLE FOR DEFECTS THAT ARE NOT REPORTED TO US WITHIN THE WARRANTY PERIOD. WE WILL NOT BE RESPONSIBLE FOR DEFECTS THAT ARE CAUSED BY MISUSE, ACCIDENT, OR FIRE. FOR MORE INFORMATION, PLEASE CONTACT OUR CUSTOMER SERVICE DEPARTMENT AT 1-800-850-2727.

This warranty is in full and exclusive of any other warranties. It is the policy of our company to provide you with the highest quality products.

PLEASE RETAIN THIS FOR YOUR RECORDS/VEUILLEZ CONSERVER CECI POUR VOS ARCHIVES/POUR RAYON CONSERVE ESTE DOCUMENTO PARA SUS REGISTROS

You may need to refer to this information in case of a warranty claim for your product.
Vous pourriez avoir besoin de ces informations en cas de réclamation de garantie pour votre achat.
Puede necesitar referirse a esta información en caso de alguna reclamación de garantía con fines de reclamo al seguro.

Date Purchased/Date d'achat/Fecha de la Compra: _____

Store Name/Nom du magasin/Nombre de la Tienda: _____

Model #/Modèle #/Modelo #: _____

Product Description/Description du produit/Descripción del Producto: _____

Lot Code _____