





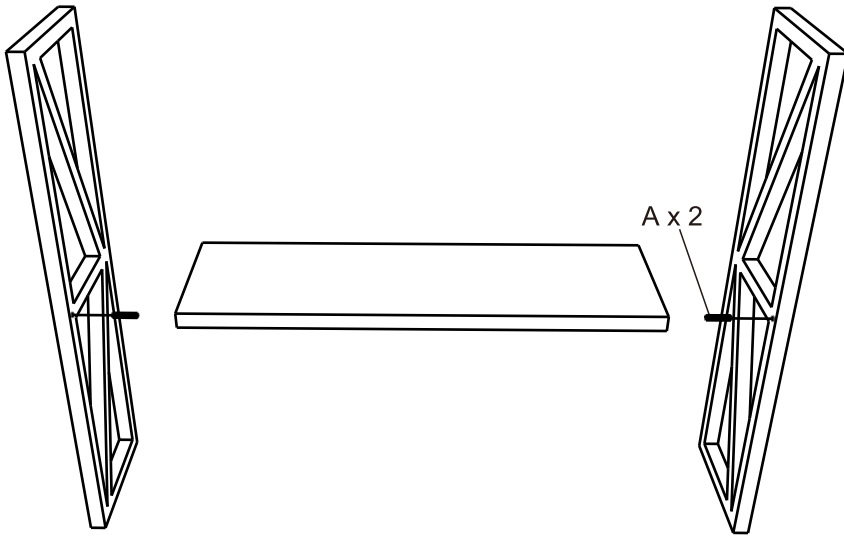
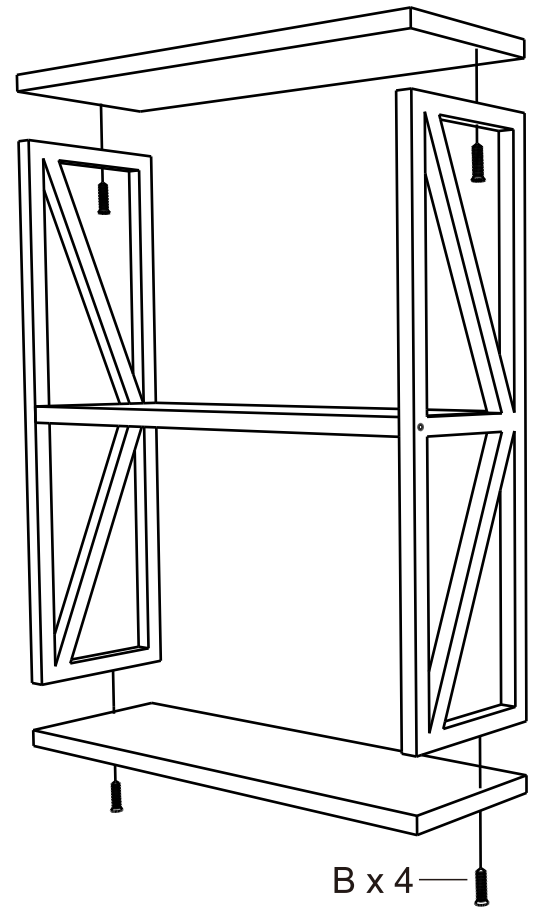


A	Dowel		2pcs
B	Screw		14pcs
C	Anchor		2pcs

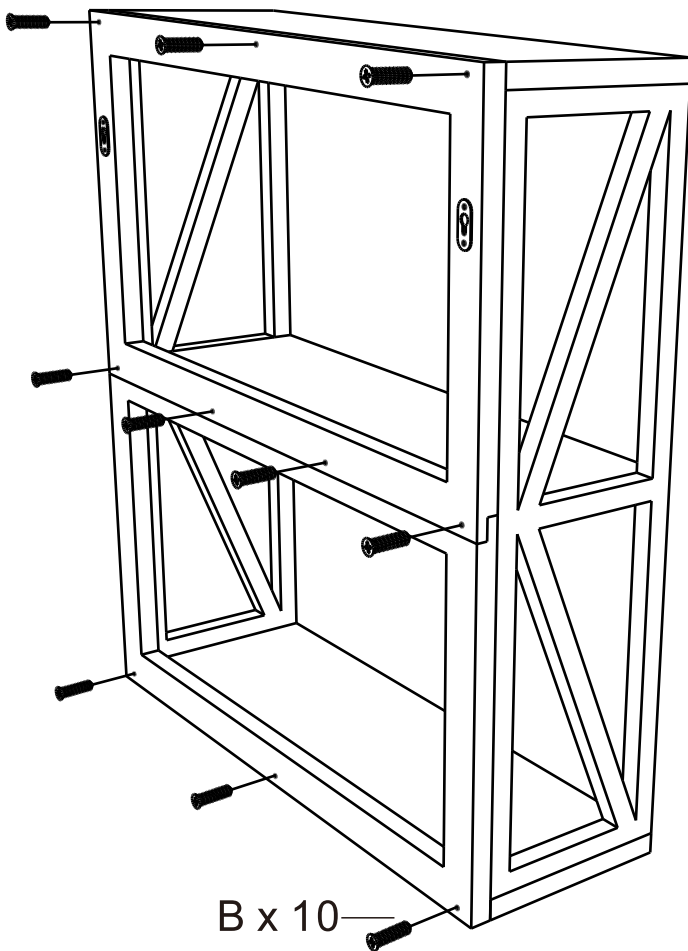
1		3pcs
2		2pcs
3		2pcs



**STEP 1**



**STEP 2**



**STEP 3**