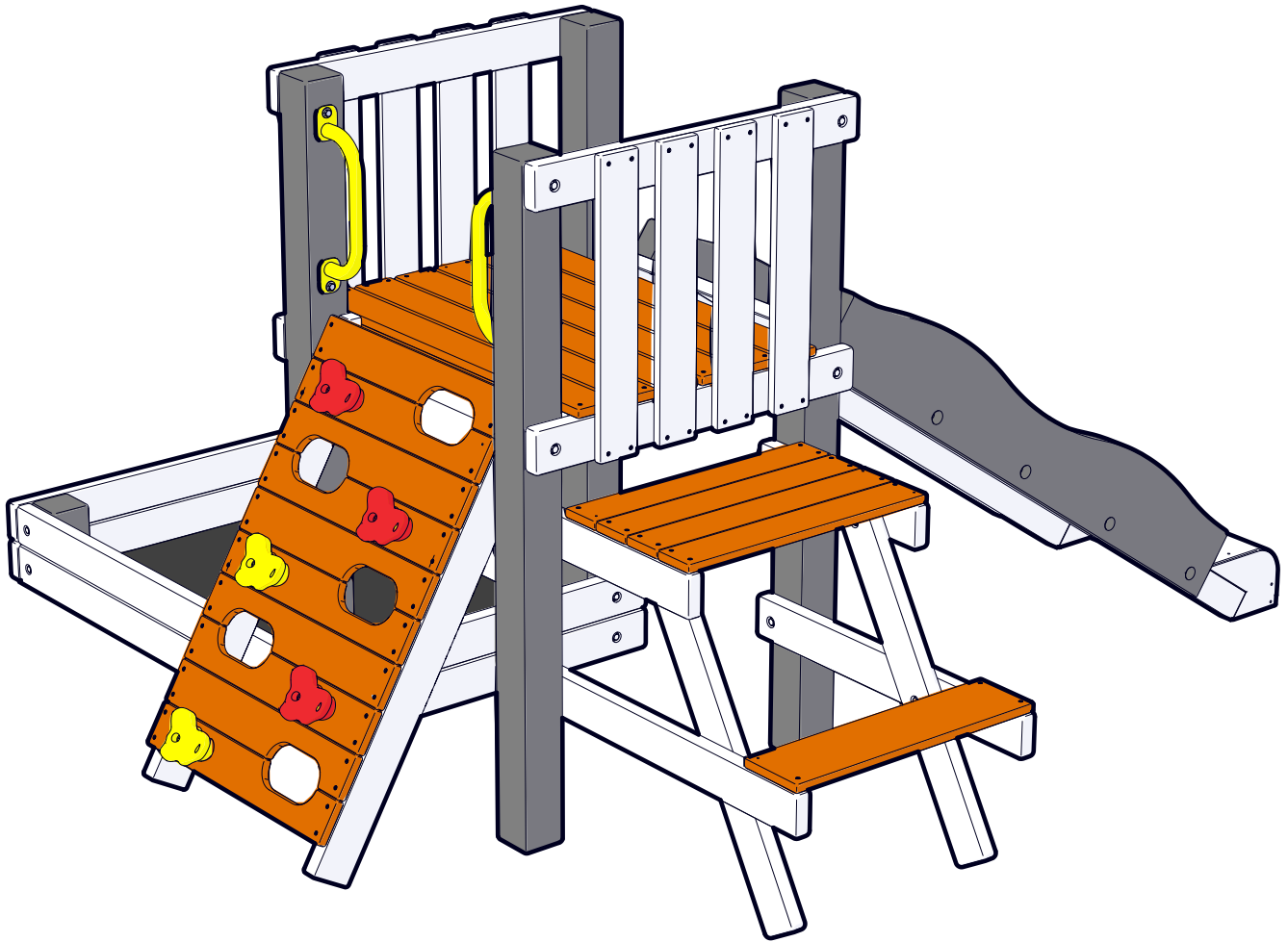


JACK & JUNE

JJ-MINI

(TODDLER PLAYSET SET)



2L-7980-00

I N T R O D U C T I O N

Choosing A Location For Your Playset

When selecting your structure site, always keep the child's safety in mind. Here are some recommendations to help you create a safe play area.

A. The playset should be located on level ground. The stationary components are **REQUIRED** to be a minimum of six feet from any structure or obstruction such as a fence, garage, house, tree or overhanging branches, electrical wires or clotheslines.

Any swinging equipment is also **REQUIRED** to be a minimum distance twice the height of the swing beam away from these obstructions or structures as well. We also recommend that you do not install your playset near a lake, river, swimming pool or other water hazard.

B. The U.S. Consumer Product Safety Commission (CPSC) recommends that you install and maintain a resilient surface under your play equipment. The CPSC's Consumer Information Sheet for Playground Surfacing Materials at the end of this manual. A resilient surface, should be installed after the equipment has been completely assembled according to these instructions. The equipment must rest on solid ground. Please note that this product has a maximum fall height of 8'.

Do not install home playground equipment indoors, or over concrete, asphalt, packed earth, grass, carpet or any other hard surface. A fall onto a hard surface can result in serious or fatal injury.

Responsible on-site adult supervision is one of the most important contributions to children's safety that you can make. Jack & June strongly recommends on-site adult supervision of children of all ages. Safe swinging skills need to be taught to children, just like any other physical activity.

The weight limit for any single user on Jack & June play equipment is 105 pounds. Limit the number of users to one on each swing.

When the time comes to disassemble and dispose of the play equipment, do so in such a way that no hazards will exist at the time the equipment is discarded.

Maintaining Your Playset

Here are some maintenance tips required to insure safe enjoyment of your equipment for years to come.

A. At the beginning of each usage season and every two weeks during, check: nuts and bolts and tighten as needed, swing seats, chains, and wood components for signs of deterioration and replace if necessary.

B. On a yearly basis, we recommend that you coat your playset with a sealant or preservative. You may also want to spot sand any areas prior to sealing. Be sure that the sealant you select is non-toxic and child safe.

C. Remove plastic swing seats and take indoors or do not use when the temperature drops below 0° F.

**If you have any questions about your playset, or are in need of replacement parts, call 1-800-GO-SWING.
Please keep these instructions for future reference.**

S A F E T Y I N S T R U C T I O N S

WARNING

-Use only construction grade, pressure treated lumber. 4x4's should be a minimum of 3.5" x 3.5" and 4x6's should be a minimum of 3.5" x 5.5".

-Follow manufacturer's instructions for all accessories for spacing and weight requirements.

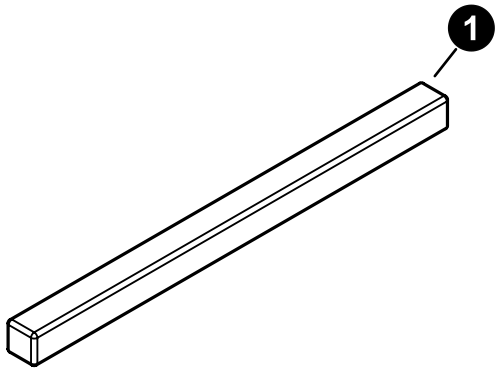
Teach Children:

- Not to walk close to, in front of, behind, or between moving items.
- Not to twist the swing ropes, or loop them over the top support bar, since this may reduce the strength of the rope.
- Not to swing empty swing seats.
- Not to swing sideways into the path of adjacent swings.
- Not to use the equipment in a manner other than that for which it is intended.
- Not to get off the equipment while it is in motion.
- Not to swing when they are wet or when the equipment is wet.
- To sit in the center of the swings with their full weight on the seats.
- To hold on to swings with both hands.
- Not to stand in the swing seats.
- Not to ride or leave bicycles or other toys in the swing area.
- Not to use hammers, saws, nails, or wrenches on the equipment.
- Not to swing so high that chains become slack, or above the height of the swing support.
- Not to climb on top of the swing support.
- Not to attach to the playground equipment any item that is not specifically designed for use with the equipment, such as (but not limited to) jump ropes, clotheslines, pet leashes, cables, and chains. These may become strangulation hazards.
- To watch for other children while swinging or playing near the equipment.

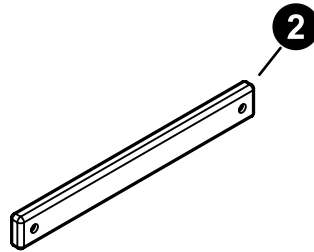
In Addition, Adults Must:

- Limit swinging heights to each child's ability.
- Dress children appropriately for play. Use well-fitting shoes that do not have slippery soles.
- Do not allow children to play wearing helmets.
- Avoid ponchos, scarves, hoods, loose-fitting clothing, neckties, and any clothing with a drawstring. Serious injury could result should any part of the children's clothing become entangled in the equipment.
- Remember that children are inventive. When they develop games that are unsafe, be alert and change the rules.

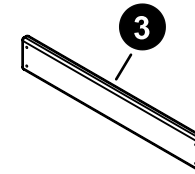
PARTS LIST (NOT ACTUAL SIZE)



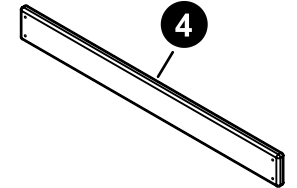
Corner Post
PG-44-0086
QTY. 4



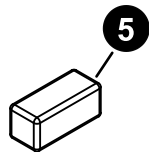
Deck Support/Side panel Support
PG-24-0074
QTY. 6



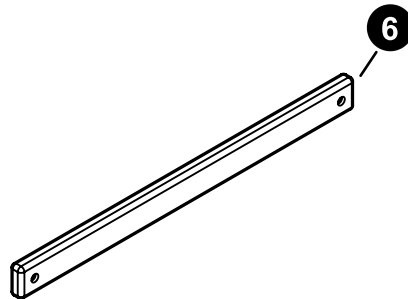
Side Panel Board
PG-14-0034
QTY. 8



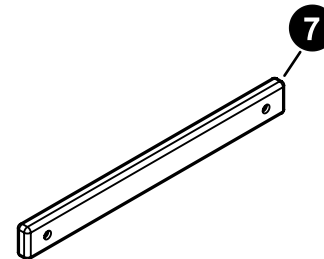
Deck Board
PG-14-0033
QTY. 6



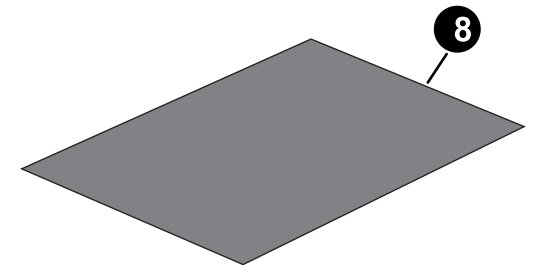
Sandbox Corner Post
PG-44-0090
QTY. 2



Sandbox Horizontal Rail
PG-24-0075
QTY. 4

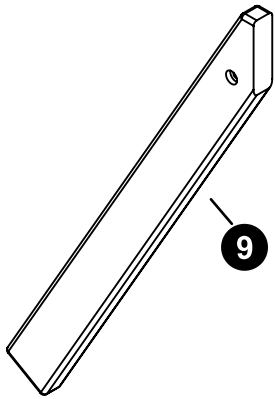


Sandbox Horizontal End Rail
PG-24-0076
QTY. 4

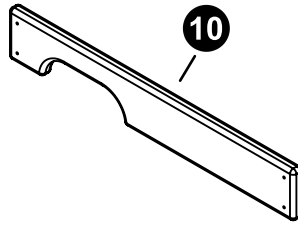


Sandbox Liner
PG-AC-0055
QTY. 1

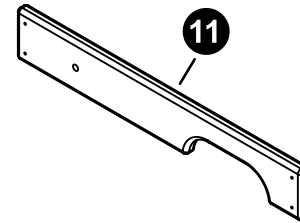
CLIMBING WALL PARTS (NOT ACTUAL SIZE)



Climbing Wall Leg
PG-24-0077
QTY. 2



Climbing Wall Board
PG-14-0035
QTY. 5

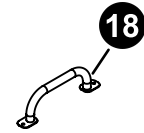


Climbing Wall Board 2
PG-14-0036
QTY. 5



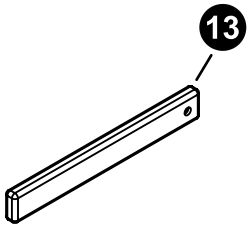
ROCK
PG-AC-0044
QTY. 3 Red
QTY. 2 Yellow

SAFETY HANDLES



10" Safety Handle
ST-HANDLE-010-Y
QTY. 2

PICNIC TABLE PARTS (NOT ACTUAL SIZE)



Bench Lower Horizontal Rail
PG-24-0078
QTY. 2

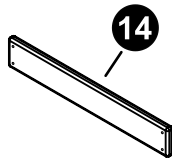
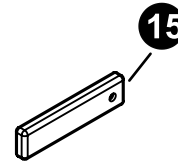
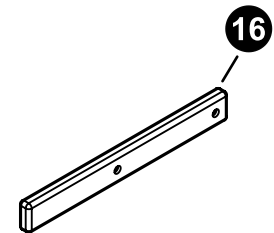


Table Slat
PG-14-0037
QTY. 4



Bench Upper Horizontal Rail
PG-24-0079
QTY. 2



Bench Diagonal Support Rail
PG-24-0080
QTY. 2

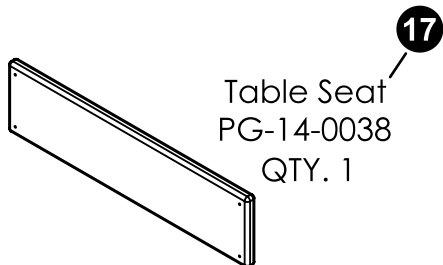
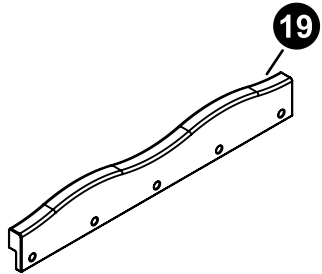
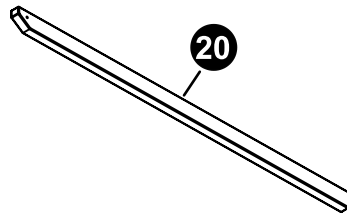


Table Seat
PG-14-0038
QTY. 1

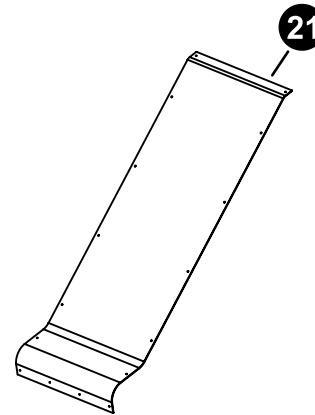
SLIDE PARTS (NOT ACTUAL SIZE)



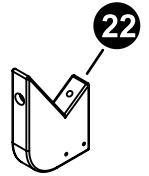
Slide Rail
3M-9143-00
QTY. 2



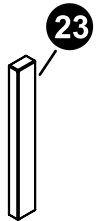
Short Slide Side
PG-23-0003
QTY. 2



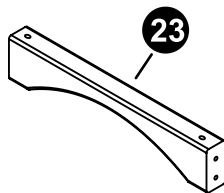
Short Slide Sheet
3M-9145-00
QTY. 1



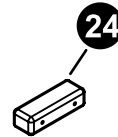
Slide Base Block
PG-26-0031
QTY. 2



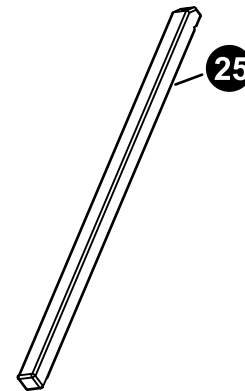
Slide Spacer
PG-23-0004
QTY. 1



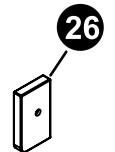
Slide Support
PG-24-0068
QTY. 1



Slide Upper Spacer
PG-33-0001
QTY. 2



Slide Support
Center
PG-44-0089
QTY. 1

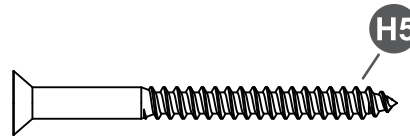


Slide Base
Block Center
PG-26-0033
QTY. 1

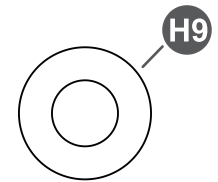
HARDWARE IDENTIFIER (ACTUAL SIZE)



5/16" x 2.5" HEX LAG SCREW
PG-HW-L003
QTY. 44



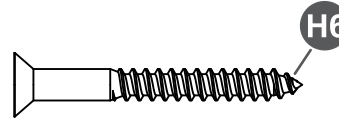
#8X2" FLAT HEAD WOOD SCREW
PG-HW-S004
QTY. 92



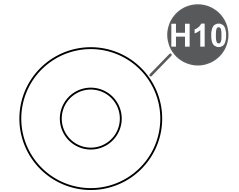
5/16" FLAT WASHER
PG-HW-W003
QTY. 60



1/4" x 1.5" HEX LAG SCREW
PG-HW-L001
QTY. 4



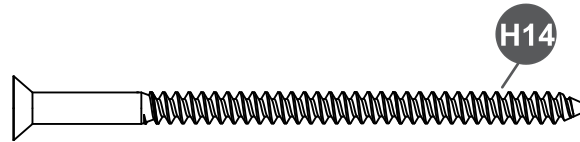
#8X1.5" FLAT HEAD WOOD SCREW
PG-HW-S003
QTY. 32



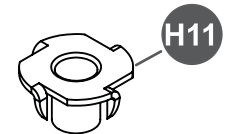
1/4" FLAT WASHER
PG-HW-W002
QTY. 6



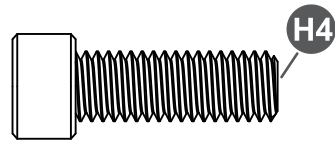
5/16" X 1.5" LAG
PG-HW-L021
QTY. 10



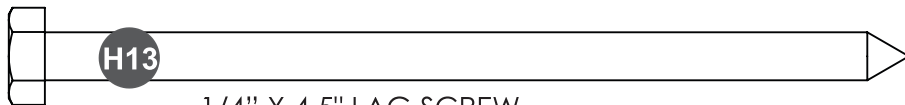
#8 X 3" FLAT HEAD WOOD SCREW
PG-HW-S005
QTY. 2



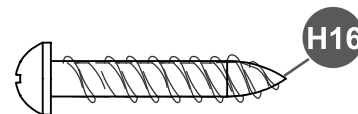
3/8"-16 x 1/2" T-NUT
PG-HW-N002
QTY. 5



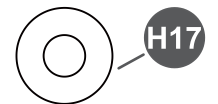
3/8" x 1" SOCKET HEAD SCREW
PG-HW-B008
QTY. 5



1/4" X 4.5" LAG SCREW
PG-HW-L002
QTY. 2



#10 x 1.25" ROUND HEAD SCREW
PG-HW-S002
QTY. 14



#10 FLAT WASHER
PG-HW-W001
QTY. 14



5/16" X 3" LAG SCREW
PG-HW-L004
QTY. 6

PARTS NEEDED

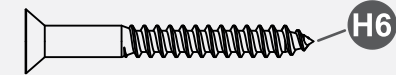
2

Deck Support/Side panel Support
PG-24-0074
QTY. 4

3

Side Panel Board
PG-14-0034
QTY. 8

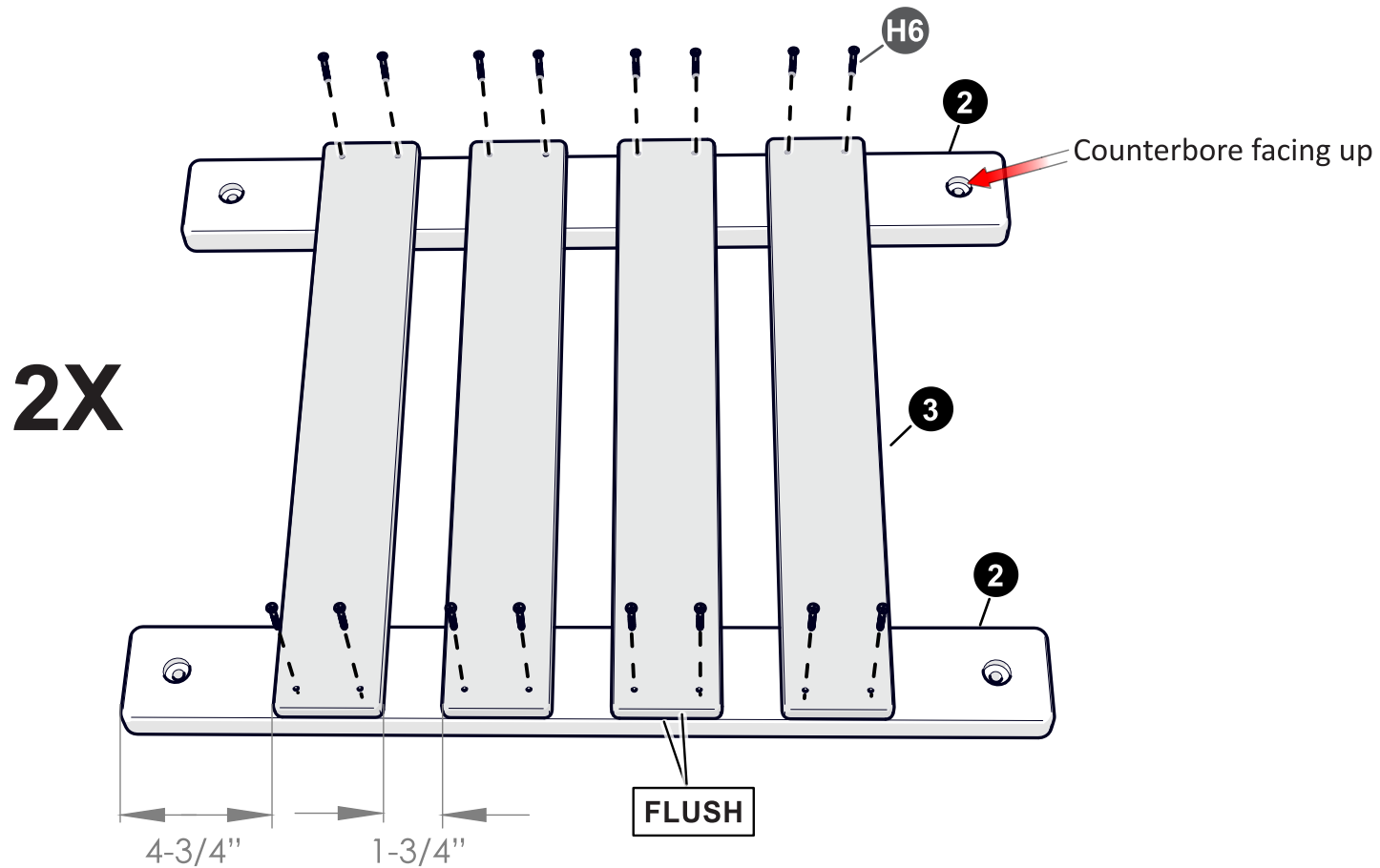
HARDWARE NEEDED



#8X1.5" FLAT HEAD WOOD SCREW
PG-HW-S003
QTY. 32

STEP 1:

On a clean flat surface lay two (#2) Side Panel Supports and attach four Side Panel Boards (#3) with H6 Screws as shown. Repeat step to make a second panel assembly.



PARTS NEEDED

1

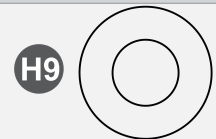
Corner Post
PG-44-0086
QTY. 4

Panel Assembly
(from last step)
QTY. 2

HARDWARE NEEDED



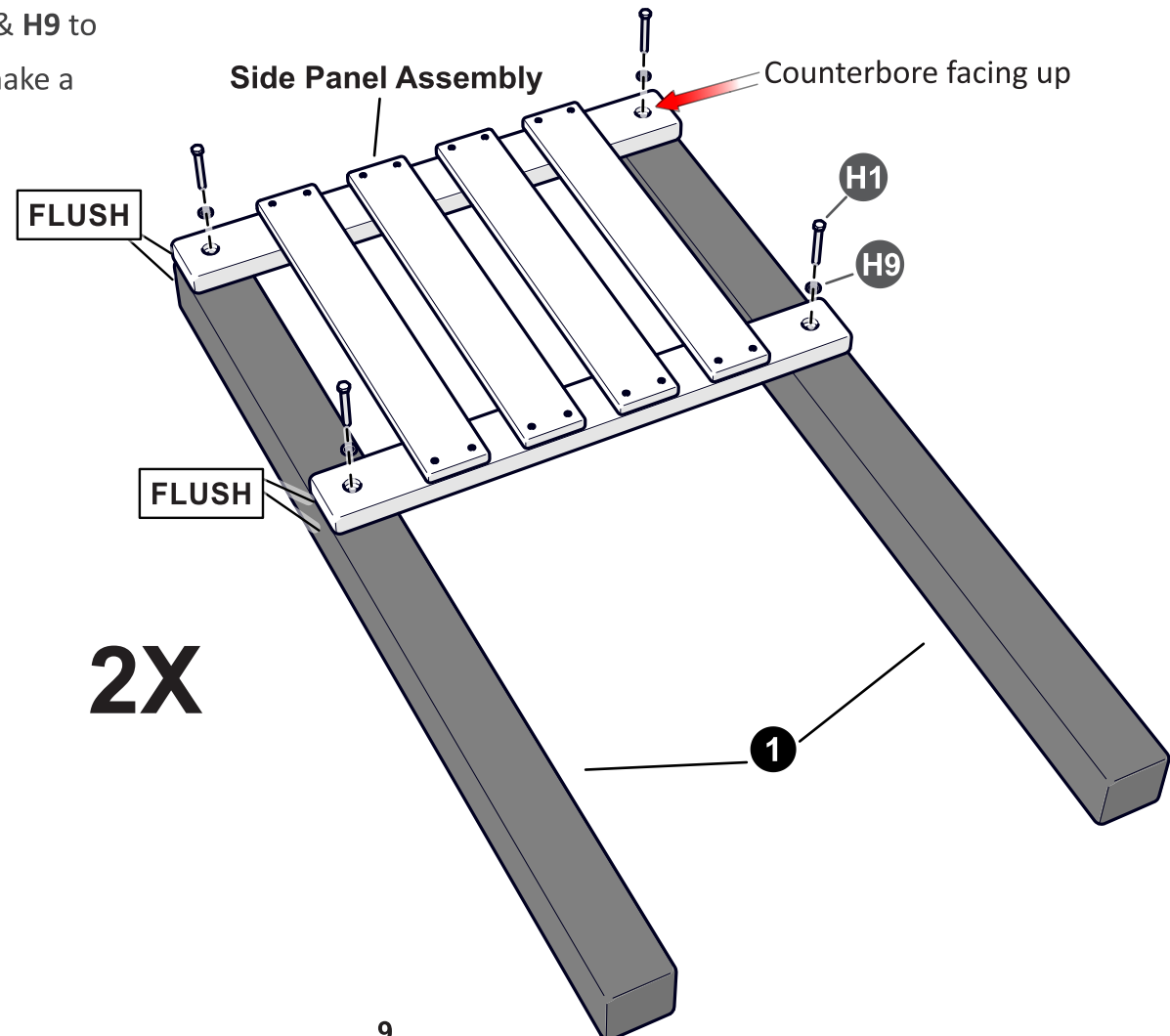
5/16" x 2.5" HEX LAG SCREW
PG-HW-L003
QTY. 8



5/16" FLAT WASHER
PG-HW-W003
QTY. 8

STEP 2:

On a clean and flat surface lay two **(#1)** Corner Posts and attach the two Side Panel Assemblies you assembled in previous step. Use **H1** & **H9** to attach panel as shown. Repeat step to make a second assembly.



PARTS NEEDED

2

Deck Support/Side panel Support
PG-24-0074
QTY. 2

HARDWARE NEEDED



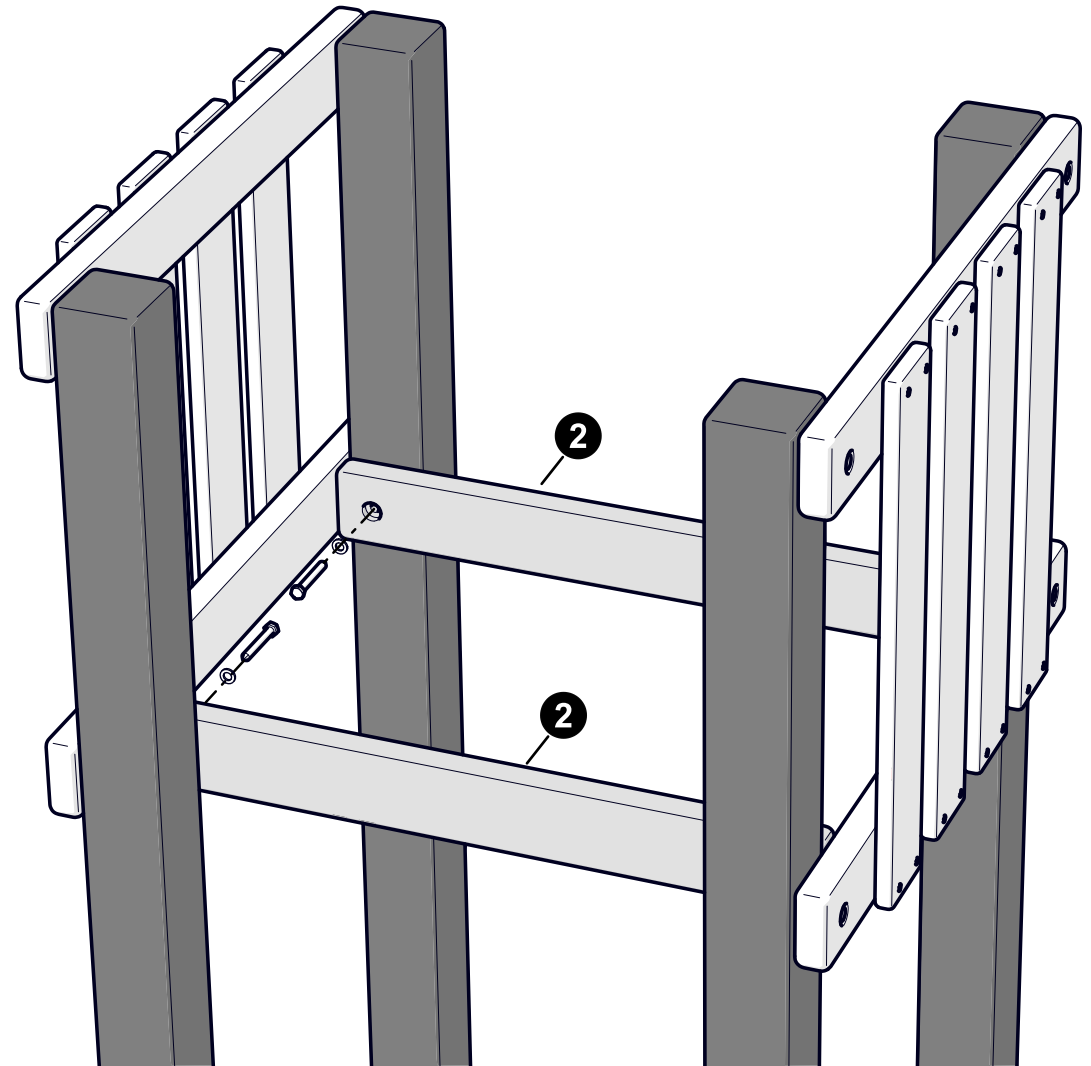
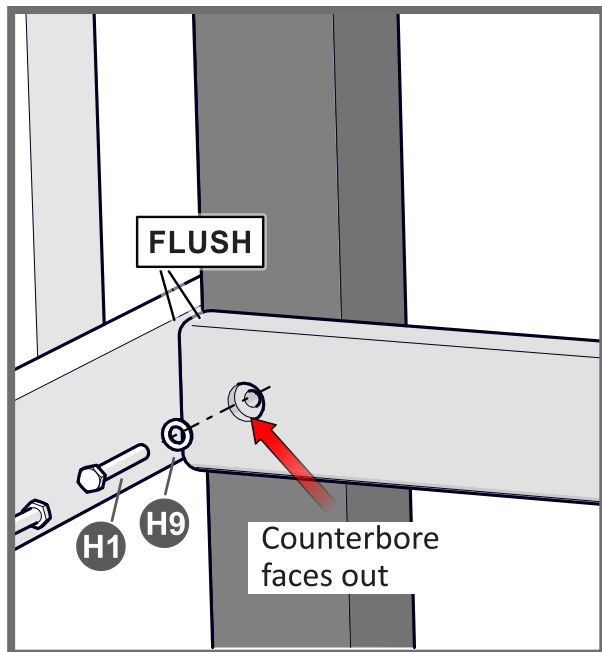
H1
5/16" x 2.5" HEX LAG SCREW
PG-HW-L003
QTY. 4



H9
5/16" FLAT WASHER
PG-HW-W003
QTY. 4

STEP 3:


Attach two Deck Support Boards (**#2**) to the Corner Posts and attach with four **H1** & **H9** as shown.



PARTS NEEDED

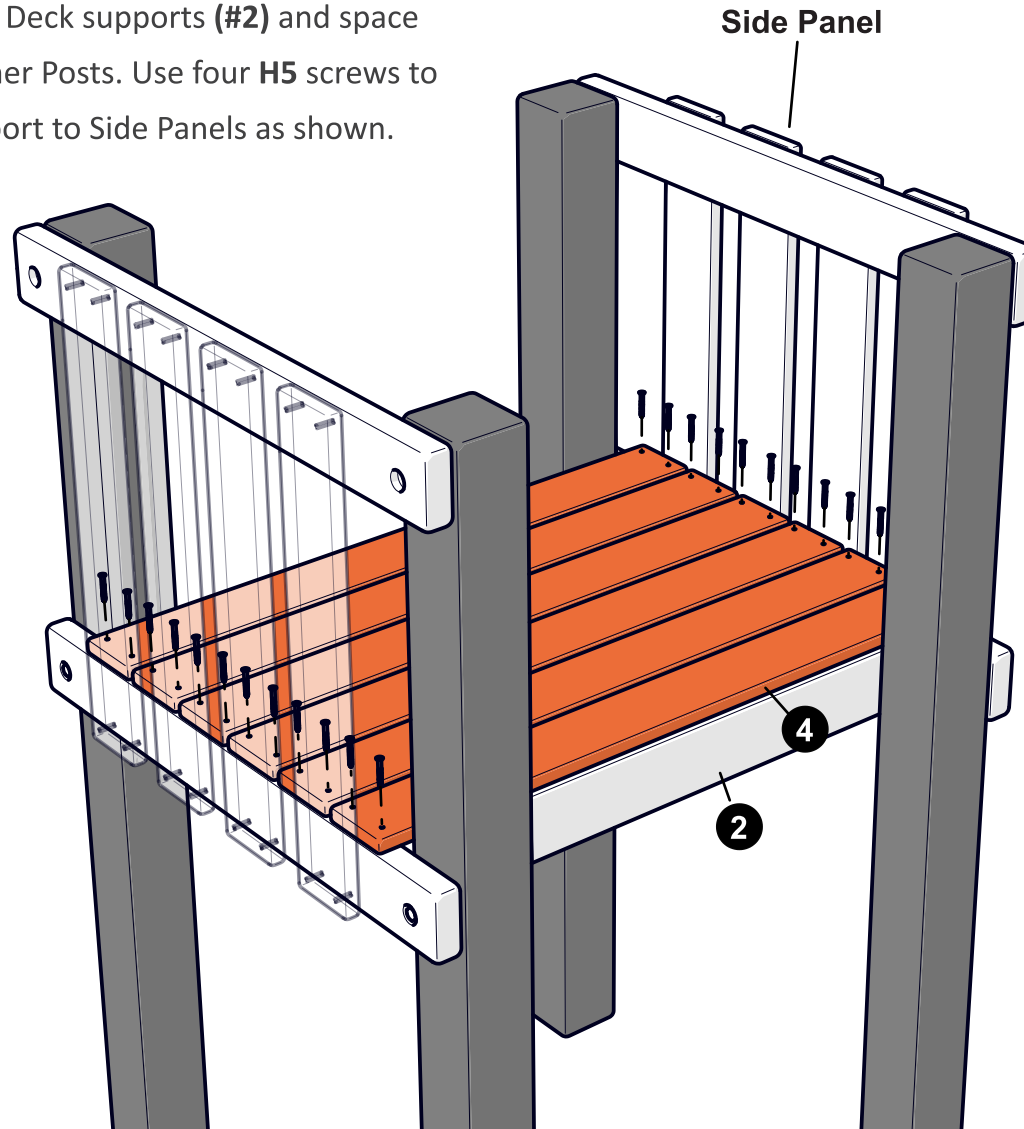
- 4** Deck Board
PG-14-0033
QTY. 6

HARDWARE NEEDED

- H5** 
#8X2" FLAT HEAD WOOD SCREW
PG-HW-S004
QTY. 24

STEP 4:

Lay six Deck Boards (#4) on Deck supports (#2) and space evenly in between the Corner Posts. Use four H5 screws to attach Boards to Deck Support to Side Panels as shown.



PARTS NEEDED

5

Sandbox Corner Post
PG-44-0090
QTY. 2

6

Sandbox Horizontal Rail
PG-24-0075
QTY.4

HARDWARE NEEDED

H1

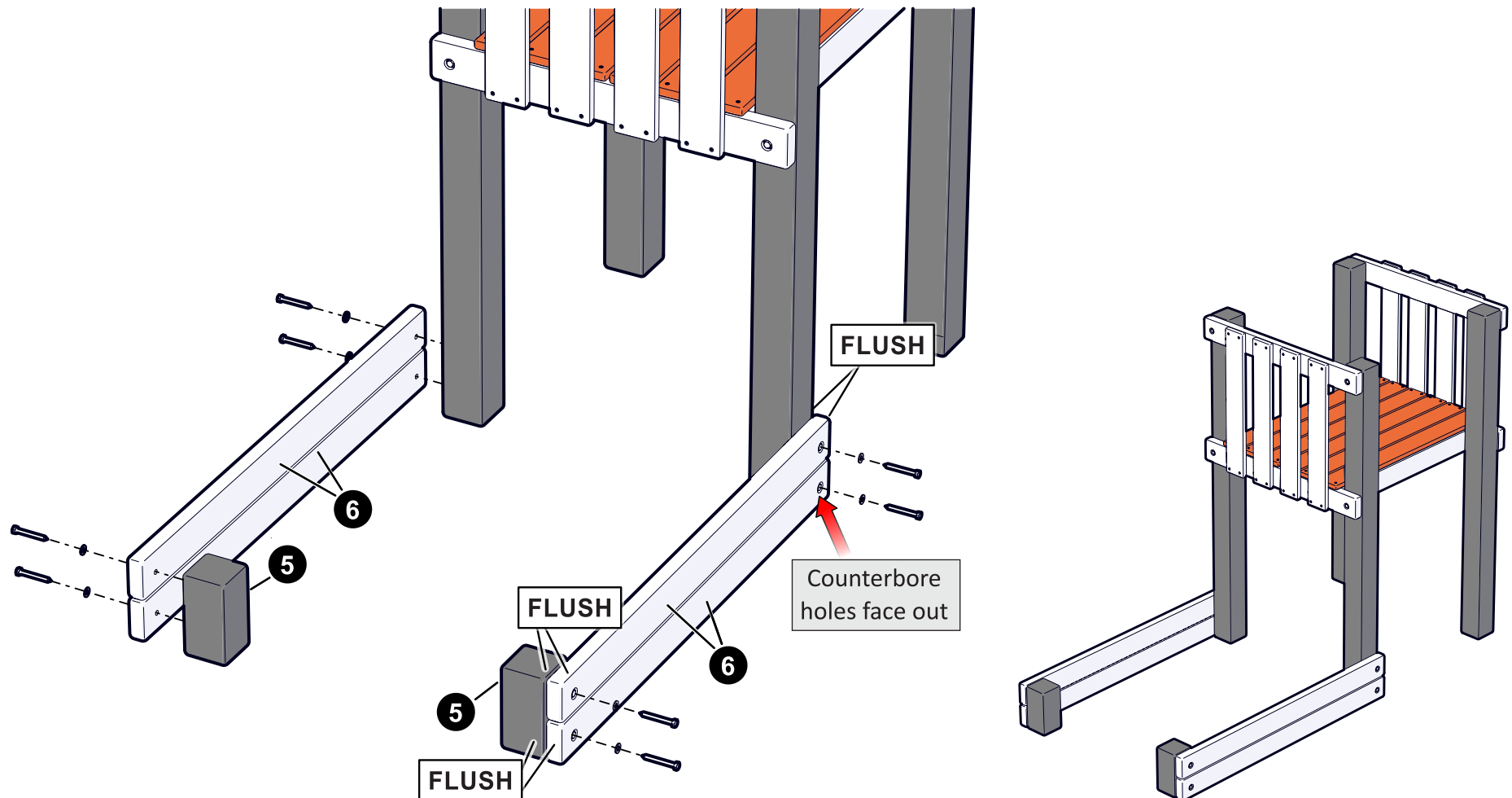
5/16" x 2.5" HEX LAG SCREW
PG-HW-L003
QTY. 8

H9

5/16" FLAT WASHER
PG-HW-W003
QTY. 8

STEP 5:

Attach two (#6) Horizontal Rails to (#5) Sandbox Corner Posts using H1 & H9 to attach Rails as shown. Repeat step for the other side.



PARTS NEEDED

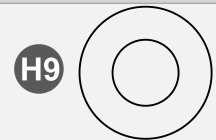
7

Sandbox Horizontal End Rail
PG-24-0076
QTY. 4

HARDWARE NEEDED



5/16" x 2.5" HEX LAG SCREW
PG-HW-L003
QTY. 8

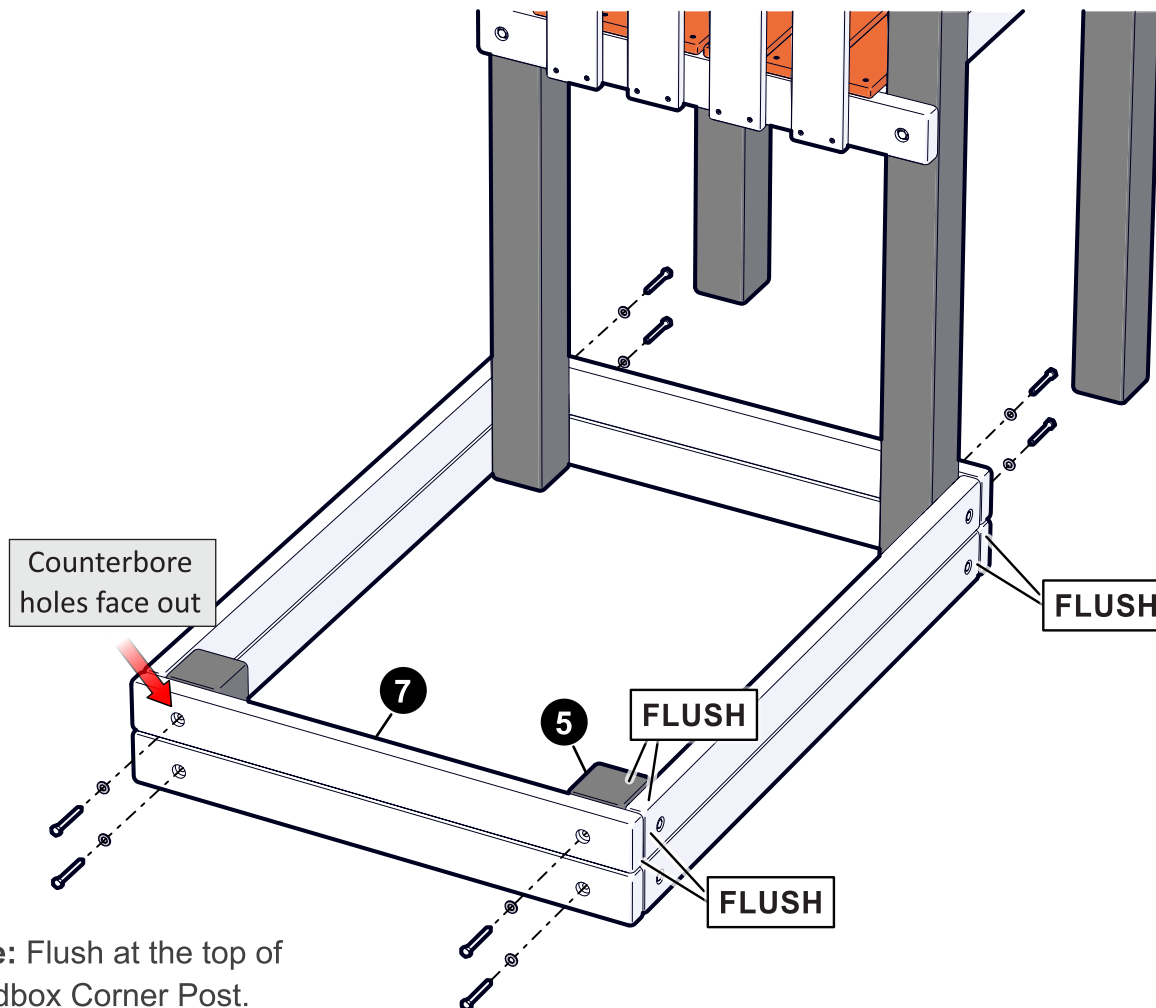


5/16" FLAT WASHER
PG-HW-W003
QTY. 8

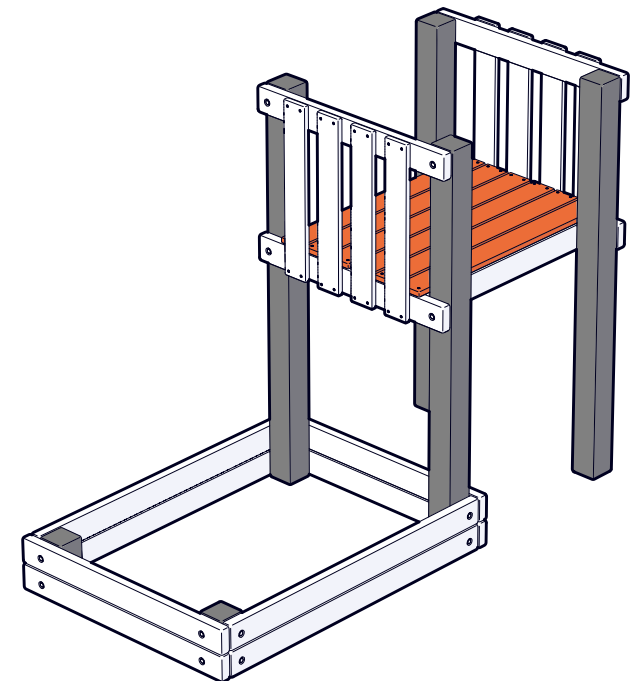
STEP 6:

Attach one (#7) Horizontal End Rail to (#5) Sandbox Corner

Posts using H1 & H9 to attach End Rail as shown.



Note: Flush at the top of
Sandbox Corner Post.



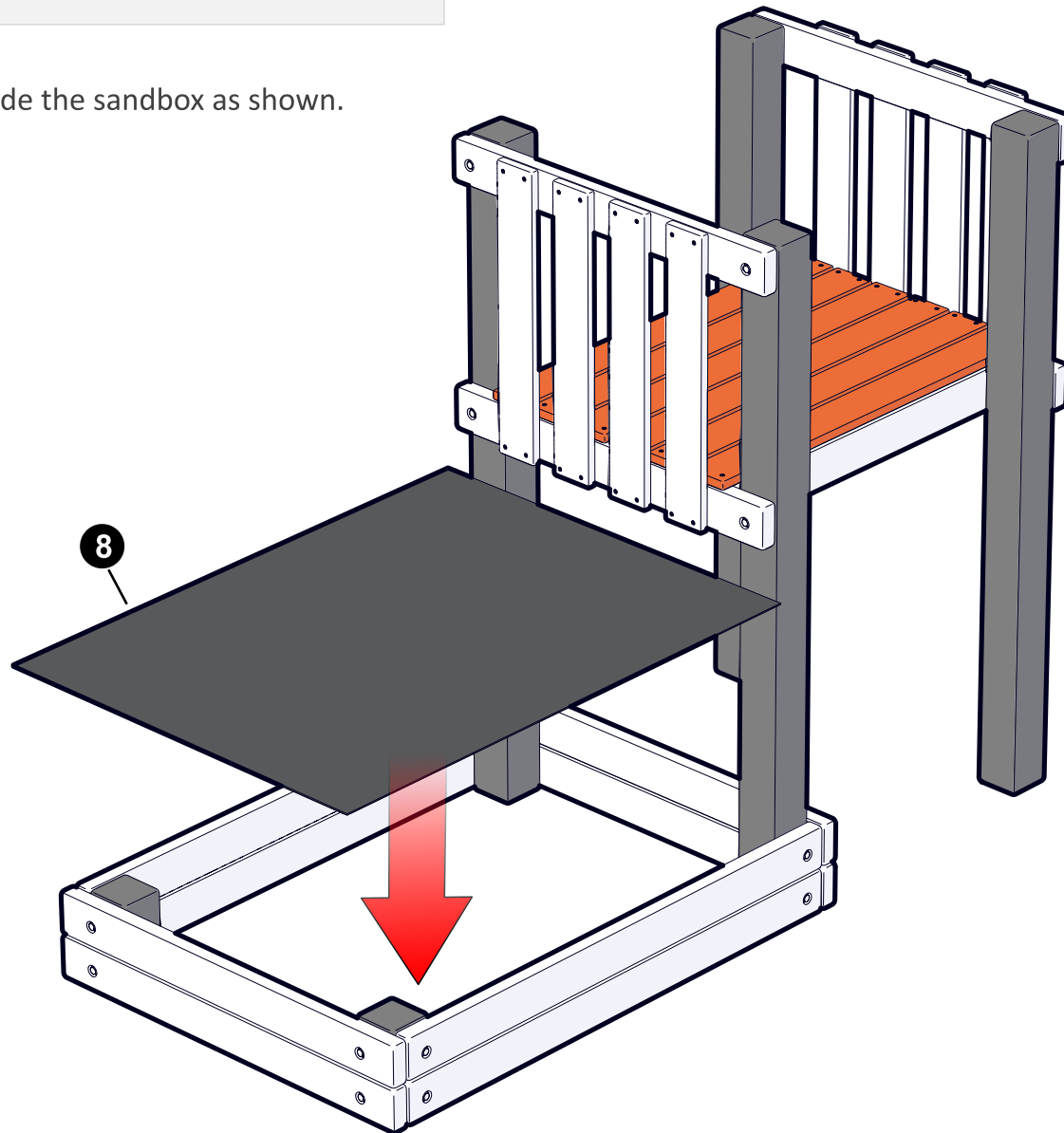
PARTS NEEDED

8

SANDBOX LINER
PG-AC-0055
QTY.1

STEP 7:

Place **Sandbox liner (#8)** inside the sandbox as shown.



PARTS NEEDED

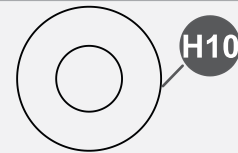
18

10" Safety Handle
ST-HANDLE-010-Y
QTY. 2

STEP 8:

Determine the end where you are going to place the Rockwall and attach two (**#18**) Safety Handles. Center (**#18**) Handles on Corner post and attach 2 inches from top of Corner Post using **H3** & **H9** as shown.

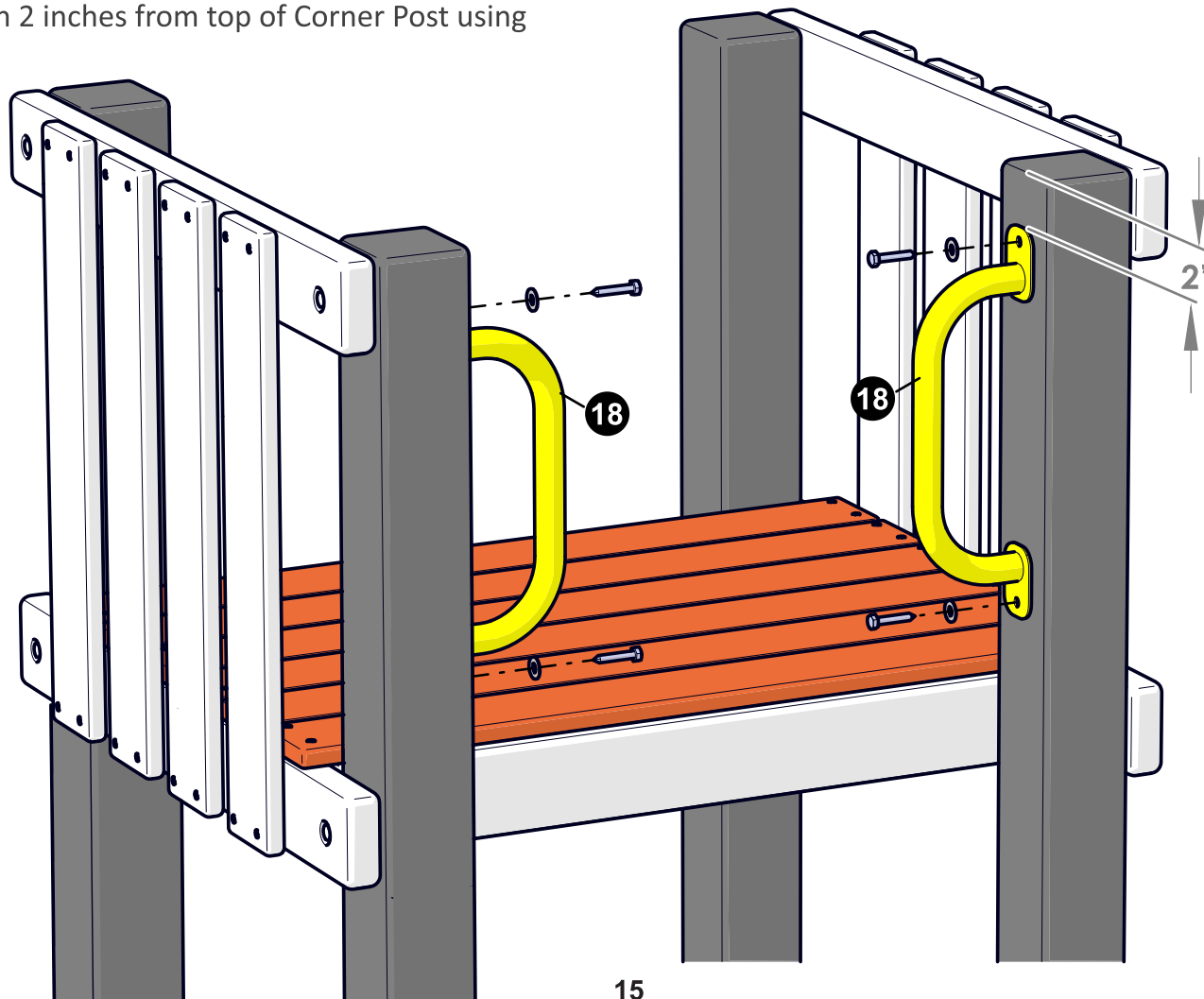
HARDWARE NEEDED



1/4" FLAT WASHER
PG-HW-W002
(4)



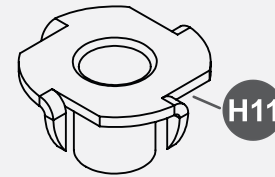
1/4" x 1.5" HEX LAG SCREW
PG-HW-L001
(4)



PARTS NEEDED

Climbing Wall Assembly
(from the previous step)

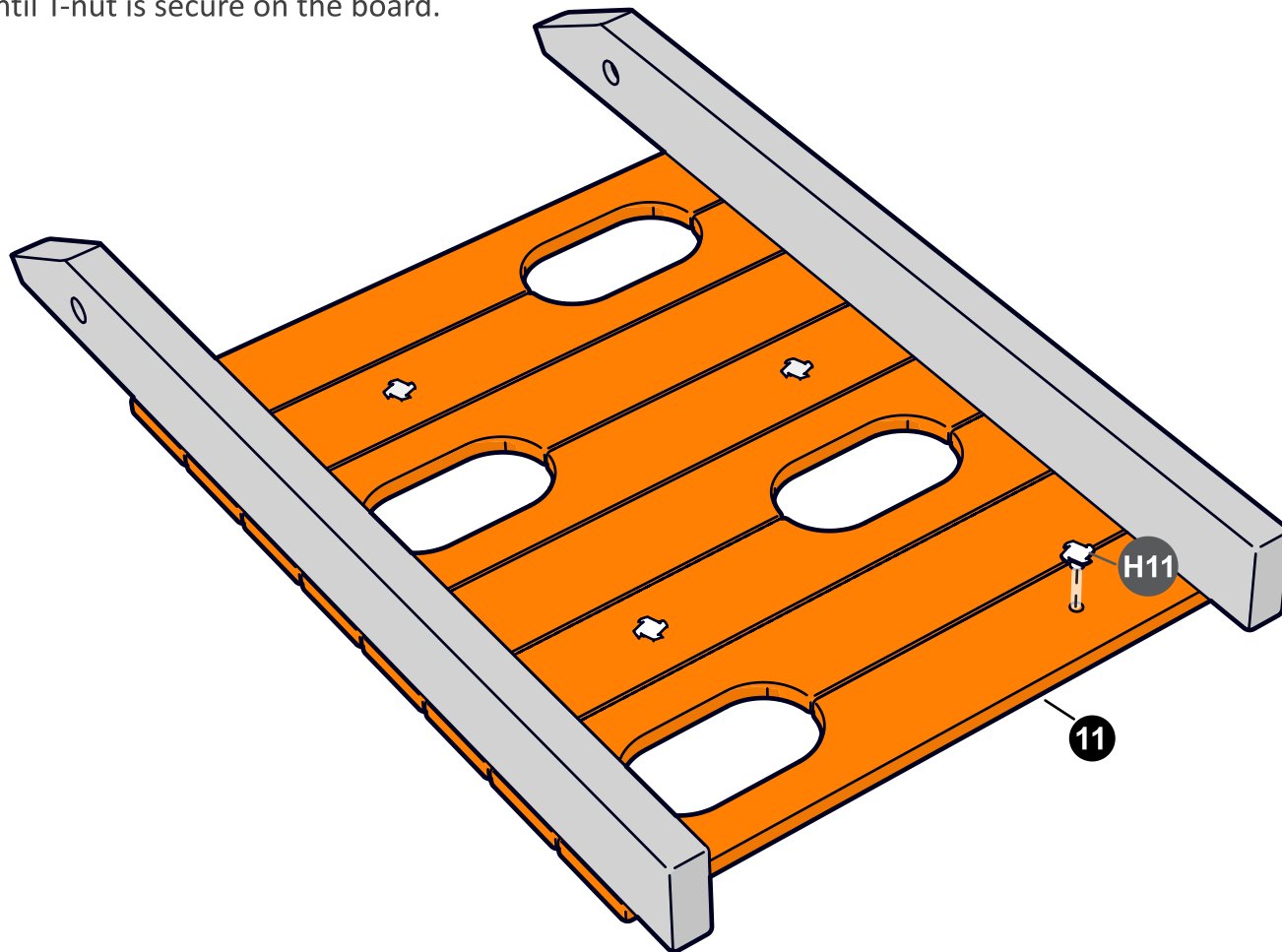
HARDWARE NEEDED



3/8"-16 x 1/2" T-NUT
PG-HW-N002
(4)

STEP 10:

Flip Climbing Wall assembly over and attach the T-Nuts to **(#11)** Wall Boards by **lightly** tapping with a rubber mallet until T-nut is secure on the board.



PARTS NEEDED

9

Climbing Wall Leg
PG-24-0077
QTY. 2

10

Climbing Wall Board
PG-14-0035
QTY. 5

11

Climbing Wall Board
with Rock Holes
PG-14-0036
QTY. 5

HARDWARE NEEDED

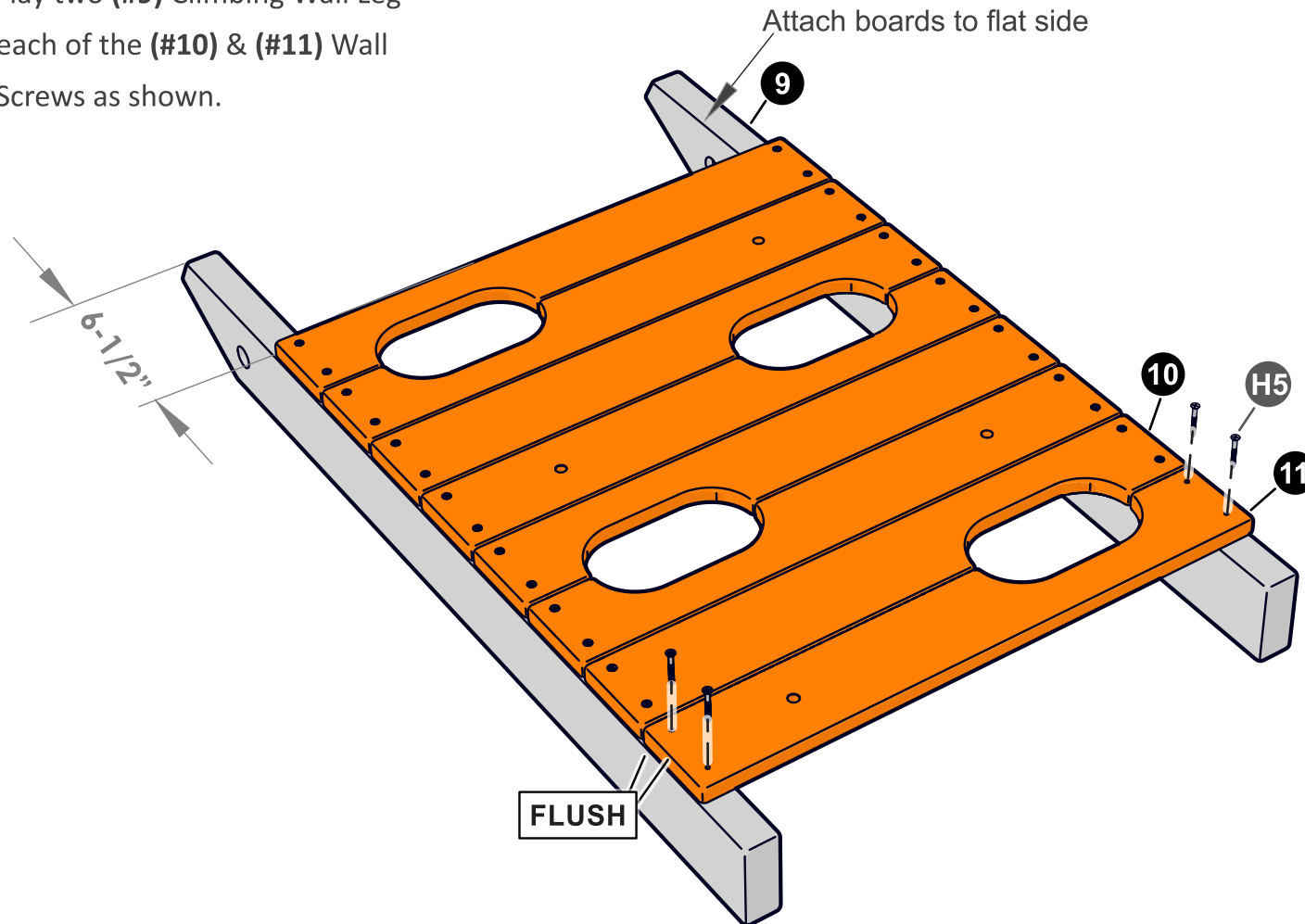
H5



#8X2" FLAT HEAD WOOD SCREW
PG-HW-S004
QTY. 32

STEP 9:

On a flat surface lay two (#9) Climbing Wall Leg and attach four each of the (#10) & (#11) Wall Boards with H5 Screws as shown.



PARTS NEEDED



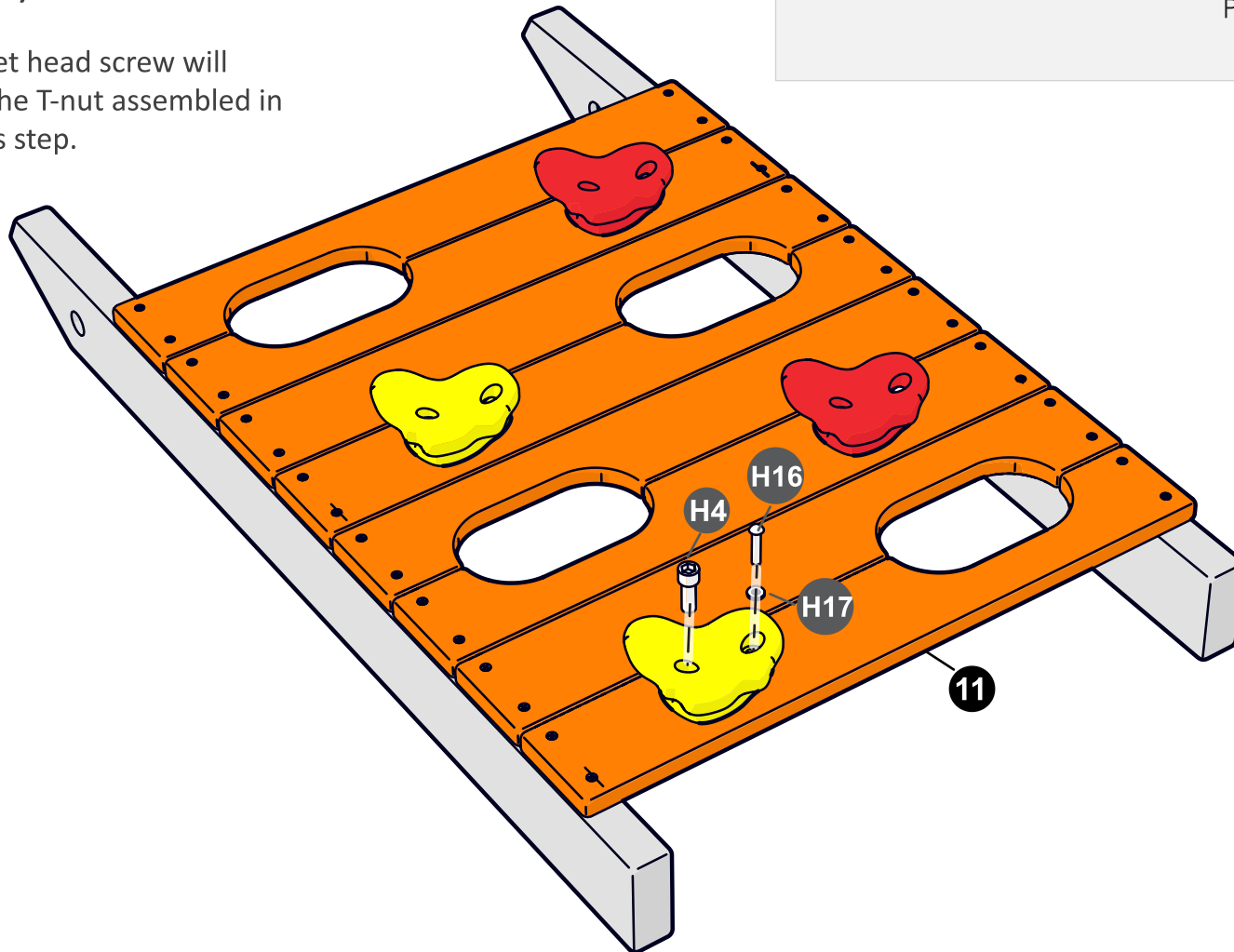
Rock Red/Yellow
PG-AC-0044
(4)

STEP 11:

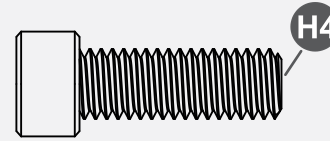
Flip Climbing Wall assembly over and attach (#12)

Rocks to (#11) Wall Boards.

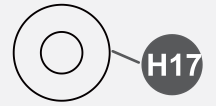
NOTE: Socket head screw will
screw into the T-nut assembled in
the previous step.



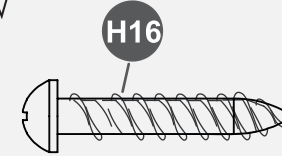
HARDWARE NEEDED



3/8" x 1" SOCKET HEAD SCREW
PG-HW-B008
QTY. 4



#10 FLAT WASHER
PG-HW-W001
QTY. 4



#10 x 1.25" ROUND HEAD SCREW
PG-HW-S002
QTY. 4

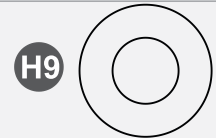
PARTS NEEDED

Climbing Wall Assembly
(from the previous step)

HARDWARE NEEDED



5/16" x 2.5" HEX LAG SCREW
PG-HW-L003
QTY. 2

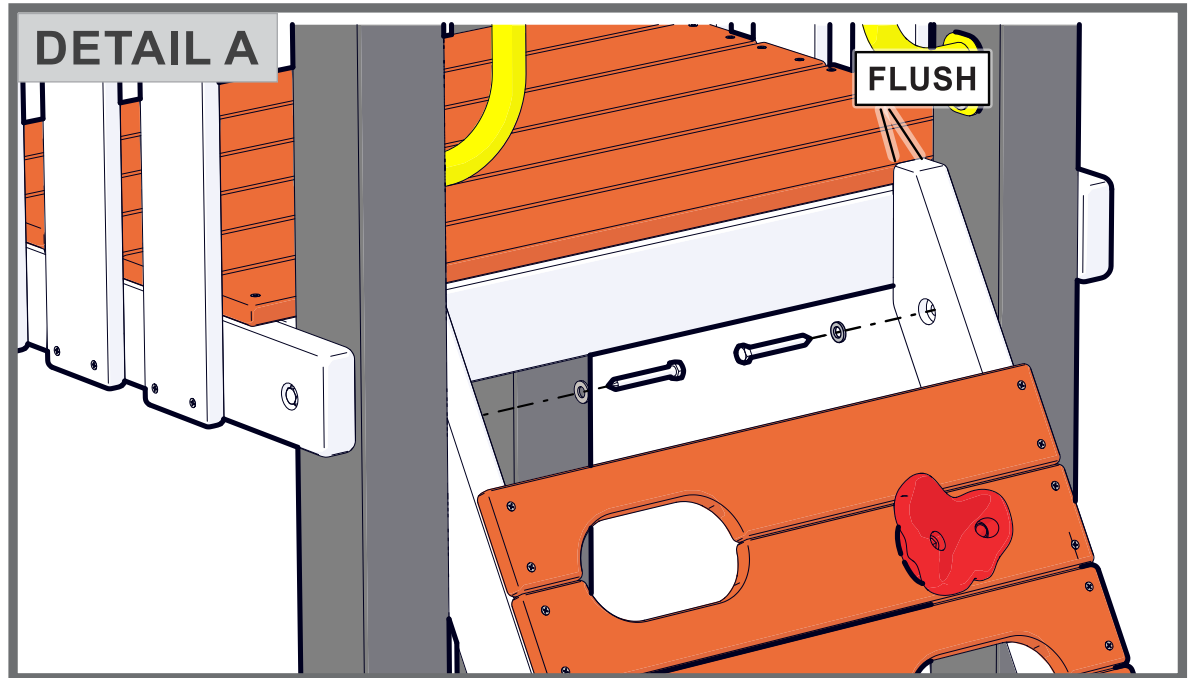
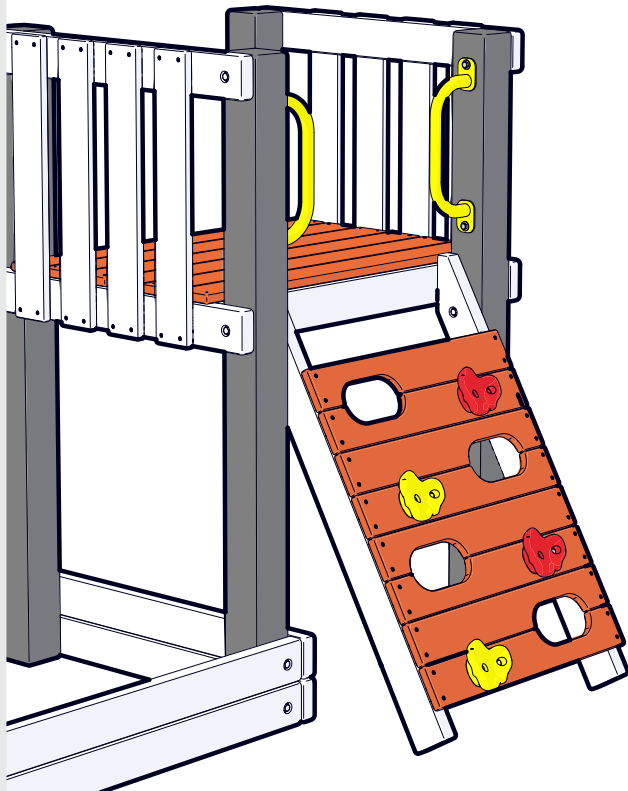


5/16" FLAT WASHER
PG-HW-W003
QTY. 2

STEP 12:

Attach the Climbing Wall Assembly to the Corner Posts and using two H1 & H9 as shown.

NOTE: Top of Climbing wall leg must be **flush** with the Deck see Detail.



PARTS NEEDED

10
Climbing Wall Board
PG-14-0035
QTY. 1


11
Climbing Wall Board
with Rock Holes
PG-14-0036
QTY. 1

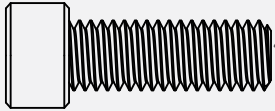

Rock Yellow
PG-AC-0044
(1)

STEP 13:

Tap a T-Nut (**H11**) to the back of (**#11**) Board. Then attach (**#10**) & (**#11**) Wall Boards with **H5** Screws followed by (**#12**) Rocks to (**#11**) Wall Boards.

HARDWARE NEEDED


H5
#8X2" FLAT HEAD WOOD SCREW
PG-HW-S004
QTY. 8

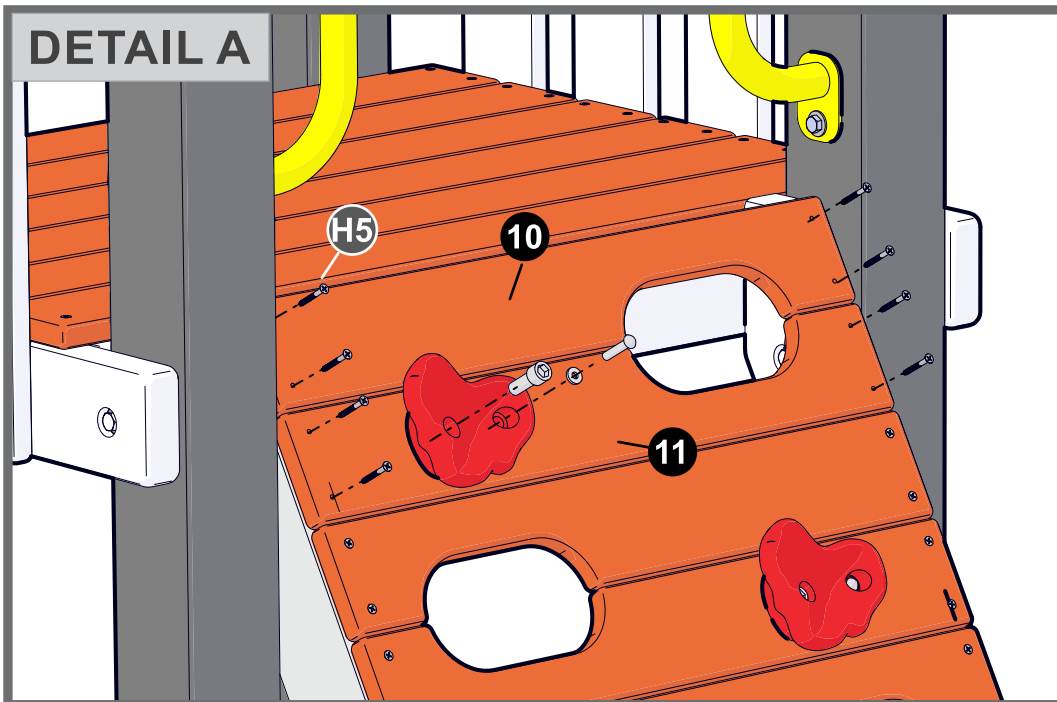

H4
3/8" x 1" SOCKET HEAD SCREW
PG-HW-B008
QTY. 1


H17
#10 FLAT WASHER
PG-HW-W001
QTY. 1


H16
#10 x 1.25" ROUND HEAD SCREW
PG-HW-S002
QTY. 1


H11
3/8"-16 x 1/2" T-NUT
PG-HW-N002
QTY. 1

DETAIL A



PARTS NEEDED

14

Table Slat
PG-14-0037
QTY.4

15

Bench Upper Horizontal Rail
PG-24-0079
QTY. 2

HARDWARE NEEDED

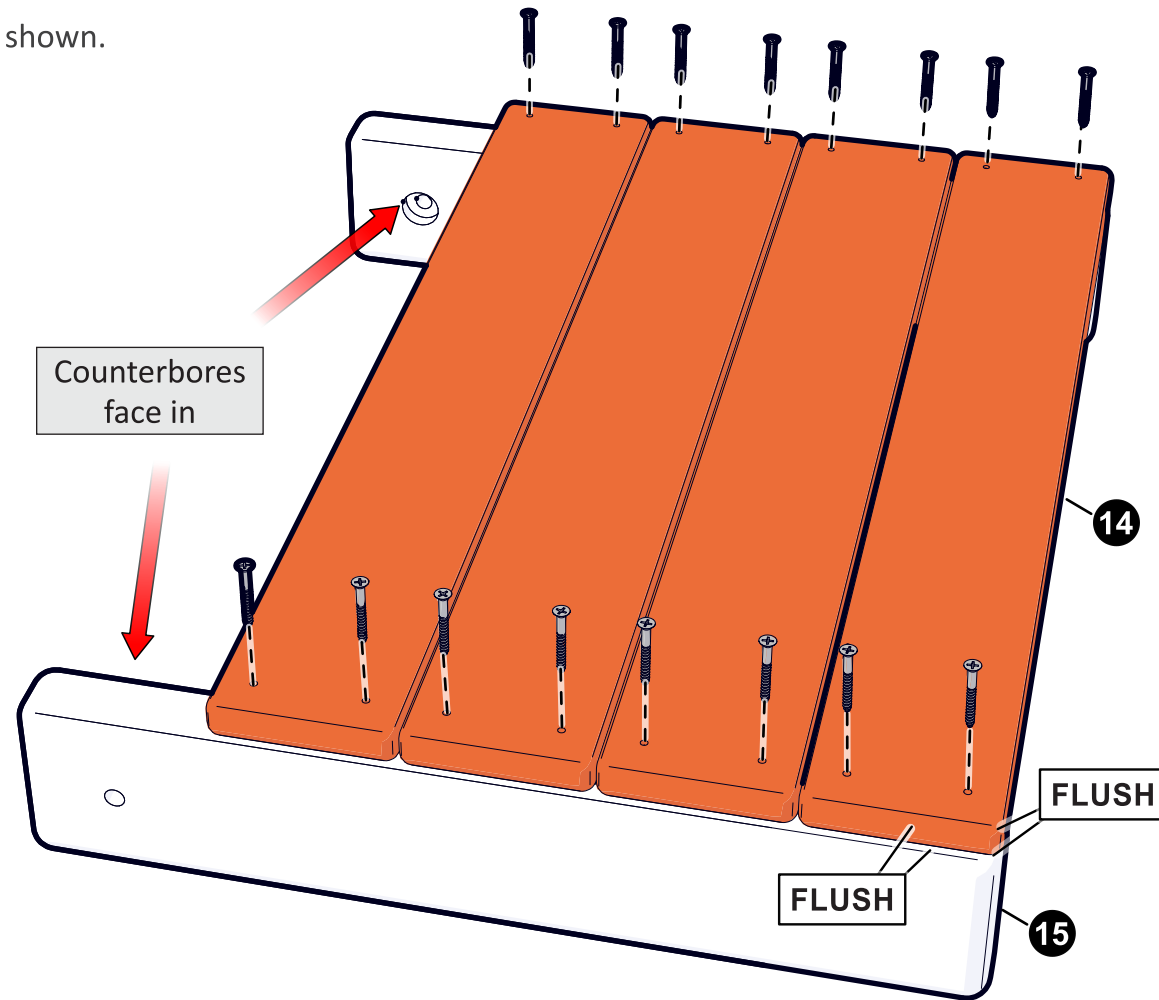
H5



#8X2" FLAT HEAD WOOD SCREW
PG-HW-S004
QTY. 12

STEP 14:

Attach (#14) Table Slats to (#15) Bench Upper Horizontal Rail with H5 Screws as shown.



PARTS NEEDED

13

Bench Lower Horizontal Rail
PG-24-0078
QTY. 2

Table assembly
(from the previous step)

HARDWARE NEEDED

H1

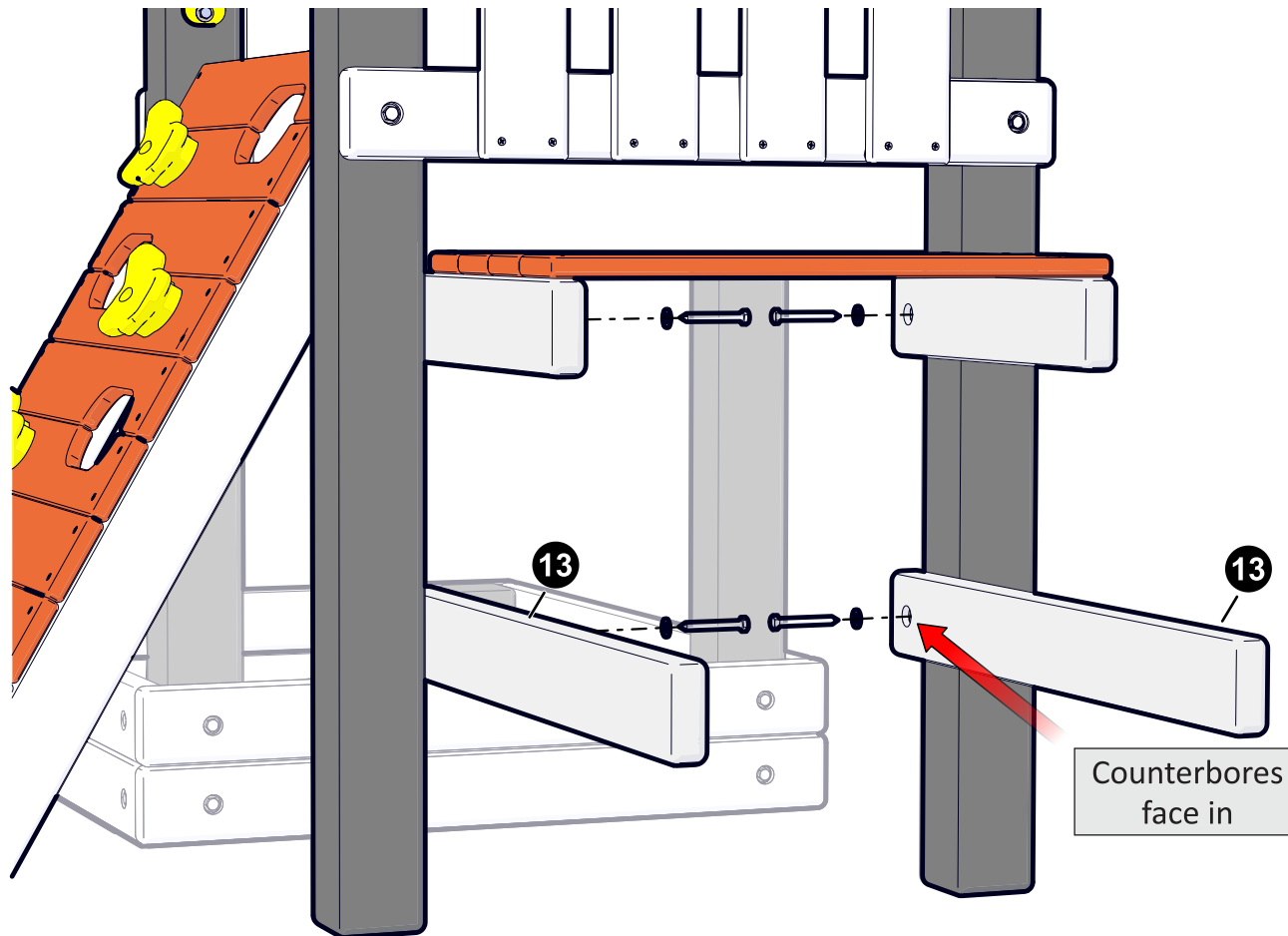
5/16" x 2.5" HEX LAG SCREW
PG-HW-L003
QTY. 4

H9

5/16" FLAT WASHER
PG-HW-W003
QTY. 4

STEP 15:

Attach Table Assembly to the inside of the Corner Posts using **H1** & **H9** as shown. Followed by Two (**#13**) Bench Lower Horizontal Rails as shown.



PARTS NEEDED

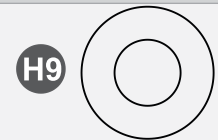
16

Bench Diagonal Support Rail
PG-24-0080
QTY. 2

HARDWARE NEEDED



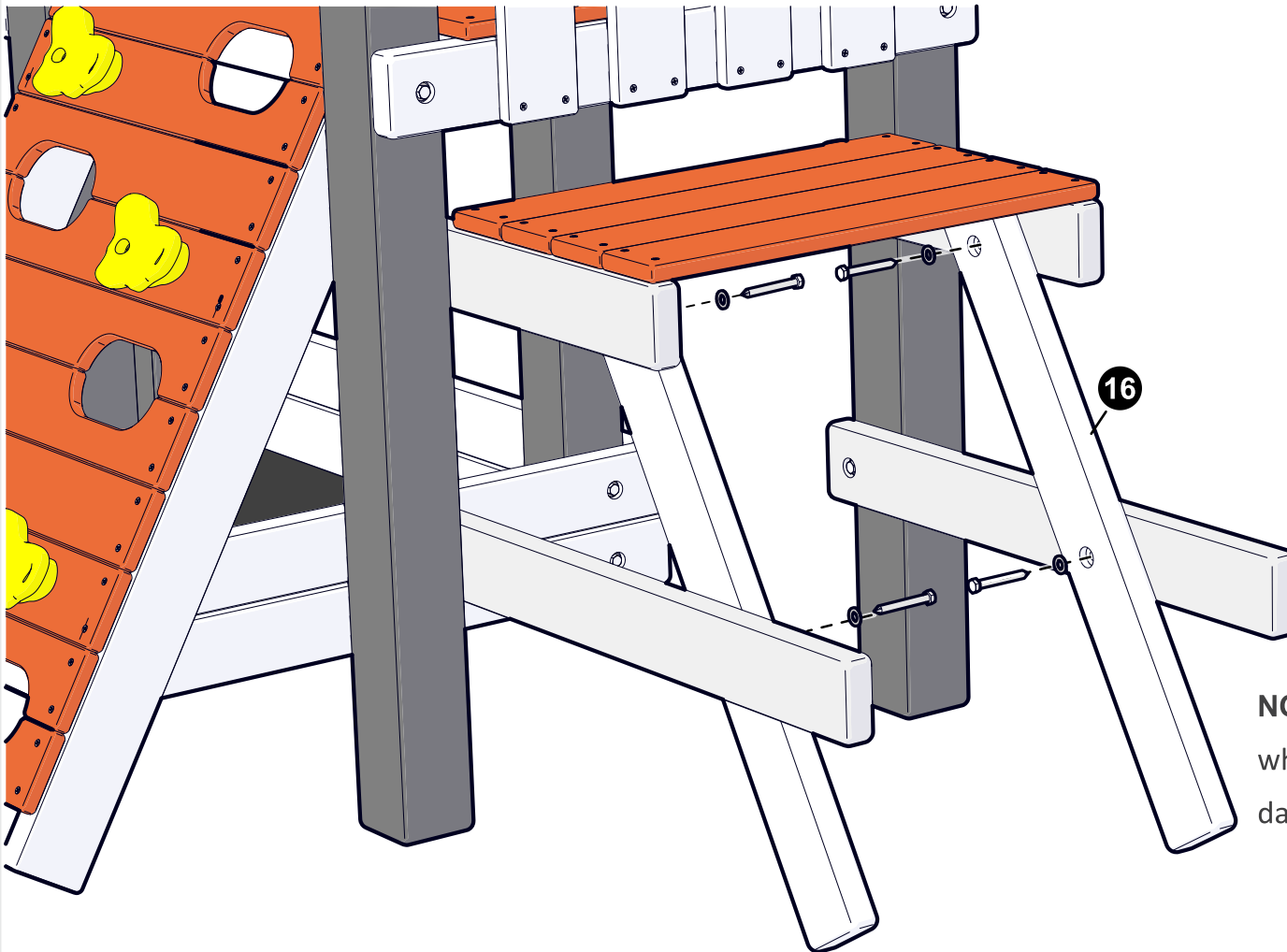
H1
5/16" x 2.5" HEX LAG SCREW
PG-HW-L003
QTY. 4



H9
5/16" FLAT WASHER
PG-HW-W003
QTY. 4

STEP 16:

Attach two (#16) Bench Diagonal Support Rail using H1 & H9 as shown. Attach top section first.




NOTE: Hold bottom horizontal rails firmly when driving lag screw into it to prevent damage to the rail.

PARTS NEEDED

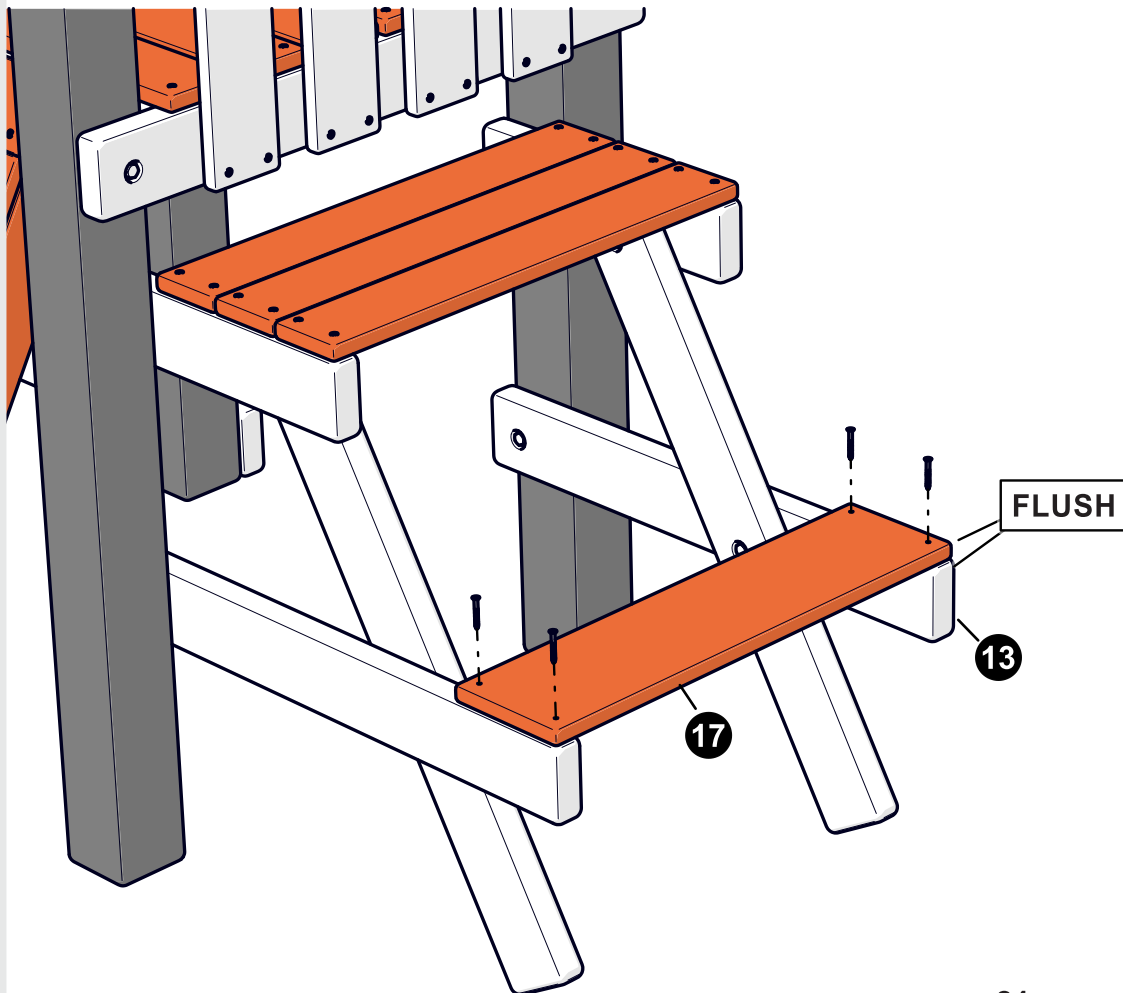
17
Table Seat
PG-14-0038
QTY. 1

HARDWARE NEEDED

H5 
#8X2" FLAT HEAD WOOD SCREW
PG-HW-S004
QTY. 4

STEP 17:

Attach **(#17)** Table Seat to **(#13)** Bench Lower Horizontal Rail with **H5** Screws as shown.



PARTS NEEDED

20

Slide Side
PG-23-0003
QTY. 2

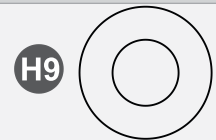
22

Slide Base Block
PG-26-0031
QTY. 2

HARDWARE NEEDED



H1
5/16" x 2.5" HEX LAG SCREW
PG-HW-L003
QTY. 4

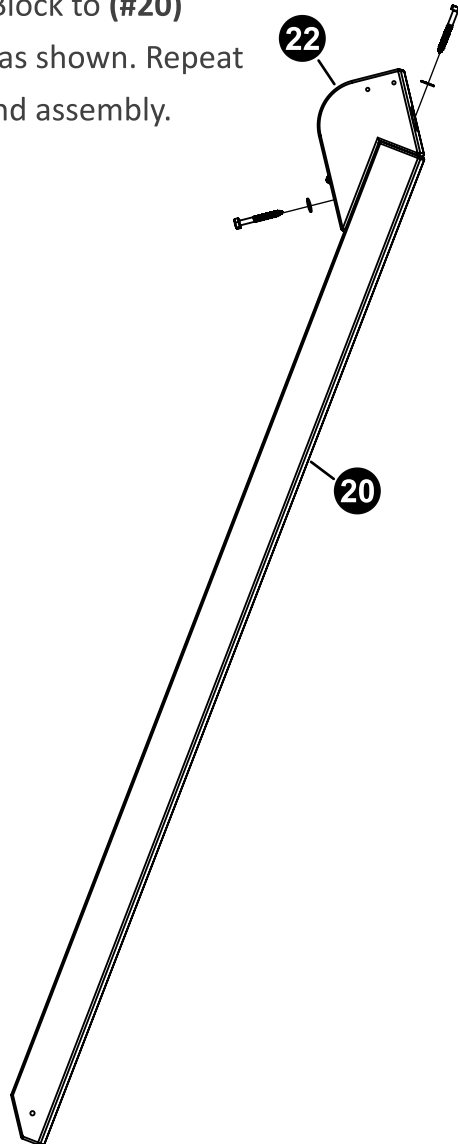


H9
5/16" FLAT WASHER
PG-HW-W003
QTY. 4

STEP 18:

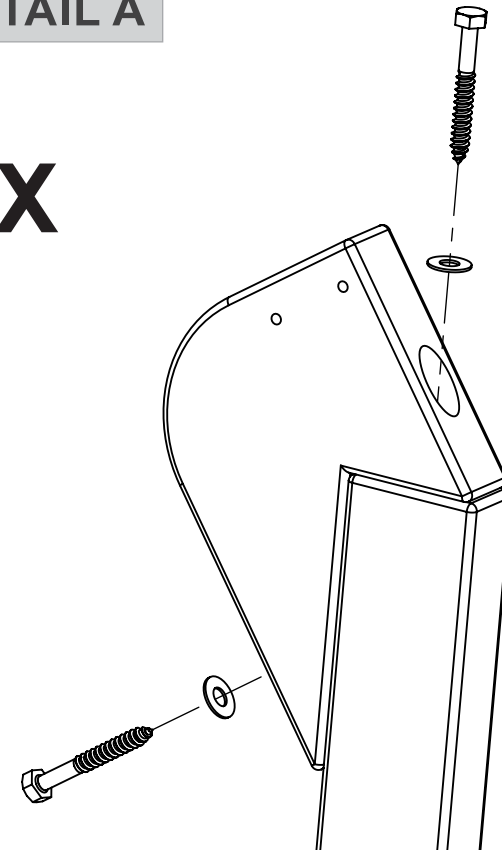
Attach (**#22**) Slide Base Block to (**#20**)

Slide Side with **H1 & H9** as shown. Repeat
step to complete a second assembly.



DETAIL A

2X



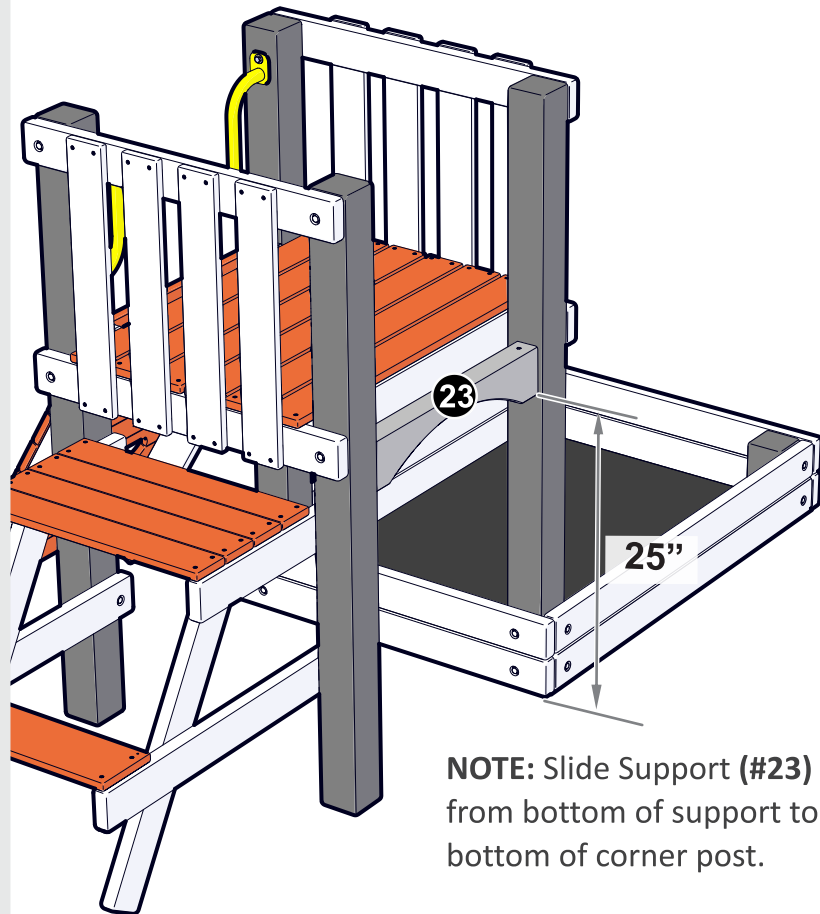
PARTS NEEDED

23

Slide Support
PG-24-0068
QTY. 1

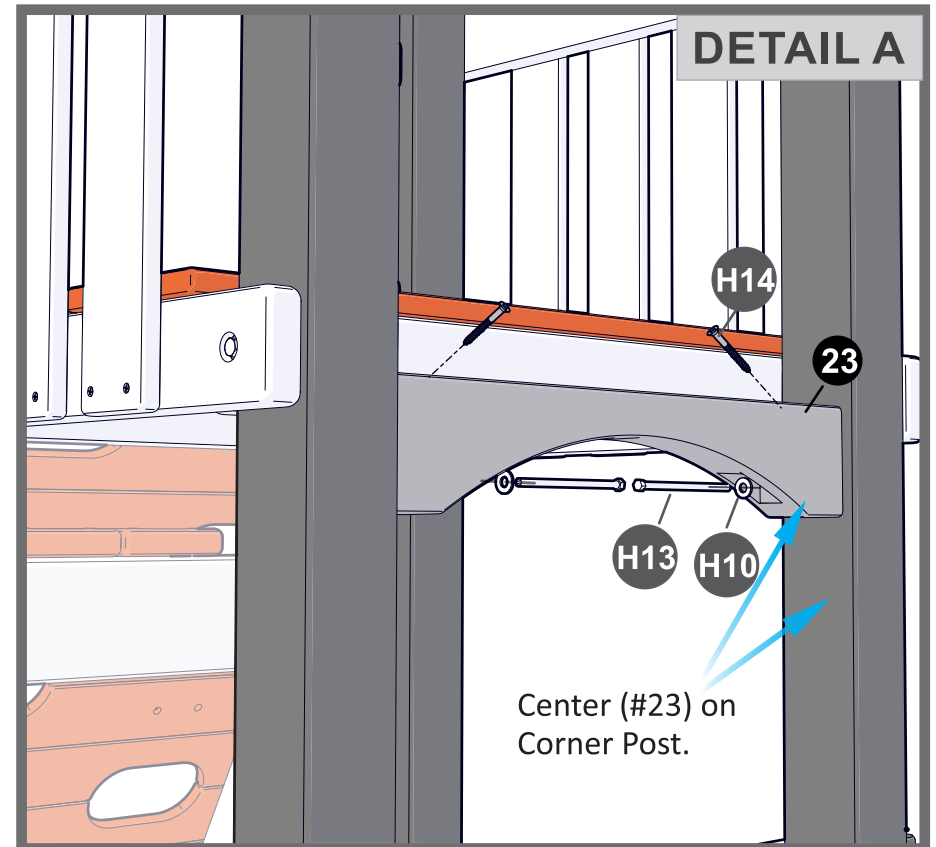
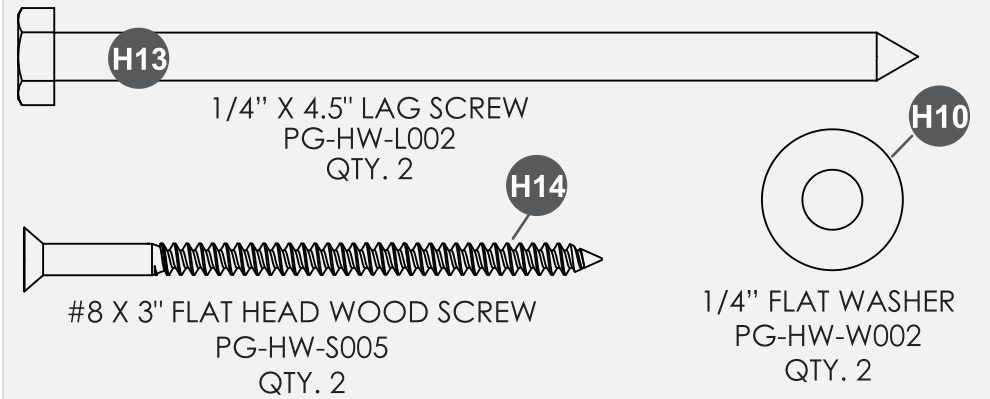
STEP 19:

Attach (**#23**) Slide Support to **Corner Posts**
with **H10**, **H13** & **H14** as shown in **Detail A**.



NOTE: Slide Support (**#23**) is 25"
from bottom of support to
bottom of corner post.

HARDWARE NEEDED

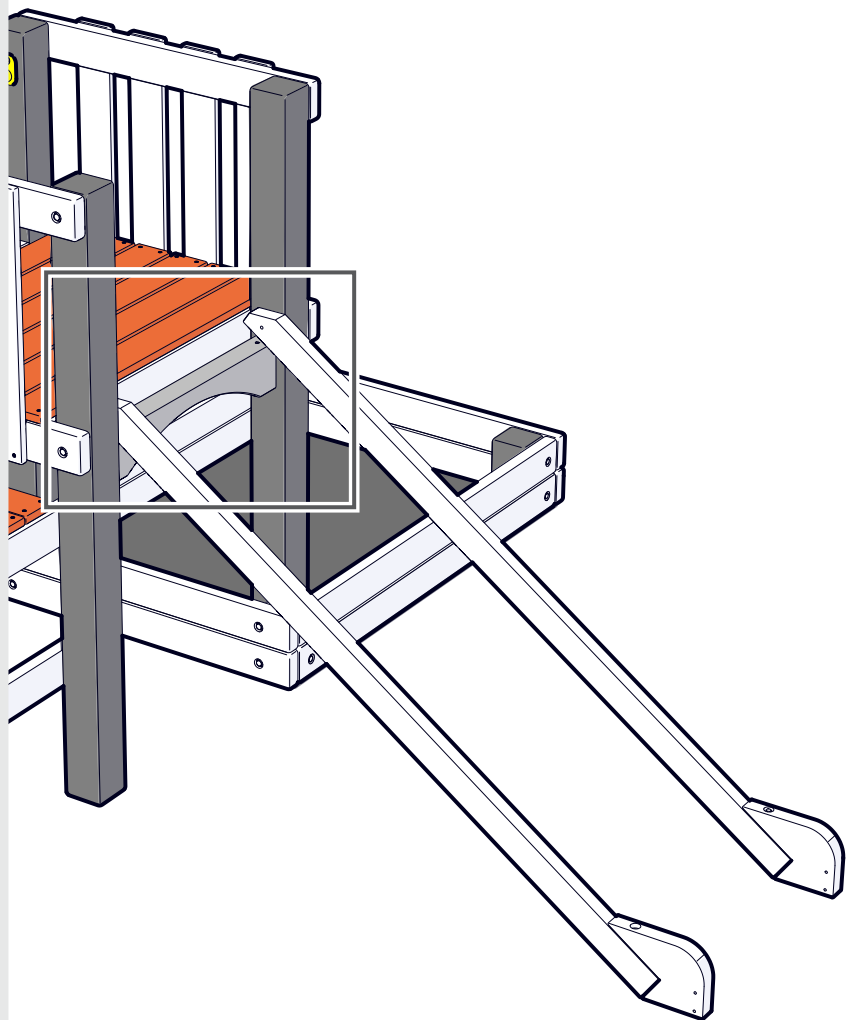


PARTS NEEDED

2X - SLIDE SIDE ASSEMBLY
(Assembled in previous page)

STEP 20:

Attach **two** Slide Side assemblies to inside of Corner Posts with **H1 & H9** as shown. See **Detail A & Detail B**.



HARDWARE NEEDED

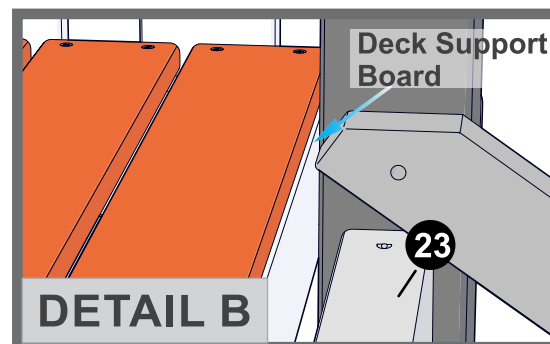
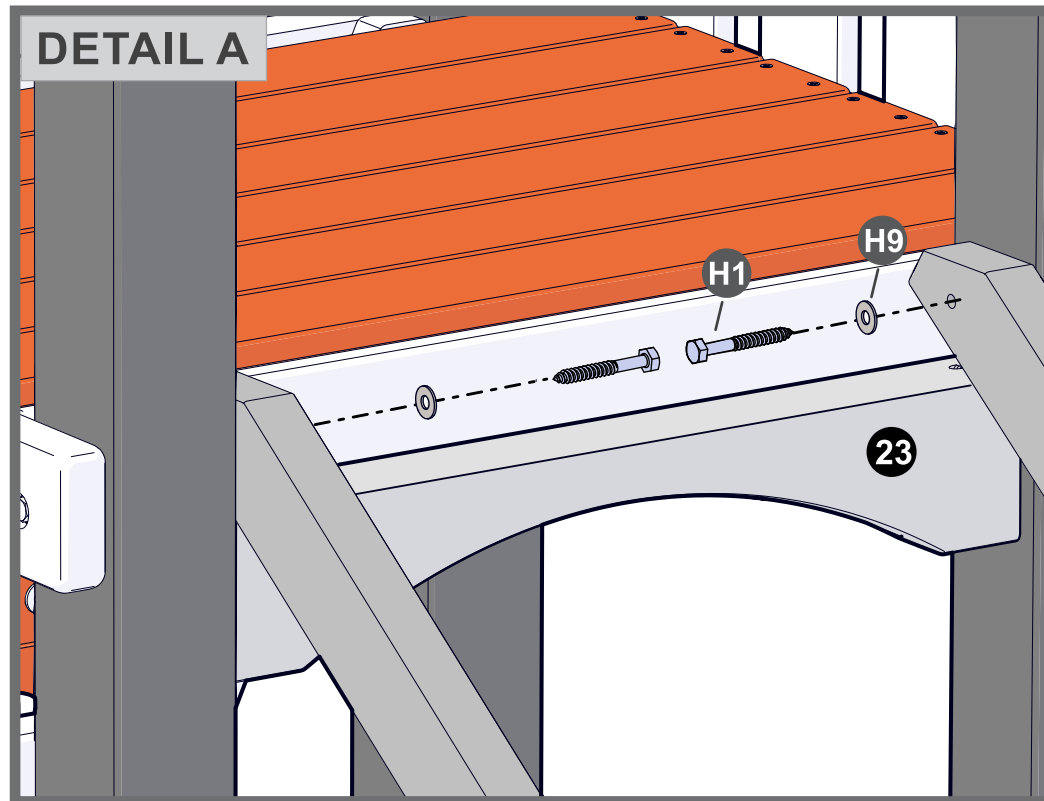


5/16" x 2.5" HEX LAG SCREW
PG-HW-L003
QTY. 2



5/16" FLAT WASHER
PG-HW-W003
QTY. 2

DETAIL A



SIDE VIEW

Set Slide Side Assemblies on **Slide Support (#23)**, then flush up against **Deck Support Board**.

PARTS NEEDED

23

Slide Spacer
PG-23-0004
QTY. 1

HARDWARE NEEDED

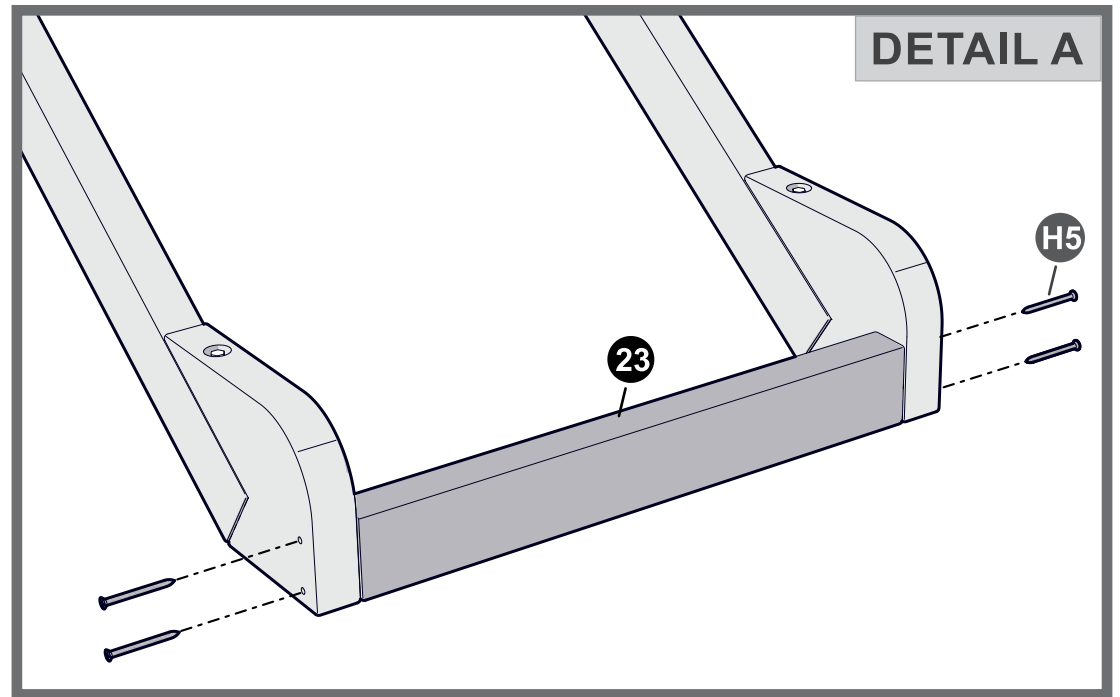
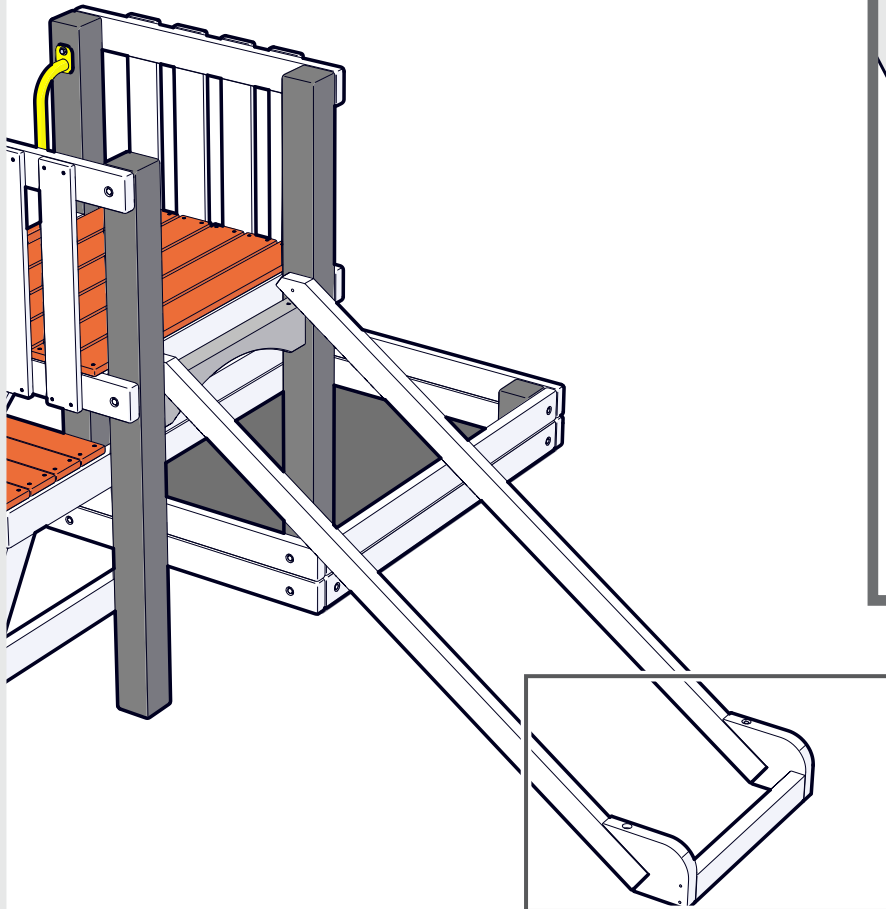
H5



#8X2" FLAT HEAD WOOD SCREW
PG-HW-S004
QTY. 4

STEP 21:

Attach **(#23)** Slide Spacer to Slide Side assemblies with **H5** as shown.



PARTS NEEDED

- 25** 2X - SLIDE UPPER SPACER
- 26** SLIDE SUPPORT CENTER
- 27** SLIDE BASE BLOCK CENTER

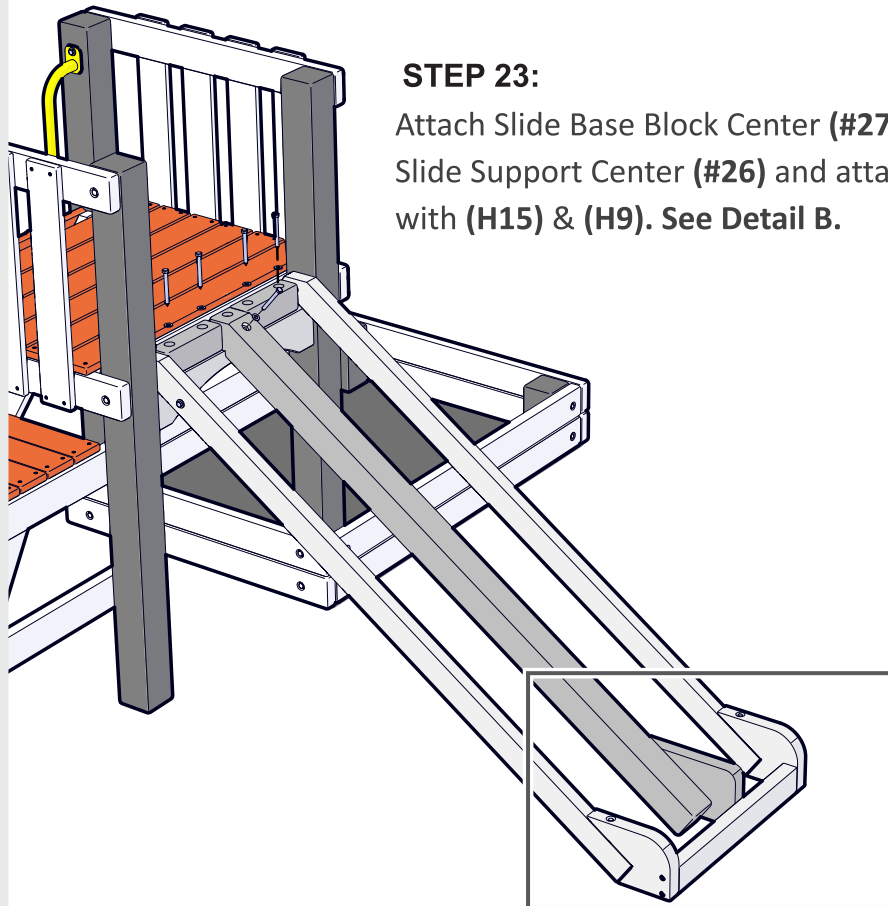
STEP 22:

Place Support Center (#26) and one Upper Spacer (#25) on each side. Center the parts in between the Slide Sides and attach with (H15) & (H9). See Detail A.

NOTE: Notch on (#26) rests on Slide Support.

STEP 23:

Attach Slide Base Block Center (#27) on Slide Support Center (#26) and attach with (H15) & (H9). See Detail B.



HARDWARE NEEDED

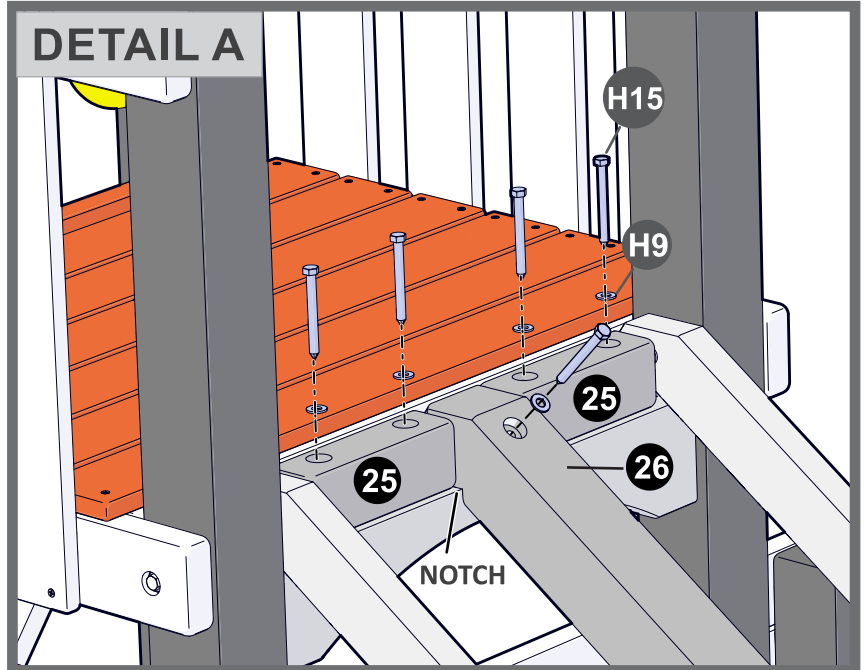


5/16" X 3" LAG SCREW
PG-HW-L004
QTY. 6

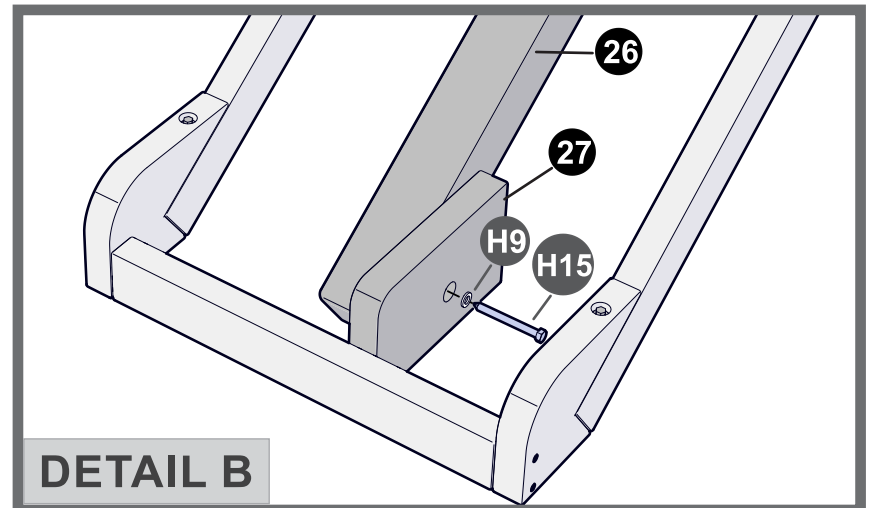


5/16" FLAT WASHER
PG-HW-W003
QTY. 6

DETAIL A



DETAIL B

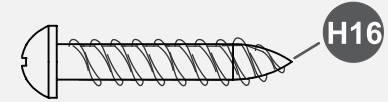


PARTS NEEDED

21

Slide Sheet
3M-9145-00
QTY. 1

HARDWARE NEEDED



#10 X 1.25" ROUND HEAD SCREW
PG-HW-S002
QTY. 3

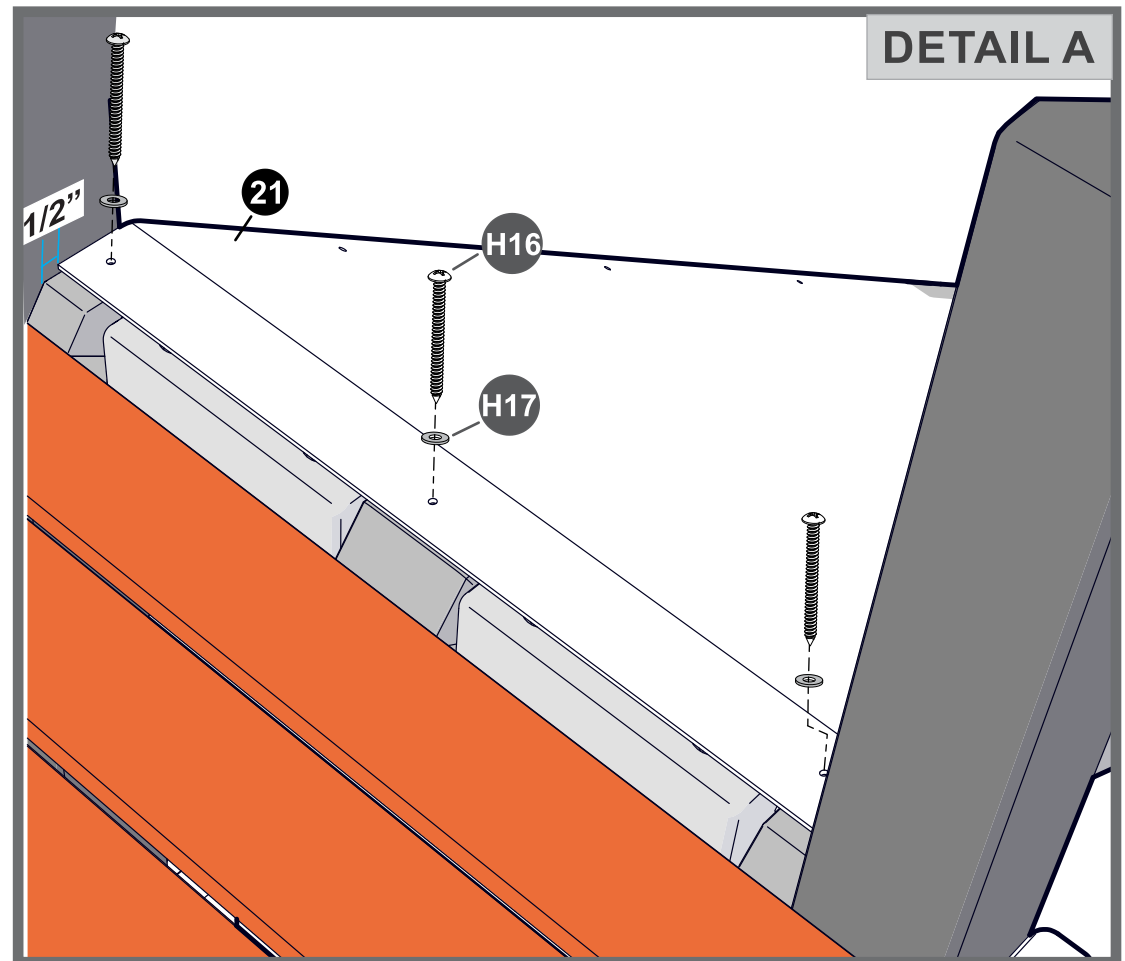
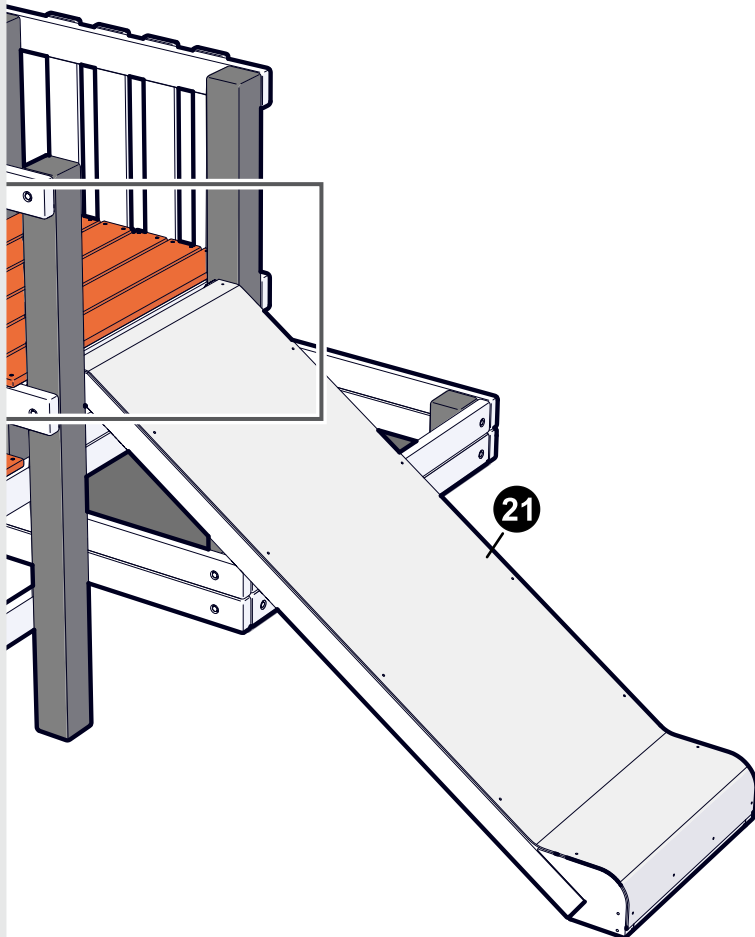


#10 FLAT WASHER
PG-HW-W001
QTY. 3

STEP 24:

Attach **(#21)** Slide Sheet to Slide Side assemblies with screw as shown.

NOTE: Leave about 1/2" from the top end of the slide sides when attaching **(#35)**. See illustration below.



PARTS NEEDED

21

Short Slide Sheet
3M-9145-00
QTY. 1

HARDWARE NEEDED

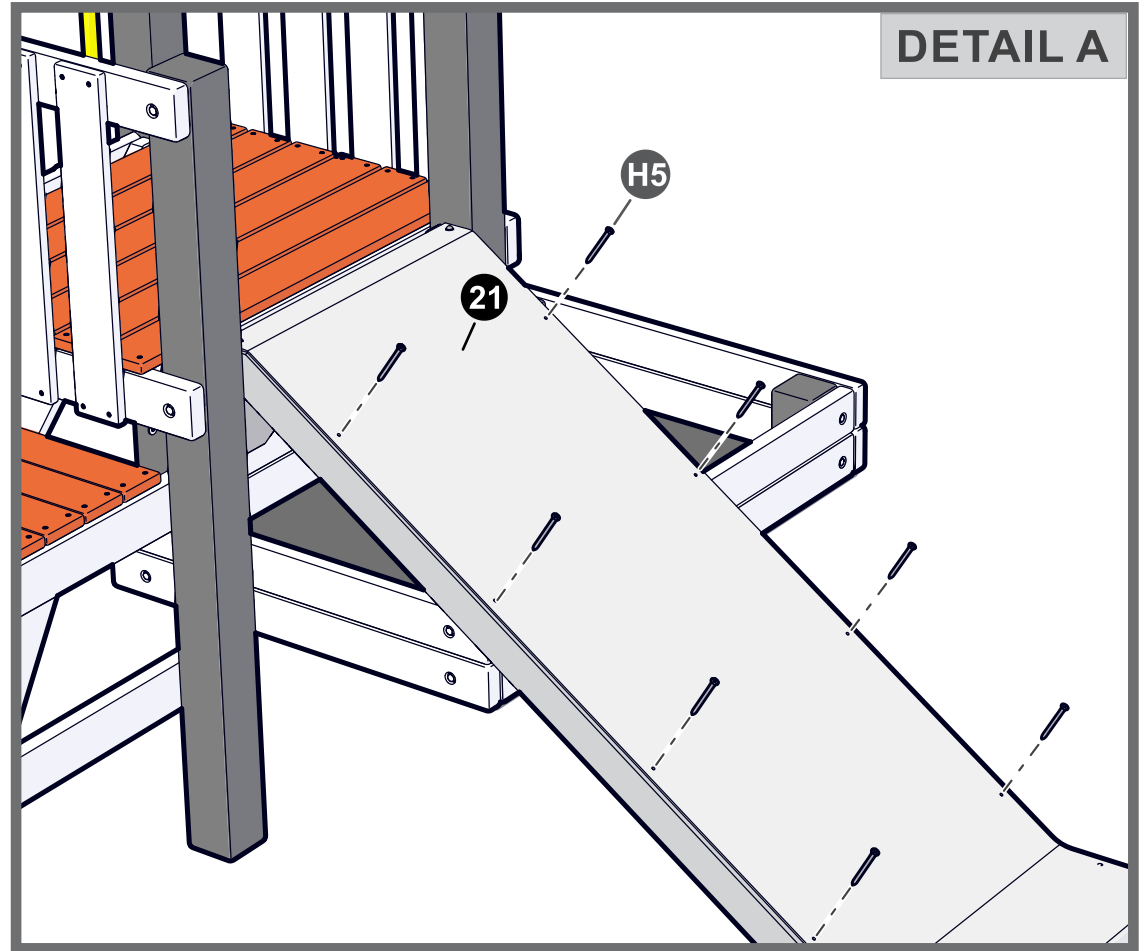
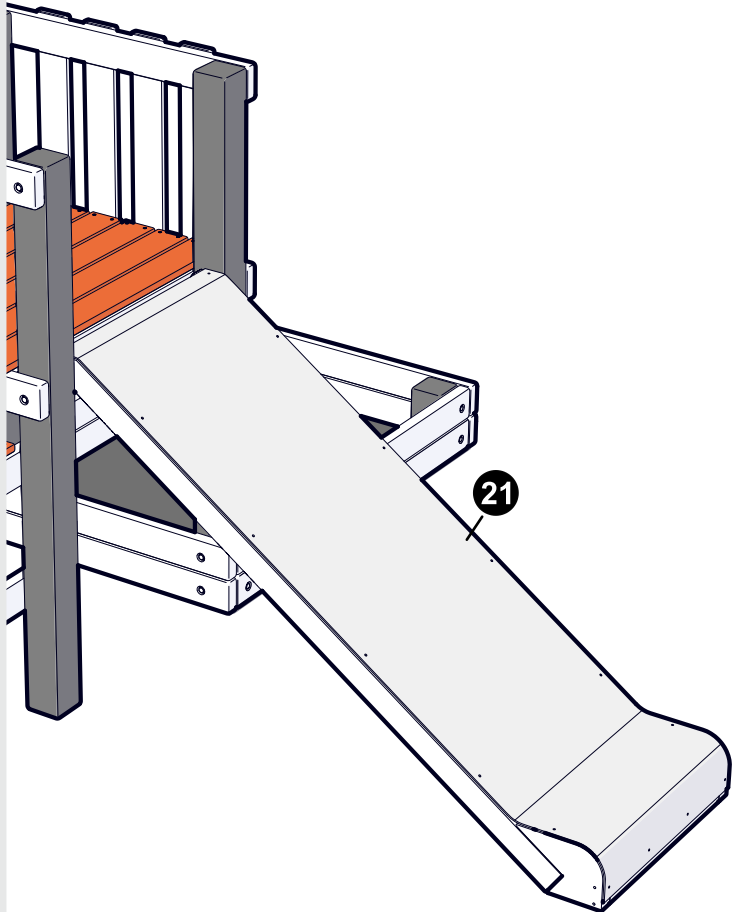
H5



#8X2" FLAT HEAD WOOD SCREW
PG-HW-S004
QTY. 8

STEP 25:

Secure Slide Sheet (**#21**) to Slide Side assemblies
with **H5** as shown.



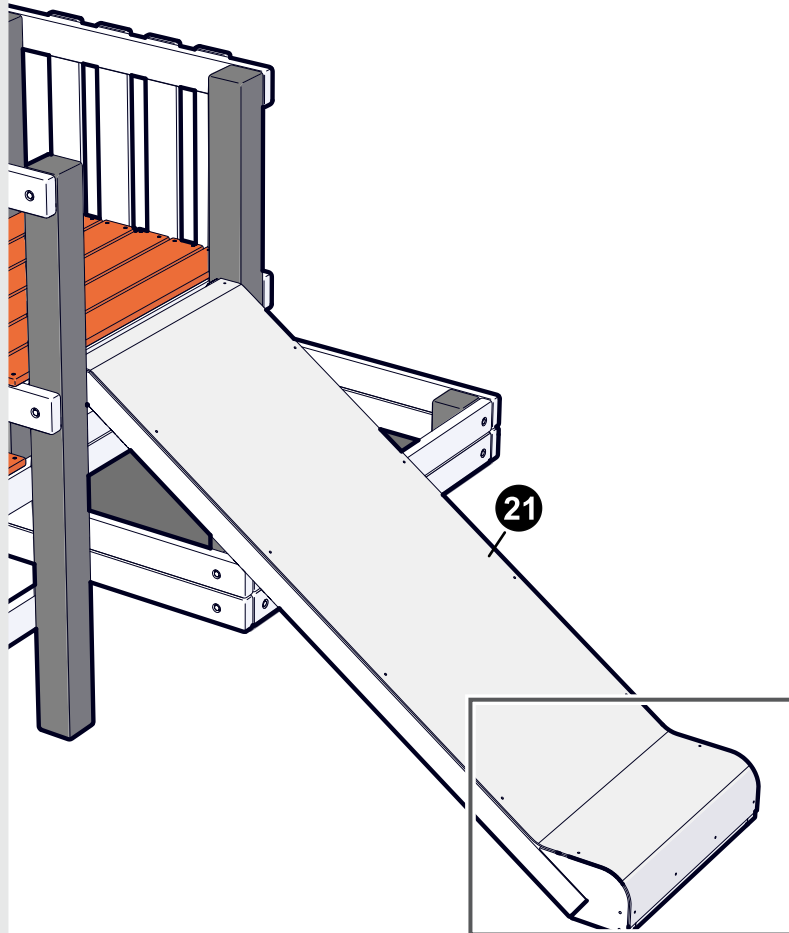
PARTS NEEDED

21

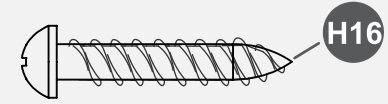
Short Slide Sheet
3M-9145-00
QTY. 1

STEP 26:

Secure Bottom section of **(#21)** Slide Sheet to Slide Side assemblies and Slide Spacer with screws and Washers as shown.



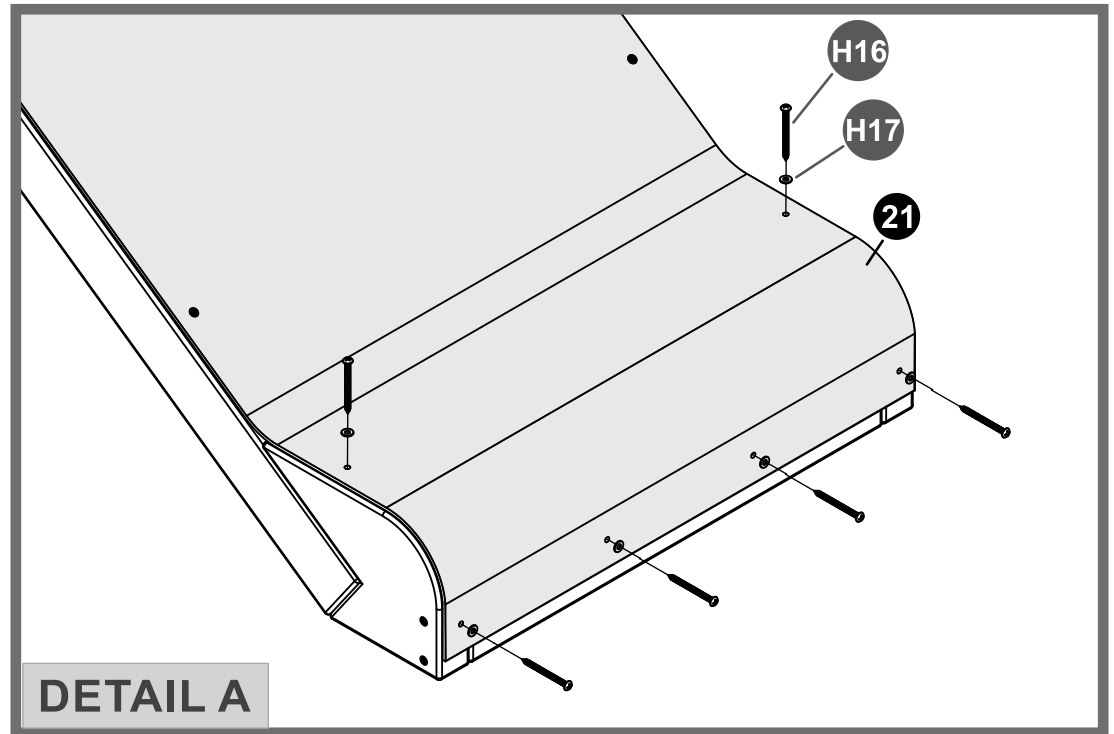
HARDWARE NEEDED



#10 X 1.25'' ROUND HEAD SCREW
PG-HW-S002
QTY. 6



#10 FLAT WASHER
PG-HW-W001
QTY. 6



PARTS NEEDED

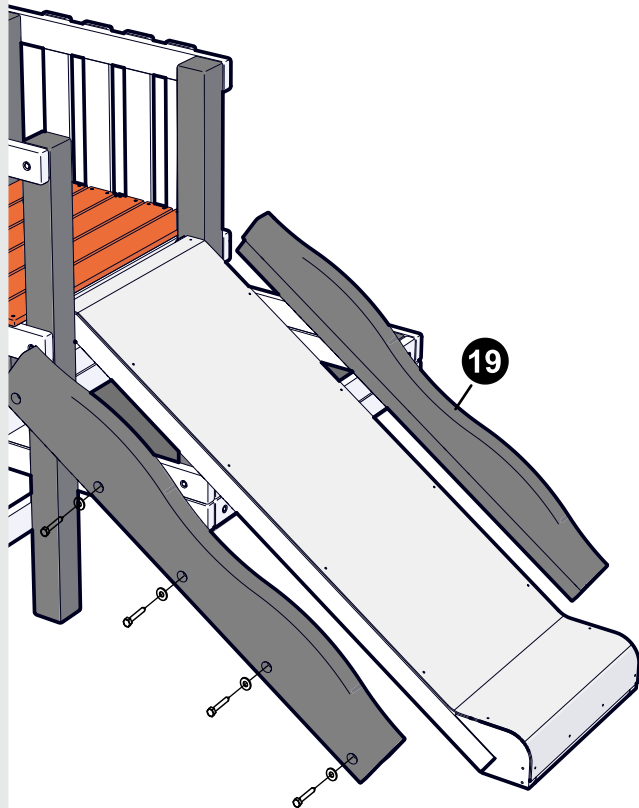
19

Slide Rail
3M-9143-00
QTY. 2

STEP 27:

Attach **(#19)** Slide Rails to Slide Sides with Lag Screw and Washer as shown.

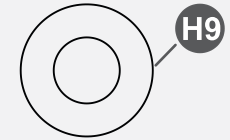
Congratulations! Assembly is complete.



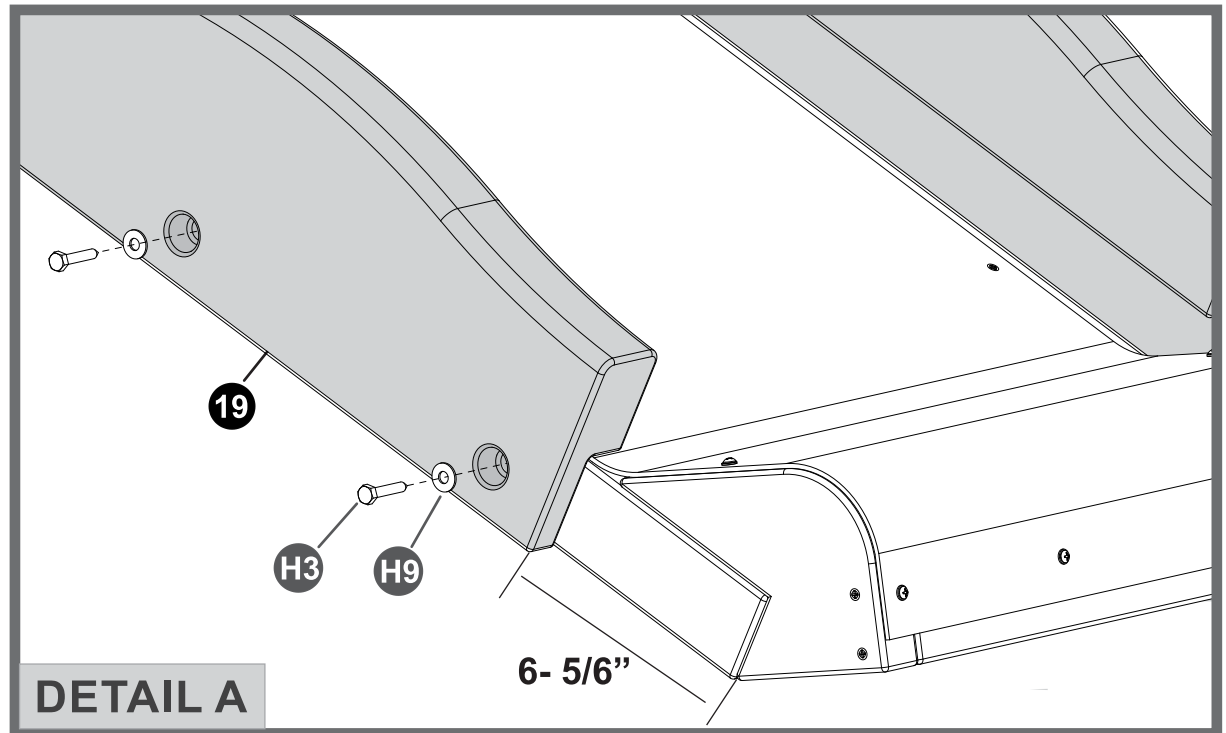
HARDWARE NEEDED



5/16" X 1.5" LAG
QTY. 10



5/16" FLAT WASHER
PG-HW-W003
QTY. 10



Consumer Information Sheet for Playground Surfacing Materials¹

The U.S. Consumer Product Safety Commission (CPSC) estimates that about 100,000 playground equipment-related injuries resulting from falls to the ground surface are treated annually in the U.S. hospital emergency rooms. Injuries involving this hazard pattern tend to be among the most serious of all playground injuries, and have the potential to be fatal, particularly when the injury is to the head.

The surface under and around playground equipment can be a major factor in determining the injury-causing potential of a fall. It is self evident that a fall onto a shock absorbing surface is less likely to cause a serious injury than a fall onto a hard surface. Playground equipment should never be placed on hard surfaces such as concrete or asphalt and while grass may appear to be acceptable it may quickly turn to hard packed earth in areas of high traffic. Shredded bark mulch, wood chips, fine sand or fine gravel are considered to be acceptable shock absorbing surfaces when installed and maintained at a sufficient depth under and around playground equipment.

The following table lists the maximum height from which a child would not be expected to sustain a life-threatening head injury in a fall onto four different loose-fill surfacing materials if they are installed and

maintained at depths of 6", 9", and 12". However, it should be recognized that all injuries due to falls cannot be prevented no matter what surfacing material is used.

It is recommended that a shock absorbing material should extend a minimum of 6' in all directions from the perimeter of stationary equipment such as climbers and slides. However, because children may deliberately jump from a moving swing, the shock absorbing material should extend in the front and rear of a swing a minimum distance of 2 times the height of the pivot point measured from a point directly beneath the pivot point supporting structure.

This information is intended to assist in comparing the relative shock-absorbing properties of various materials. No particular material is recommended over another. However, each material is only effective when properly maintained. Materials should be checked periodically and replenished to maintain correct depth as determined necessary for your equipment. The choice of a material depends on the type and height of the playground equipment, the availability of the material in your area, and its cost.

FALL HEIGHT IN FEET FROM WHICH A LIFE THREATENING HEAD INJURY WOULD NOT BE EXPECTED

TYPE OF MATERIAL	6" DEPTH	9" DEPTH	12" DEPTH
Double Shredded Bark Mulch	6'	10'	11'
Wood Chips	6'	7'	12'
Fine Sand	5'	5'	9'
Fine Gravel	6'	7'	10'

¹This information has been extracted from the CPSC publications "Playground Surfacing—Technical Information Guide" and "Handbook for Public Playground Safety." Copies of these reports can be obtained by sending a postcard to the Office of Public Affairs, U.S. Consumer Product Safety Commission, Washington, D.C. 20207. Or call the toll-free hotline: 1-800-638-2772.

JACK & JUNE WARRANTY

1 Year Warranty

Subject to proper installation and normal residential use, Jack & June warrants, subject to the limitations stated below, to the original retail purchaser, all chain, seats, swing hangers, hardware, metal braces, ropes and accessories to be free from defects in material and workmanship for a period of **one years** from date of purchase. Cracks in non -functional plastic components are not considered defects in materials and workmanship if they do not affect the functionality of the playset. Merchandise covered under this limited **one-year** warranty will, at our option, be repaired or replaced, excluding any freight or labor fees.

5 Year warranty

In addition, for **Five years** after the original purchase date of our **Cedar** playsets, Jack & June warrants, to the original retail purchaser, all wooden components against structural failure due to corrosion, wood rot, or insect infestation. Seasonal checks, surface cracks, knotholes and knots, not resulting in structural failure, are natural characteristics of all wooden play equipment, are not covered under this warranty and will not affect the integrity of your playset.

Jack & June warrants to the original retail customer that we will replace any swing hangers, swing chains, metal braces, metal rungs or hardware that fail due to rust or breakage (excludes surface rust).

Timber is a natural material which can absorb and release moisture. Although this product is designed to minimize this effect, in certain circumstances some movement or distortion is unavoidable. During dry hot weather timber may shrink and check - this is a normal process of weathering. After the first year of service it is advisable to clean and apply a non-toxic stain or sealant to the wood, safe for children's use.

Components covered under this **5 year, 1 year** warranty will be replaced free of charge excluding freight and labor fees.

Non-residential use of the playset is prohibited and voids the warranty as the playsets are designed for residential use only.

Escalade Sports reserves the right to examine photographs and/or physical evidence of merchandise claimed to be defective, and to recover said merchandise, prior to disposition of warranty claims. Merchandise returned to our factory for examination or recovery must be shipped freight prepaid, unless a Return Authorization Number is issued.

This warranty program does not cover normal wear and tear, color fading, or damages resulting from misuse, abuse, vandalism, alteration, acts of God, or assembly and maintenance contrary to our instructions. Escalade Sports assumes no responsibility for incidental or consequential damages which may arise from the purchase or use of our equipment. Please supervise your children's play activity and maintain your play equipment periodically.

This warranty is expressly in lieu of all other warranties, expressed or implied, including warranties of merchantability or fitness for use. Jack & June does not assume or authorize any person to assume for us, any other liability in connection with the sale of our products.

Special Note: Jack & June reserves the right to make changes in materials, design, and pricing without notice. See your instruction manual for maintenance requirements. Your child's safety is your responsibility; therefore, you should inspect this equipment regularly for wear and safety.

For warranty service, contact:

Escalade Sports

P.O. Box 889

Evansville, IN 47706

1-800-GO-SWING

Or E-Mail us at: playgroundcs@escaladesports.com