

KATHRYN CHAIR ASSEMBLY INSTRUCTIONS



PARTS LIST Before you begin , please lay out all parts and ensure you have the correct count .

#	DESCRIPTION	QTY	ILLUSTRATION
A	CHAIR BACK	1	
B	CHAIR SEAT	1	
C	FRONT LEGS	2	
1	ALLEN BOLT (5/16" x2")	2	
2	ALLEN BOLT (5/16" x2 1/2")	4	
3	ALLEN BOLT (5/16" x3 1/2")	4	
4	LOCK WASHER (5/16)	10	
5	FLAT WASHER (5/16)	10	
6	Ø4MM ALLEN KEY	1	

ASSEMBLY INSTRUCTIONS

STEP	INSTRUCTIONS	ILLUSTRATION
1	ON A CLEAN, FLAT AREA, PLACE THE CHAIR SEAT (B) UPSIDE DOWN AND REMOVE THE DUST COVER FROM THE UNDERSIDE OF THE CHAIR. ATTACH BOTH FRONT LEGS (C) WITH FOUR 2 1/2" ALLEN BOLTS (2), SPRING WASHERS (4) AND FLAT WASHERS (5). DO NOT TIGHTEN BOLTS COMPLETELY.	



KATHRYN CHAIR ASSEMBLY INSTRUCTIONS



ASSEMBLY INSTRUCTIONS

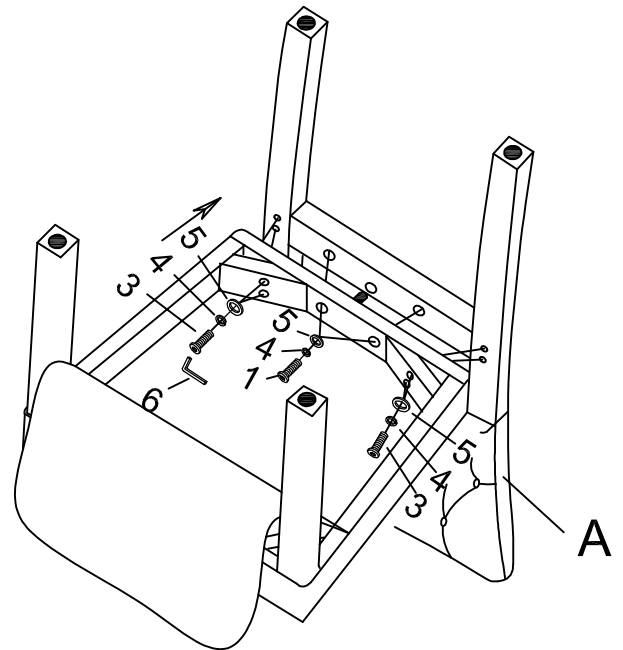
STEP

INSTRUCTIONS

ILLUSTRATION

2

CONNECT THE CHAIR BACK (A) TO THE SEAT ASSEMBLY WITH FOUR 3 1/8" ALLEN BOLTS (3), SPRING WASHERS AND FLAT WASHERS IN THE CORNERS AND ONE 2" ALLEN BOLT (1), SPRING WASHER AND FLAT WASHER IN THE CENTER OF THE CHAIR BACK. DO NOT TIGHTEN BOLTS COMPLETELY.



3

PLACE THE LOOSELY ASSEMBLED CHAIR ON A FLAT, LEVEL SURFACE AND PUT PRESSURE ON THE CHAIR SEAT TO LEVEL THE CHAIR. ONCE CHAIR IS LEVEL, TIGHTEN ALL BOLTS FROM PREVIOUS STEPS WITH PROVIDED ALLEN KEY (6) AND THEN REAPPLY DUST COVER TO UNDERSIDE OF SEAT. ENSURE ALL BOLTS ARE COMPLETELY TIGHTENED BEFORE USE.

