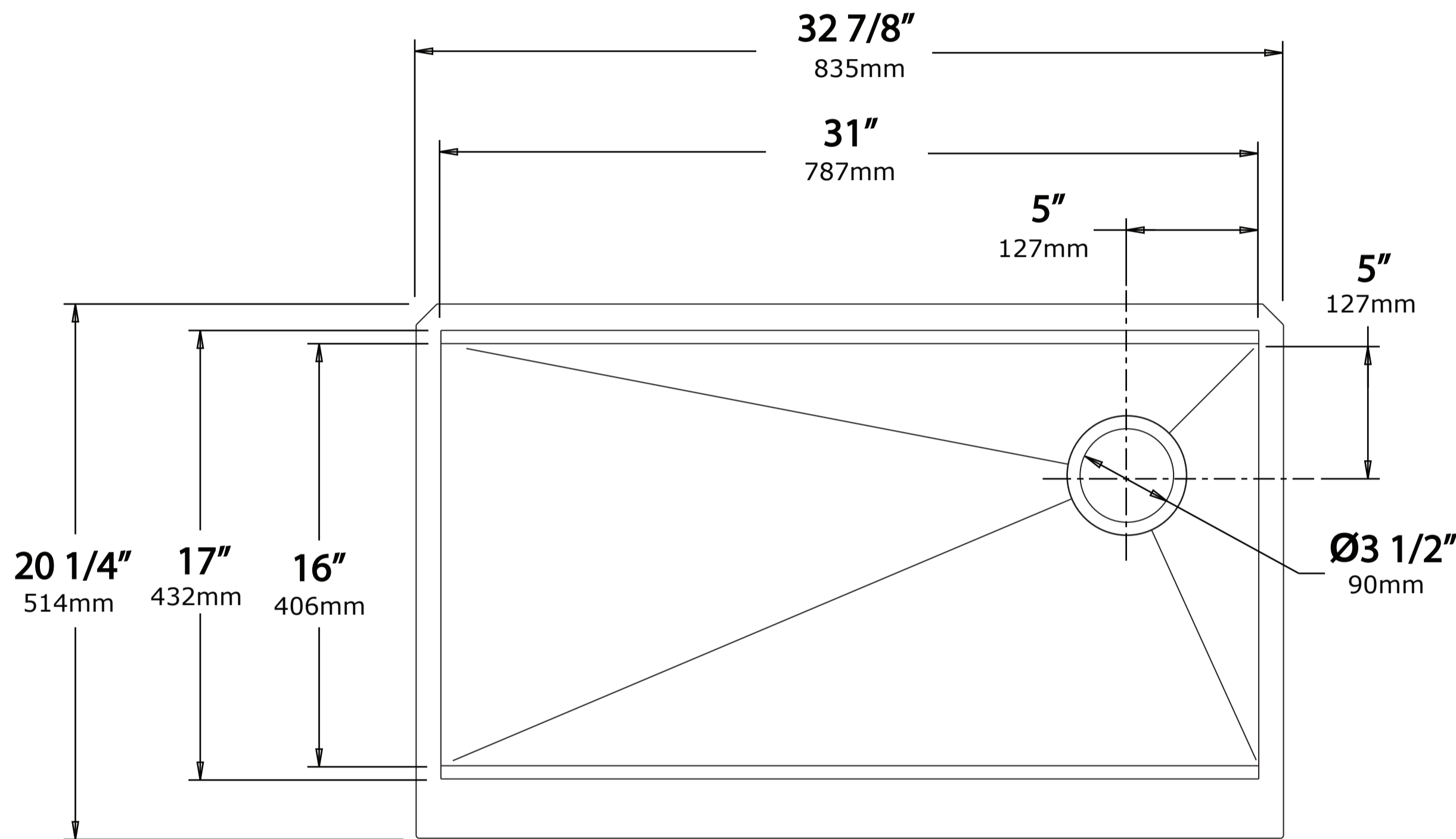




**Model No.  
KWF410-33**

**Undermount Cut-out**

**Pro Hotline: 516.801.8955  
Customer Service: 800.775.0703**



**NOTE:** Cutout template is provided as a guide **ONLY** and must be checked against actual sink to verify correct fit.

Please tear perforated edge for zero / flushed reveal →

Please use outer edge for positive reveal 3/8" →