



see what Delta can do™

# BATHROOM FAUCET

- Modern Series
- Single Handle Deck Mount

## STANDARD SPECIFICATIONS:

- Max flow rate 1.2 gpm @ 60 psi, 4.5 L/min @ 414 kPa, stream straightener type flow
- GPM models provide 1.0 gpm @ 60 psi, 3.8 L/min @ 414 kPa, stream straightener type flow
- HGM models provide 0.5 gpm @ 60 psi, 1.9 L/min @ 414 kPa, stream straightener type flow
- One or three-hole mount (Escutcheon not included)
- Ceramic disc cartridge
- Optional red/blue indicator ring provided with model
- Solid brass body
- Model has metal drain with push pop-up type fitting with plated flange and stopper, no lift rod hole
- 1/4" O.D. straight, staggered PEX supply lines

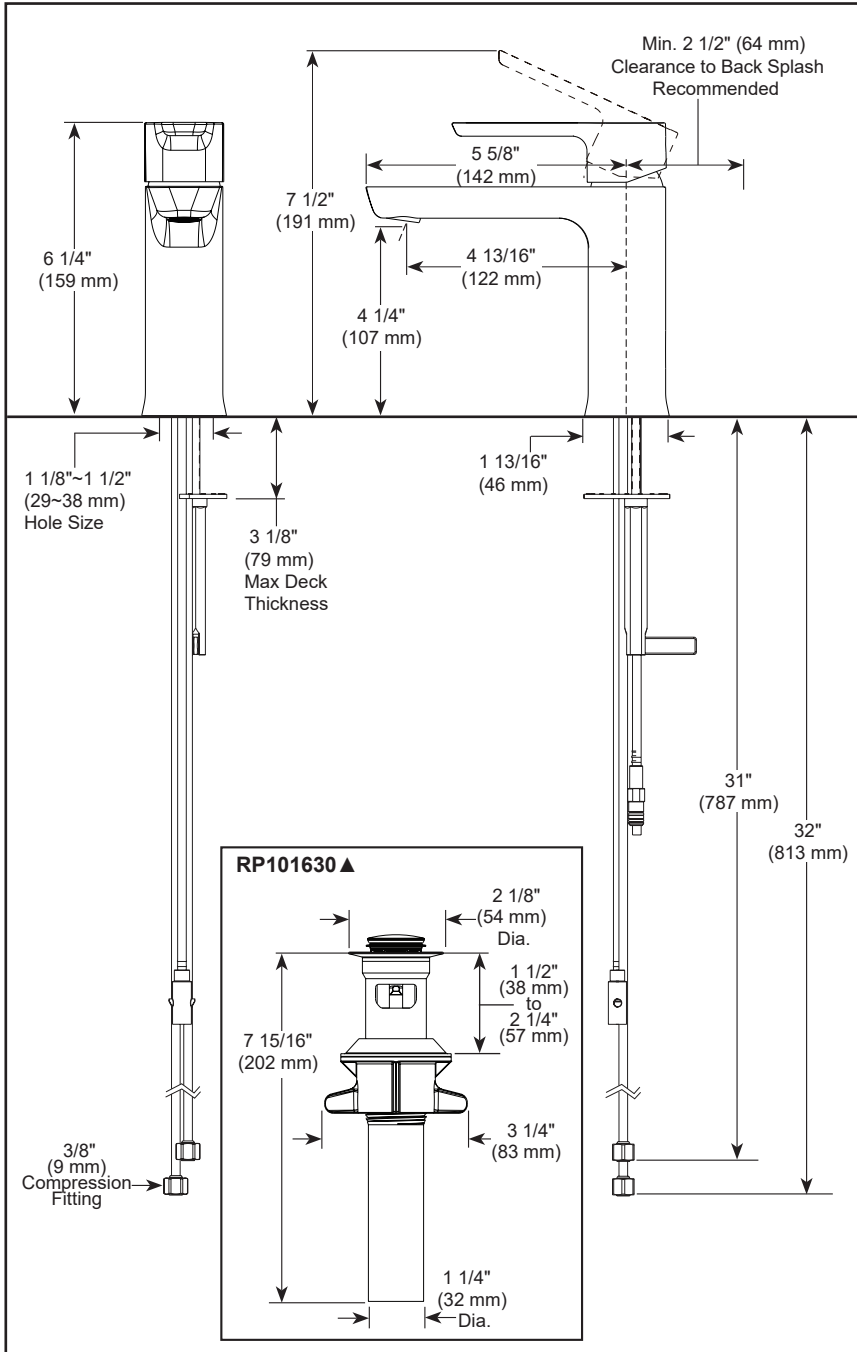
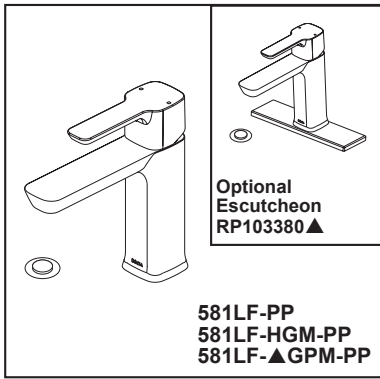
## WARRANTY

- Parts and Finish - Lifetime limited warranty; or for commercial purchasers, 10 years for multi-family residential (apartments and condominiums) and 5 years for all other commercial uses, in each case from the date the product is received by the original purchaser or their authorized representative (installation contractor, etc.).
- Please go to [www.deltafaucet.com](http://www.deltafaucet.com) for the complete details of our limited warranty.



## COMPLIES WITH:

- ASME A112.18.1 / CSA B125.1
- ASME A112.18.2 / CSA B125.2
- NSF/ANSI/CAN 61 & 372
- EPA WaterSense® - Applies to 581LF-PP, 581LF-GPM-PP, 581LF-MPU-PP
- ♿ ICC/ANSI A117.1



▲ Designate proper finish suffix

Delta Faucet Company reserves the right (1) to make changes in specifications and materials, and (2) to change or discontinue models, both without notice or obligation. Dimensions are for reference only. See current full-line price book or [www.deltafaucet.com](http://www.deltafaucet.com) for finish options and product availability.

DSP-L-581LF-PP Rev. G

## Delta Faucet Company

55 E. 111th Street, Carmel, IN 46280  
 350 South Edgeware Road, St. Thomas, ON N5P 4L1  
 © 2025 Delta Faucet Company