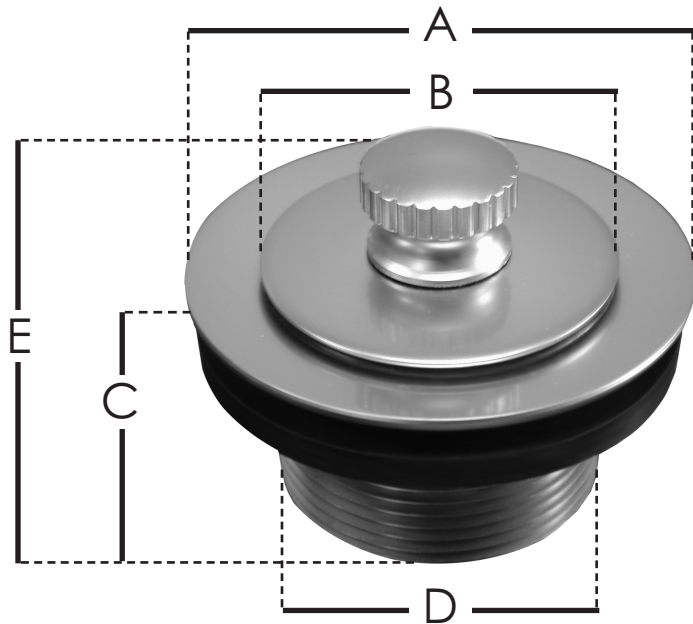


SPECIFICATION SUBMITTAL SHEET

JONES STEPHENS CORPORATION

FRICTION LIFT TUB DRAIN



PART NO.	DESCRIPTION	A	B	C	D	E
<input type="checkbox"/> P35-61AB	Antique Brass	2 13/16"	2"	1 3/8"	1 7/8"	2"
<input type="checkbox"/> P35-61AL	Almond	2 13/16"	2"	1 3/8"	1 7/8"	2"
<input type="checkbox"/> P35-61AN	Antique Nickel	2 13/16"	2"	1 3/8"	1 7/8"	2"
<input type="checkbox"/> P35-61BI	Biscuit	2 13/16"	2"	1 3/8"	1 7/8"	2"
<input type="checkbox"/> P35-61BL	Black	2 13/16"	2"	1 3/8"	1 7/8"	2"
<input type="checkbox"/> P35-61BN	Brushed Nickel	2 13/16"	2"	1 3/8"	1 7/8"	2"
<input type="checkbox"/> P35-61BS	Brushed Stainless	2 13/16"	2"	1 3/8"	1 7/8"	2"
<input type="checkbox"/> P35-61CO	Copper	2 13/16"	2"	1 3/8"	1 7/8"	2"
<input type="checkbox"/> P35-61NP	Pearl Nickel	2 13/16"	2"	1 3/8"	1 7/8"	2"
<input type="checkbox"/> P35-61PN	Polished Nickel	2 13/16"	2"	1 3/8"	1 7/8"	2"
<input type="checkbox"/> P35-61PS	Polished Stainless	2 13/16"	2"	1 3/8"	1 7/8"	2"
<input type="checkbox"/> P35-61PW	Polar White	2 13/16"	2"	1 3/8"	1 7/8"	2"
<input type="checkbox"/> P35-61RB	Oil Rubbed Bronze	2 13/16"	2"	1 3/8"	1 7/8"	2"
<input type="checkbox"/> P35-61WB	Old World Bronze	2 13/16"	2"	1 3/8"	1 7/8"	2"

This product and others like it can be found in the Jones Stephens catalog.
Call today to order your catalog or download it from our website: www.plumbest.com

Jones Stephens Corporation

3249 MOODY PARKWAY • MOODY, ALABAMA 35004
TOLL FREE PHONE: 1-800-355-6637 • TOLL FREE FAX: 1-800-462-6991
www.plumbest.com