



SEATON CEILING LIGHT PC SKU# 588954-PC

ASSEMBLY / INSTALLATION INSTRUCTIONS

Please read carefully and save these instructions, as you may need them at a later date.

CAUTION

Turn off the main power at the circuit breaker before installing the fixture, in order to prevent possible shock.

GENERAL

All electrical connections must be in accordance with local and National Electrical Code (N.E.C.) standards.

If you are unfamiliar with proper electrical wiring connections obtain the services of a qualified electrician. Remove the fixture and the mounting package from the box and make sure that no parts are missing by referencing the illustrations on the installation instructions. Tools are required when installing this fixture.

REQUIRED TOOLS

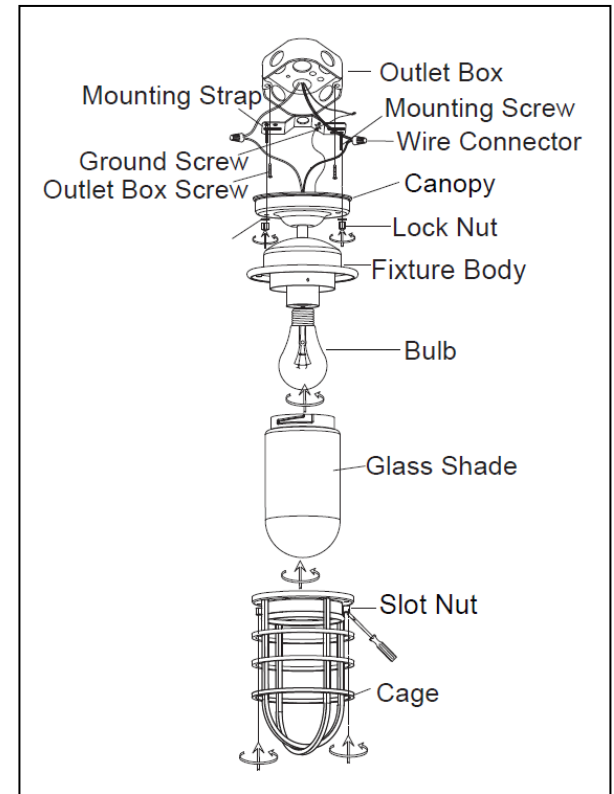
Phillips screwdriver, straight screwdriver

ASSEMBLY AND INSTALLATION

Turn off the power at fuse or circuit breaker.

1. Carefully unpack the fixture, lay out all parts on a clean surface.
2. Attach the MOUNTING STRAP to OUTLET BOX using provided the OUTLET BOX SCREWS.
3. Tie the ground wire from OUTLET BOX and from fixture to the GROUND SCREW on the MOUNTING STRAP.
Connect white fixture wire to white supply wire (neutral wire). Connect black fixture wire to black supply wire (live wire). Cover connections using provided WIRE CONNECTORS.
4. Raise the CANOPY against the ceiling and over the MOUNTING SCREWS. Then secure the CANOPY by the LOCK NUT firmly.
5. Install the BULB (Not included).
6. Twist the GLASS SHADE onto the FIXTURE BODY tightly, then place the CAGE onto FIXTURE BODY and secure it with the SLOT NUT by straight screwdriver (not included) tightly.

Turn on the power at fuse or circuit breaker.



ITEM# 588954-PC

***IF IN DOUBT ABOUT ELECTRICAL INSTALLATION,
CONSULT A LICENSED ELECTRICIAN.***