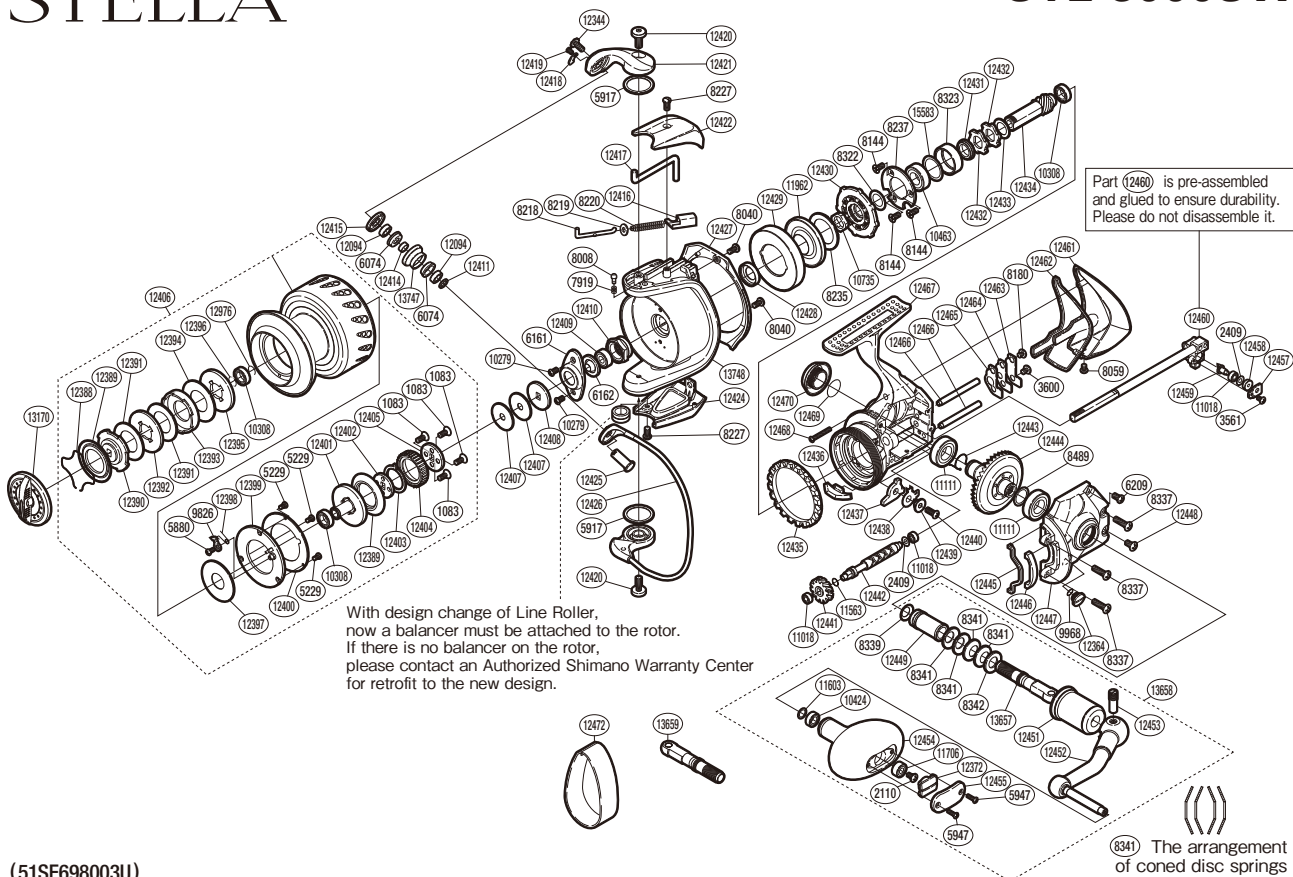


SHIMANO

STELLA

STL-8000SW



(51SE698003U)

#	Part No.	Description	#	Part No.	Description	#	Part No.	Description
1083	10ML8	Screw	12344	10K46	Screw	12434	105E3	Pinion Gear
2110	103E9	Screw	12364	109PM	Oil Cap	12435	104FX	Friction Ring
2409	1059U	Washer	12372	10B97	Handle Knob Seal	12436	107DY	Bail Trip Strike
3561	10MT4	Screw	12388	10B89	Drag Washers Retainer	12437	10J3R	Assist Anti-Reverse Pawl
3600	103L4	Screw	12389	10LQY	Seal Plate	12438	102VH	Anti-Reverse Pawl Cover
5229	10LVE	Screw	12390	10BA0	Key Washer	12439	10J3U	Anti-Reverse Pawl Collar
5880	10MT3	Screw	12391	1031S	Drag Washer	12440	103HM	Screw
5917	10HDP	Washer	12392	10BE9	Eared Washer	12441	10TU3	Idle Gear
5947	103NH	Screw	12393	10Q6U	Key Washer	12442	102JN	Worm Shaft
6074	107RC	Line Roller Bushing	12394	10QC4	Drag Washer	12443	10804	Anti-Reverse Pawl Spring
6161	10K2U	Rotor Nut Lock Plate	12395	10Q11	Eared Washer	12444	109YR	Drive Gear
6162	107F4	Bearing Water Proof	12396	109EC	O Ring	12445	10CB5	Flange Water Proof
6209	103HD	Screw	12397	10C17	Drag Washer	12446	10J3K	Friction Ring Spacer
7919	1077Q	Click Spring	12398	10BQ8	Drag Click Spring	12447	10JKL	Side Cover
8008	10CH8	Click Pin	12399	10Q6C	Spool Pin Cover	12448	10M6K	Screw
8040	10MHG	Screw	12400	10Q6M	Spool Pin Cover Plate	12449	10M27	Handle Shaft Cover A
8059	10L9D	Screw	12401	10LTM	Bearing Bushing	12451	10C7K	Handle Shaft Cover B
8144	10ML2	Screw	12402	103P1	Spool Support A	12452	107UV	Handle Shank Assembly
8180	103C9	Screw	12403	107V4	Ratchet Spring	12453	10PV0	Handle Shaft Screw
8218	105RH	Bail Spring Guide A	12404	107PT	Drag Click Ratchet	12454	102KC	Handle Knob
8219	10HD9	Spring Guide A Support	12405	10HZY	Spool Support B	12455	108T0	Handle Knob I.D. Plate
8220	105FY	Bail Spring	12406	10HNB	Spool Assembly	12457	10H7R	Oscillating Pawl Cover
8227	10CYT	Screw	12407	10BXL	Spool Washer	12458	10JV3	Oscillating Slider Bushing
8235	10L5Y	Roller Clutch Reinforce	12408	10P3F	Spool Support C	12459	106V5	Oscillating Pawl
8237	1051T	Bearing Retainer	12409	105C9	Bail Bearing	12460	108EV	Main Shaft Assembly
8322	10HHM	Washer	12410	1080G	Rotor Nut	12461	10GGB	Rear Protector
8323	10JA8	Bearing Housing	12411	107EY	Line Roller Support Collar	12462	107CB	Rear Shield
8337	10MBH	Screw	12414	10GAG	Bearing Spacer	12463	10BES	Worm Shaft Retainer
8339	10PV5	Handle Shaft Seal	12415	10778	Line Roller Plate	12464	10AVB	Worm Shaft Retainer Spacer
8341	1052E	Coned Disc Spring	12416	1077L	Bail Spring Seat	12465	10H1P	Worm Shaft Retainer Washer
8342	10HVB	Small Handle Shank Washer	12417	108GL	Bail Trip Lever	12466	1030T	Oscillating Guide
8489	105UB	Washer	12418	107LE	Screw Retainer	12467	10ADV	Body
9826	1035Z	Drag Click	12419	107LF	Screw Support	12468	10LSD	Screw
9968	108W9	O Ring	12420	10Q86	Screw	12469	108WP	O Ring
10279	103EC	Screw	12421	106HM	Bail Arm	12470	10P5R	Handle Screw Cap
10308	104PN	Bail Bearing	12422	108R4	Bail Spring Cover	12976	10LWP	Bearing Retainer
10424	105BN	Bail Bearing	12424	10M9T	Bail Hold Support Guard	13170	10965	Drag Knob
10463	10BGC	Bail Bearing	12425	10P2A	Line Roller Support	13657	10JHC	Handle Shaft (Left)
10735	105B6	Stopper	12426	10PP9	Bail Assembly	13658	108Y1	Handle Assembly
11018	10PDA	Bail Bearing	12427	1073S	Rotor Guard	13747	10KU7	Line Roller
11111	104PV	Bail Bearing	12428	10K7H	Rotor Ring	13748	10A4K	Rotor
11563	10CJV	Worm Shaft Ring	12429	10HFW	Roller Clutch Cover	15583	10GF9	Washer
11603	10HV3	Washer	12430	10QRF	Roller Clutch Assembly			
11706	10KX1	Bail Bearing	12431	10BAD	Pinion Gear Collar			
11962	10MGZ	Roller Clutch Water Proof	12432	107VL	Anti-Reverse Ratchet	12472	10TU5	Line Band (Accessory)
12094	104K1	Bail Bearing	12433	10HHN	Washer	13659	10FEY	Handle Shaft (Right) (Accessory)

Please note that the number of adjusting washers may not be the same as shown in the exploded views. (Adjustment will vary with each individual product.)

(241224)_003