



Thank you for purchasing Leick Furniture products.  
Contact customer service for comments or concerns.

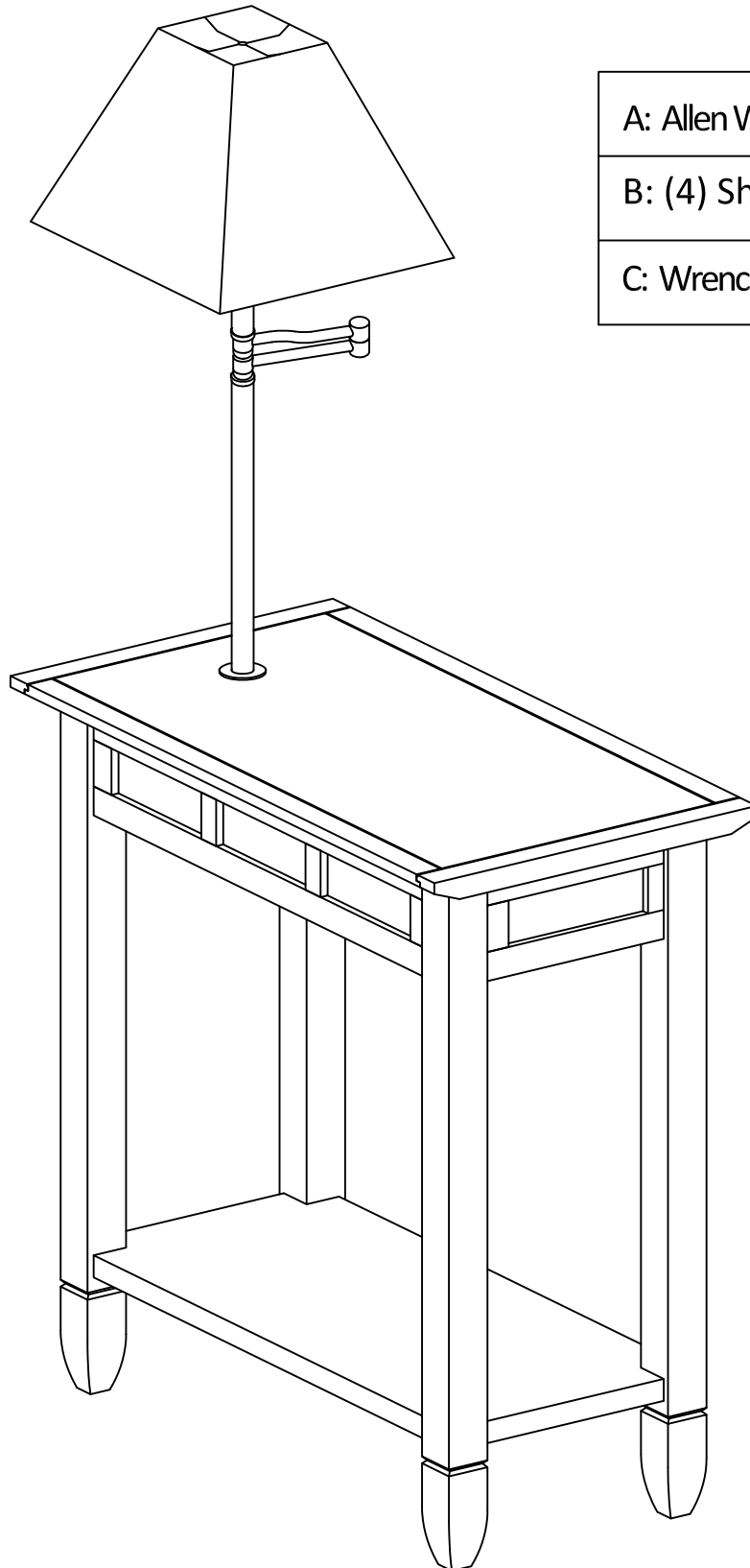
Sheboygan, WI

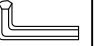


920-451-4060

info@leickfurnituresince1910.com

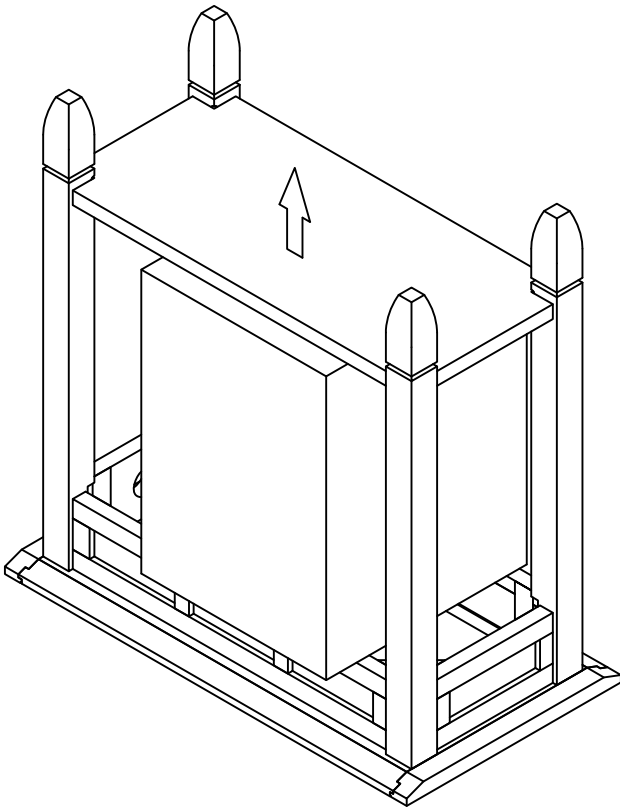
www.leickfurnituresince1910.com

# Assembly Instructions, #10025 Slate accent lamp table

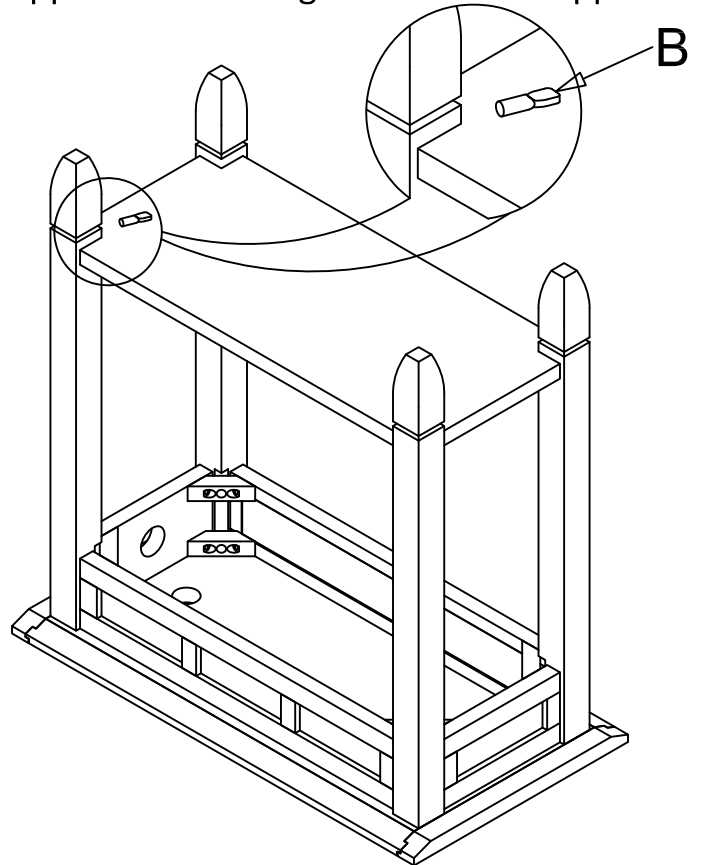


A: Allen Wrench	
B: (4) Shelf Supports	
C: Wrench	

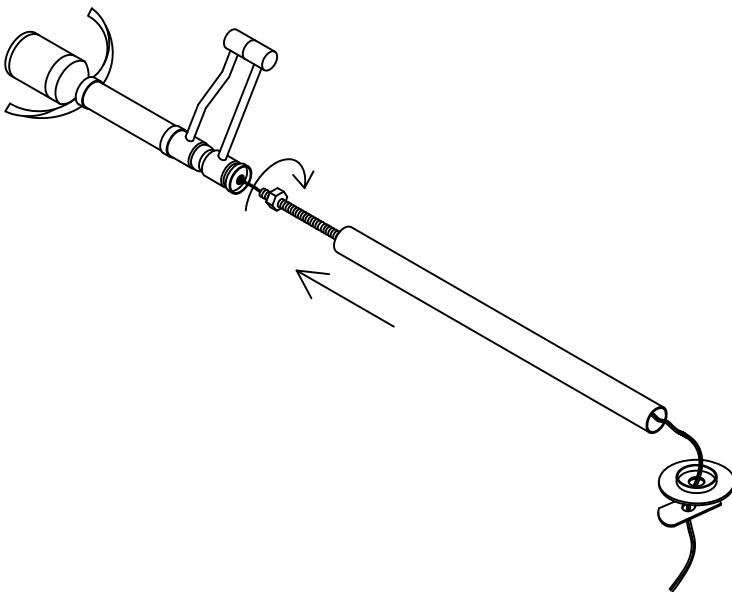
**Step 1**  
Remove all the parts inside of the table.



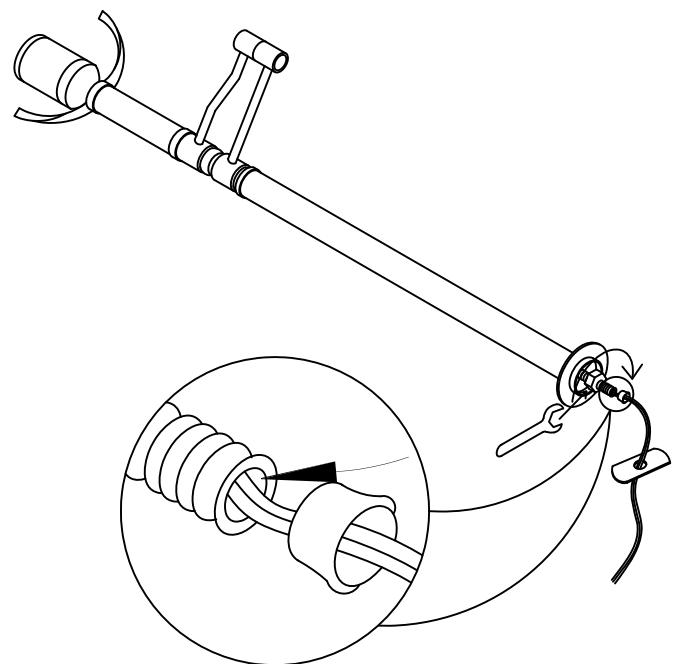
**Step 2**  
Put the shelf into the table until below shelf support holes on legs. Insert shelf supports.



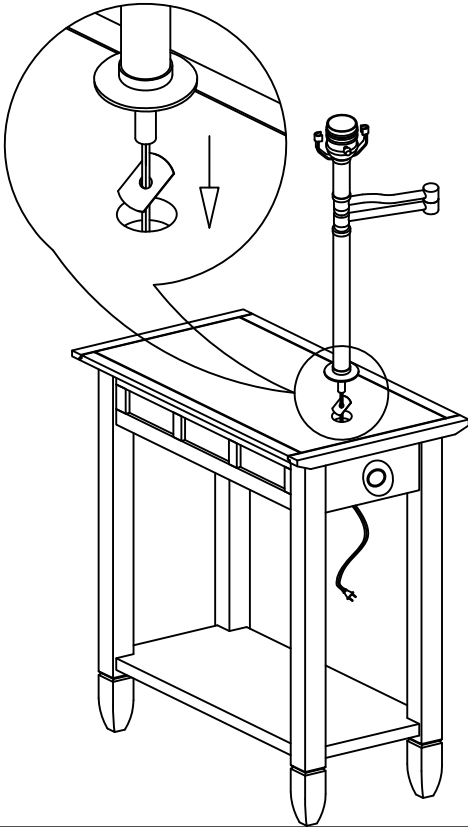
**Step 3**  
Pull on cord from bottom and slide threaded tube up to swing arm. Turn threaded tube in about three rotations and lock down with nut and wrench.



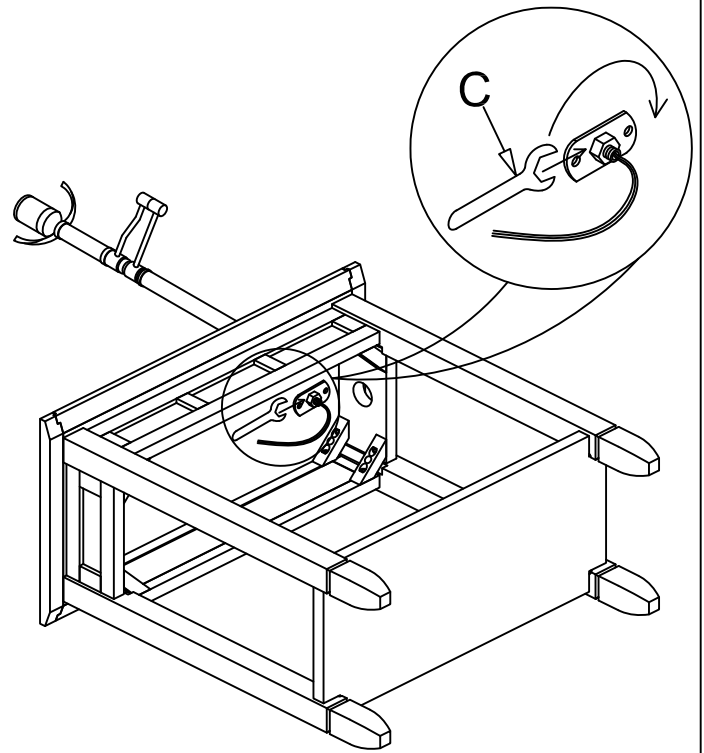
**Step 4**  
Slide plastic insulator up into bottom of threaded tube. Then slide round flange and nut up to post and tighten.



**Step 5**  
Pull the plug / cord and metal bracket through hole in table top.



**Step 6**  
Lay table on it's side. Turn the mounting bracket onto the threaded tube and tighten.



**Step 7**  
Place the harp into the fixture and install shade. Pull cord through hole in back of table and insert grommet into hole.

