

KIDS 3 DRAWER DRESSER

ASSEMBLY INSTRUCTIONS

Before You Begin: A rubber mallet is required for assembly (Not Included).

Please identify all component parts and hardware pieces required before you begin. Carefully remove all of the components from the packaging and set aside for assembly. Assemble on a soft surface to prevent scratching during assembly.

Caution:

Tighten all components securely before use. Failure to do so may result in personal injury.

DO NOT use any sharp objects to open plastic wrapped components as damage to product or components may result.

Warning:

CHOKING HAZARD - Small Parts. Adult Assembly Required.

Injuries may result from tipping furniture. You must install Tipping Restraint Hardware with the unit to prevent the unit from tipping and causing any accidental injury, instability, death or damage. The tipping restraint is intended only as a safety measure, it is not a substitute for proper adult supervision.

The tipping restraint is not an earthquake restraint. If you wish to add the extra security of earthquake restraints, they must be purchased and installed separately.

Serious or fatal crushing injuries can occur from furniture tipping over. To prevent furniture from tipping over it must be permanently fixed to the wall. Fixing devices for the wall are not included since different wall materials require different types of fixing devices. Use fixing devices suitable for the walls in your home.

Note: Manufacturer assumes no liability for improper installation or excessive loads placed on screws or brackets.

Failure to detach this restraint before moving furniture may result in injury or damage.

DO NOT ALLOW CHILDREN TO CLIMB ON FURNITURE

Customer Service Email: Customerexperience@theubiquegroup.com | Phone: 866-552-2810

196861165849



Congratulations!

You just purchased a piece of happiness. At Ubique Group, we believe you can transform your spaces into the most inspired places with furnishings that are the perfect combination of form, function and style. As original innovators of online furniture retail, we offer the best selection of popular, contemporary styles at cool, comfortable prices. And, with decades of proven shipping and packaging expertise, our Extended Quality Checklist ensures a rewarding, hassle-free experience time and time again. It's just what you need to bring your vision to life.

Thank you & Enjoy!!

your friends at Ubique Group



LIKE IT!

*Share it on social
& Tell a friend!
#Spaces2Places*



LOVE IT!

*Write an online
product review
where purchased*



NOT SURE?

*Let us help!
Contact our
customer support.*

Have a question, concern or simply need a hand? Your satisfaction is our top priority. Contact us at 866-552-2810 or customerexperience@theubiquegroup.com. We're here to help!

Browse Our Branded Collections

There's something for everyone inside our family of brands.

FLASH
FURNITURE®

MERRICK | LANE

Taylor & Logan

Emma+Oliver®


MASADA
RUGS


HBCY
CREATIONS

BlackArc®



Visit www.theubiquegroup.com/brands or scan this code.



We pride ourselves on providing an excellent customer experience starting right here with your package and instructions. Everything you need should be right where you need it, so you can get to enjoying your new item ASAP. But despite our best efforts, sometimes "slips happen." If you need any support, from replacement parts to recommendations, please reach out to our wonderful customer support team at 866-552-2810 or customerexperience@theubiquegroup.com. We're here to help!

EVERY UBIQUE GROUP PRODUCT



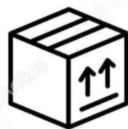
Quality &
Durability Tested



Packaged
with Care



Shipped from
our U.S. Facility



Designed
for Easy
Assembly



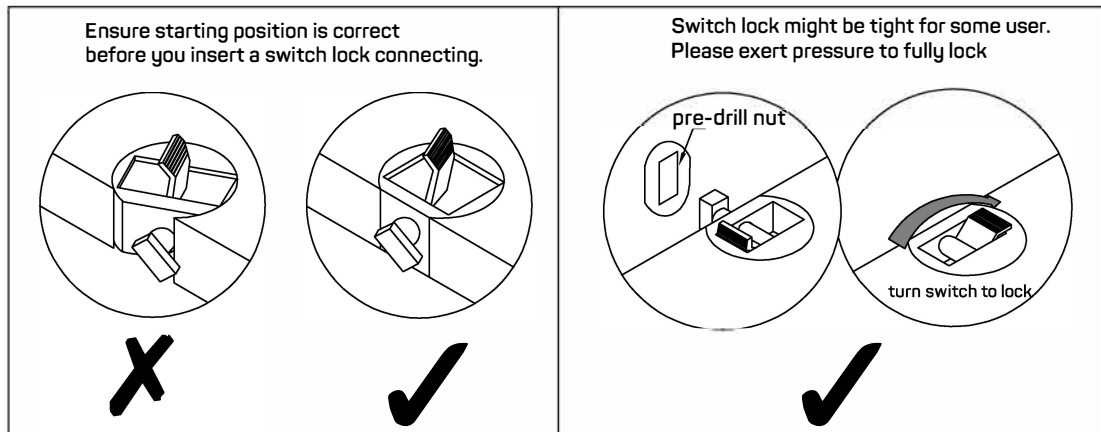
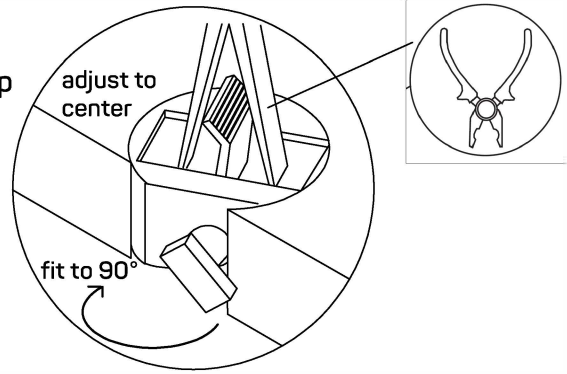
Ethically
Sourced

Please visit <https://www.theubiquegroup.com/warranty> for complete warranty information.

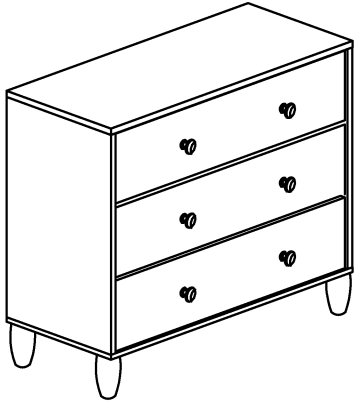
Read this manual before using this product. Failure to follow the instructions and safety precautions in this manual can result in serious injury or death. Keep this manual in a safe location for future reference.

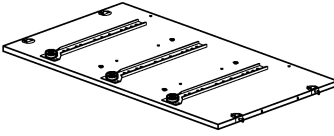
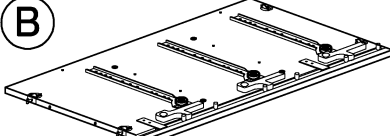
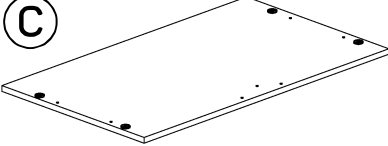
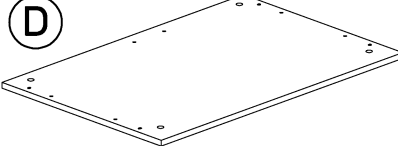
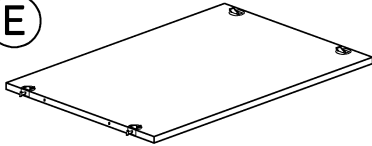
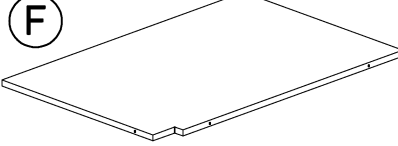
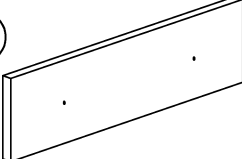
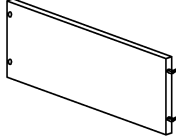
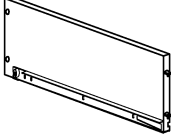
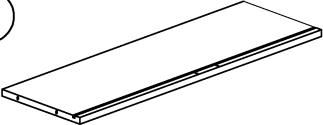
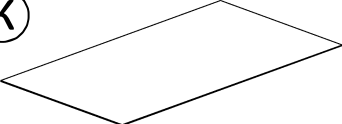
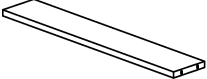
This Cam Lock Fastening System will be used throughout the assembly process.

** If the pin position is offset, use pliers to hold the flip switch in the upright position and carefully turn the switch lock to the center of the opening.









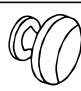



PARTS LIST



<p>(A)</p>  <p>SIDE PANEL RIGHT 1PC</p>	<p>(B)</p>  <p>SIDE PANEL LEFT 1PC</p>
<p>(C)</p>  <p>TOP PANEL 1PC</p>	<p>(D)</p>  <p>BOTTOM PANEL 1PC</p>
<p>(E)</p>  <p>CENTER SUPPORT 2PCS</p>	<p>(F)</p>  <p>BACK PANEL 2PCS</p>
<p>(G)</p>  <p>DRAWER FRONT 3PCS</p>	<p>(H)</p>  <p>DRAWER SIDE PANEL RIGHT 3PCS</p>
<p>(I)</p>  <p>DRAWER SIDE PANEL LEFT 3PCS</p>	<p>(J)</p>  <p>DRAWER BACK PANEL 3PCS</p>
<p>(K)</p>  <p>DRAWER BOTTOM 3PCS</p>	<p>(L)</p>  <p>DRAWER BOTTOM SUPPORT 6PCS</p>

HARDWARE LIST

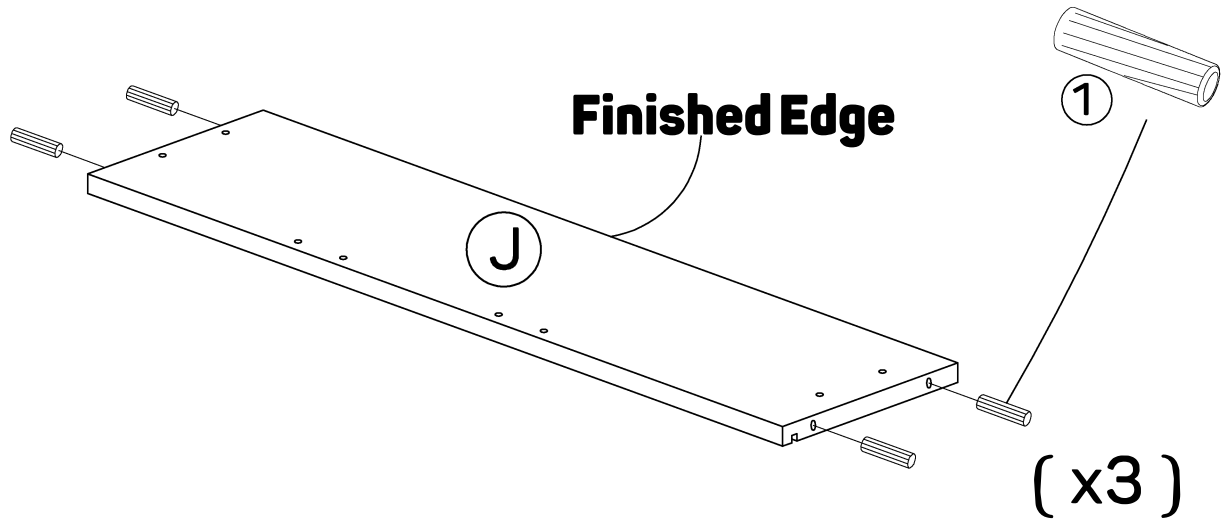
ITEM	DESCRIPTION	QTY
①	0.24" x 1.18" WOOD DOWEL 	38 pcs
②	0.24" x 1.57" WOOD DOWEL 	12 pcs
③	DRAWER FASTENER 	12 pcs
④	0.16" x 0.98" MACHINE SCREW 	6 pcs
⑤	REAR CONNECTOR 	12 pcs

ITEM	DESCRIPTION	QTY
⑥	FLOOR GLIDE 	4 pcs
⑦	WOODEN KNOB 	6 pcs
⑧	Ø34/58 x 5.9" WOODEN LEG 	4 pcs
⑨	SAFETY BRACKET KIT 	1 pc
⑩	ALLEN KEY 	1 pc

INSTALLATION

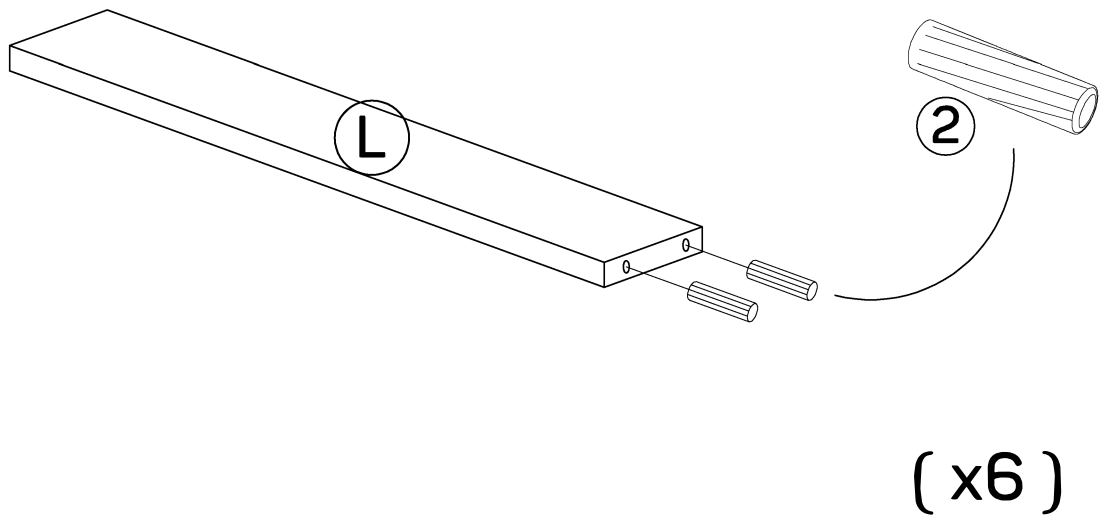
STEP 1

- ① 0.24" x 1.18"
WOOD DOWEL 12pcs

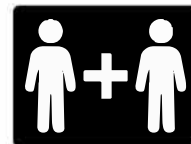


STEP 2

- ② 0.24" x 1.57"
WOOD DOWEL 12pcs

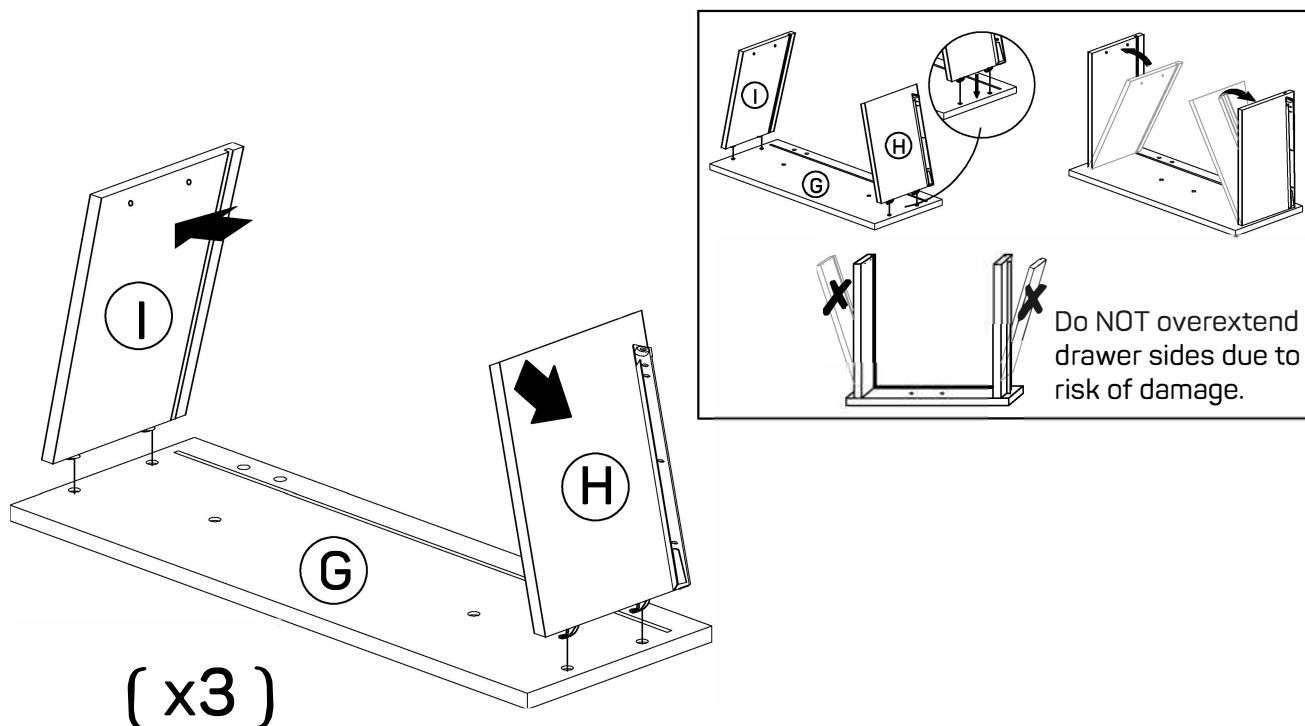


STEP 3

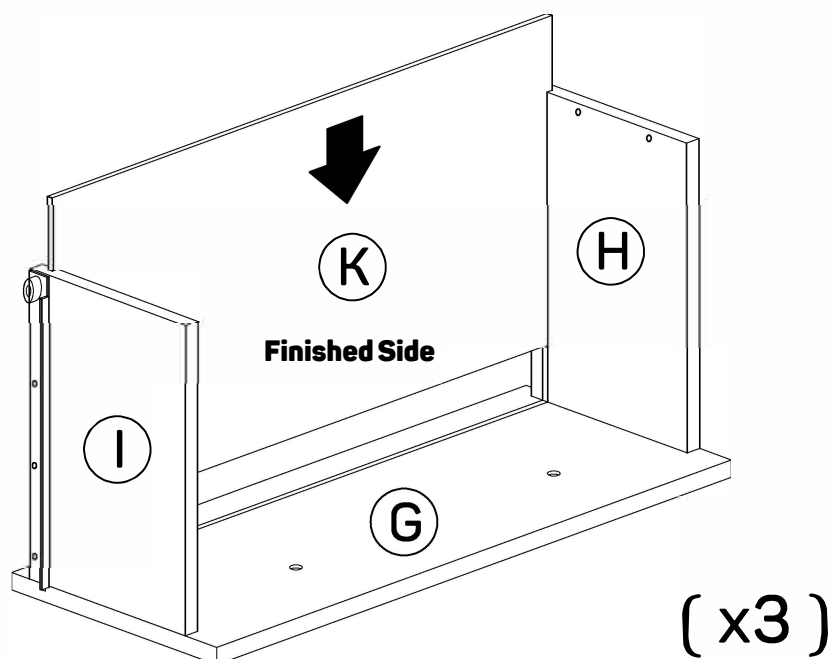


Insert the hooks of drawer side panels (H) and (I) into the drawer front (G) holes at a 45° angle. While keeping slight downward pressure, adjust boards outwardly to full 90° angle.

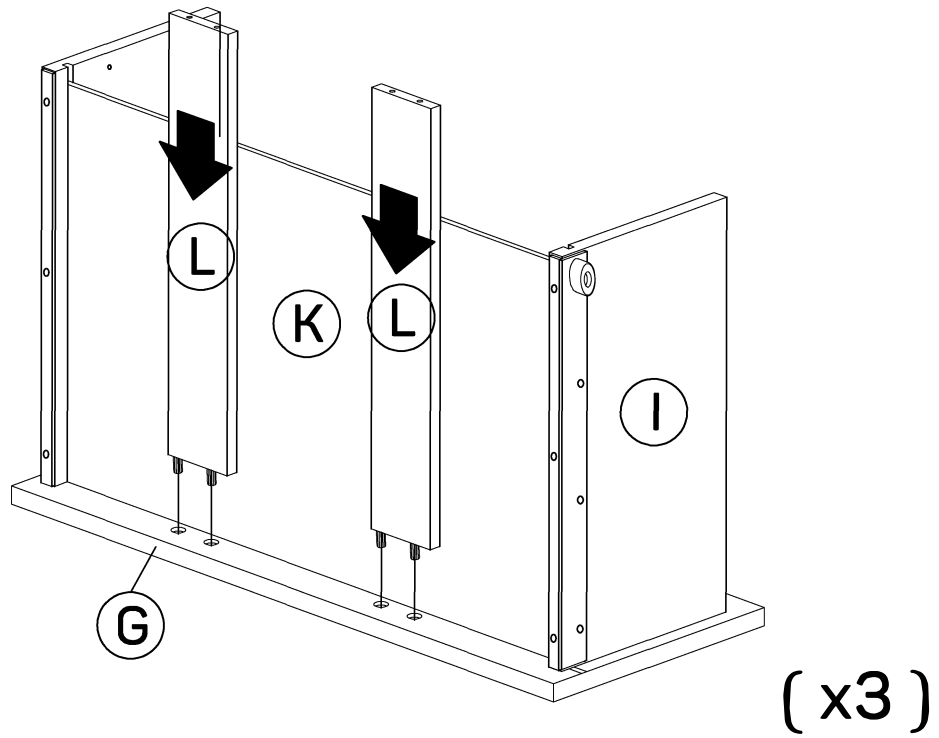
NOTE: The drawer sides will be slightly unstable until the drawer bottom is installed (step 4).



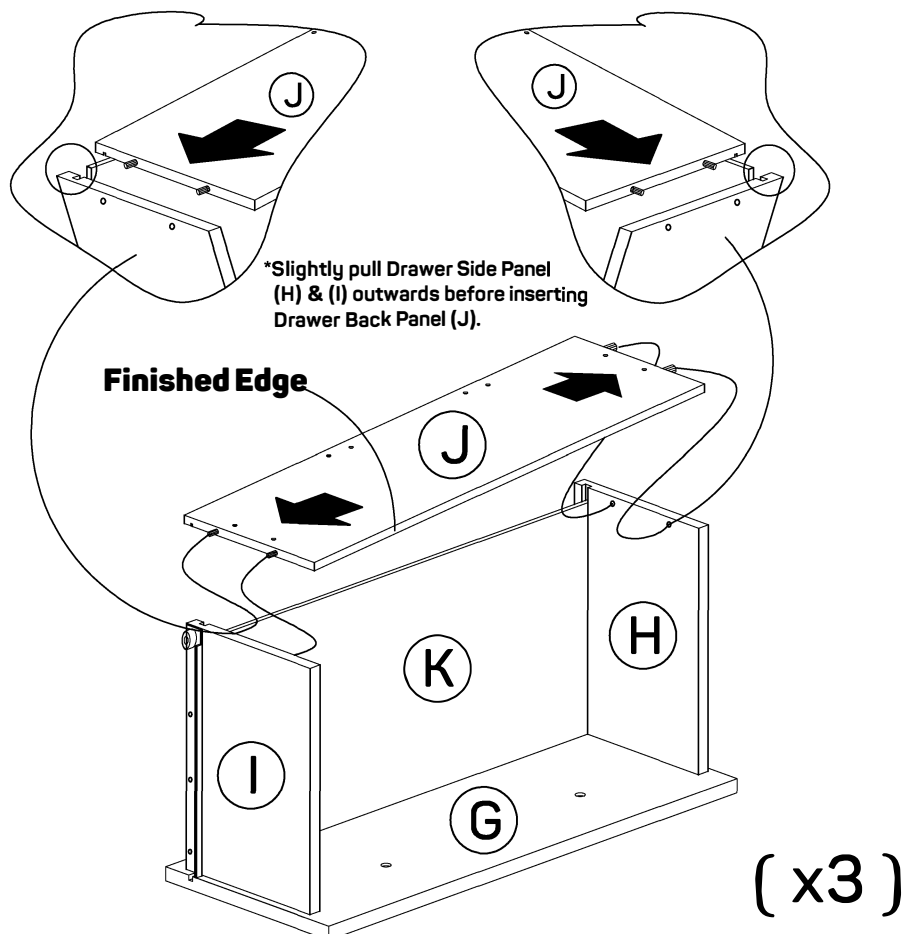
STEP 4



STEP 5

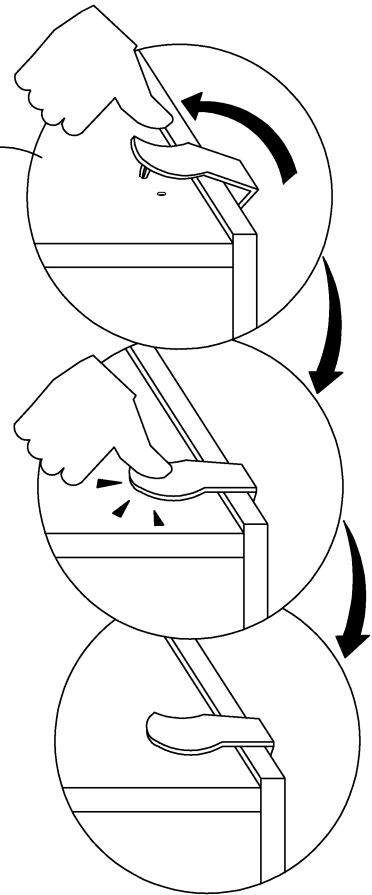
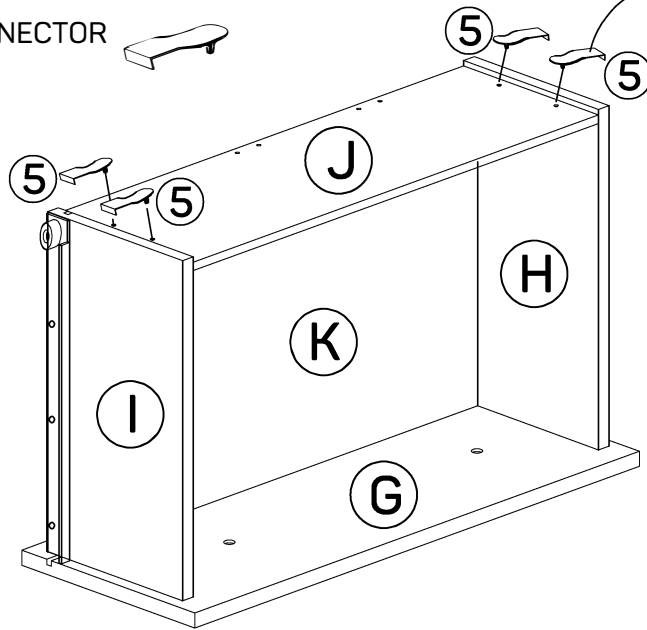


STEP 6



STEP 7

5 REAR CONNECTOR
12pcs

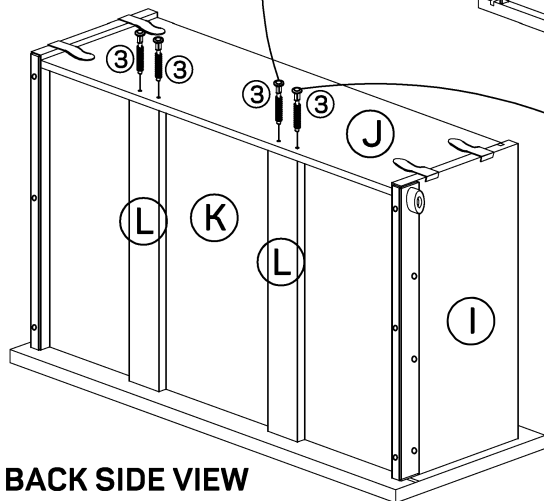
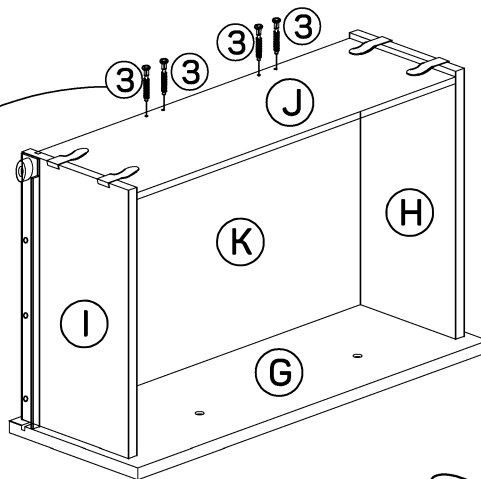


(x3)

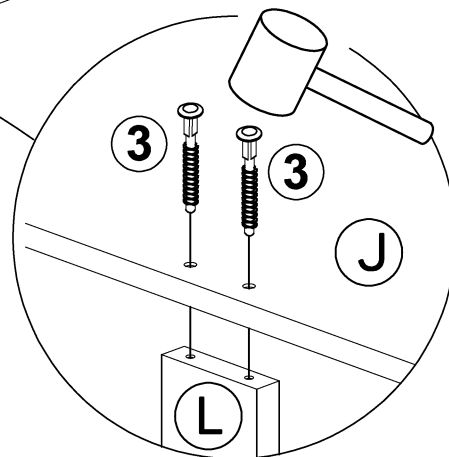
STEP 8

3 DRAWER FASTENER
12pcs

(x3)



BACK SIDE VIEW



STEP 9

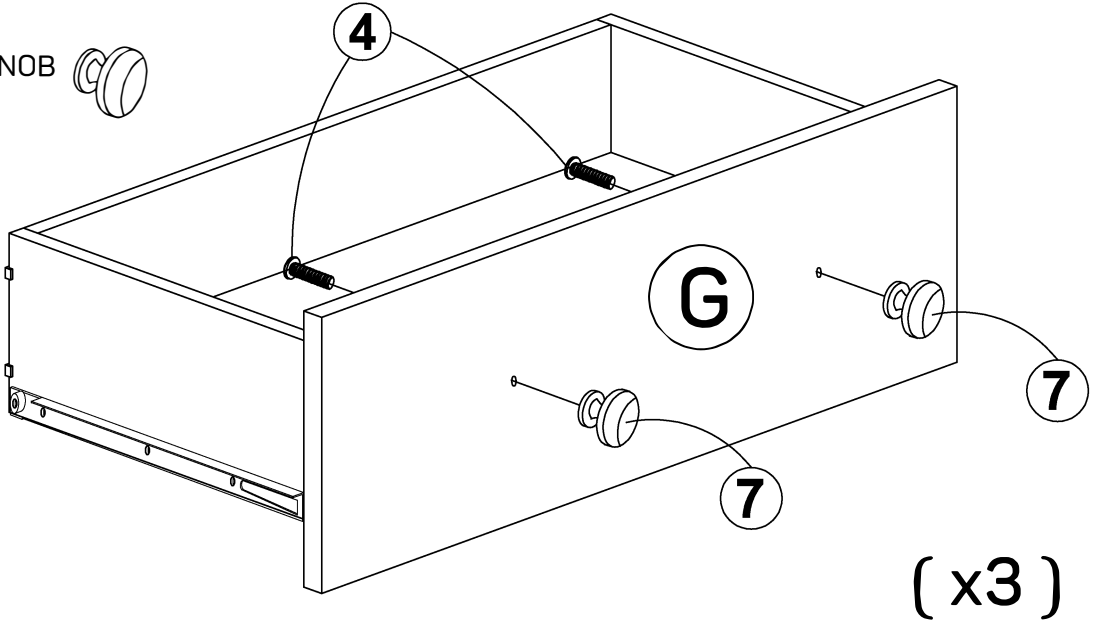
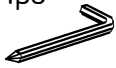
④ 0.16" x 0.98"
MACHINE SCREW
6pcs



⑦ WOODEN KNOB
6pcs



⑩ ALLEN KEY
1pc

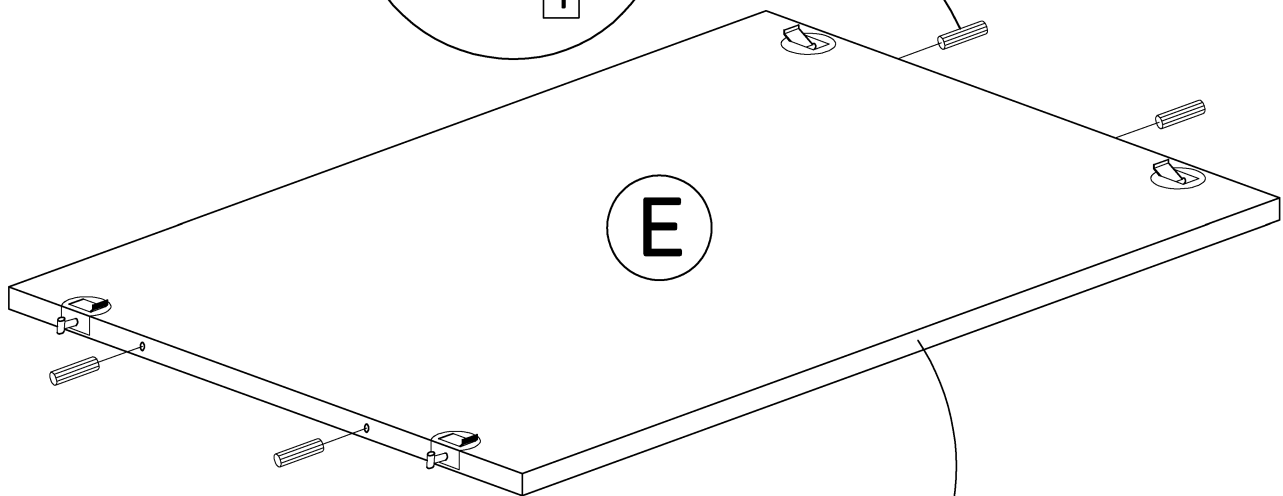
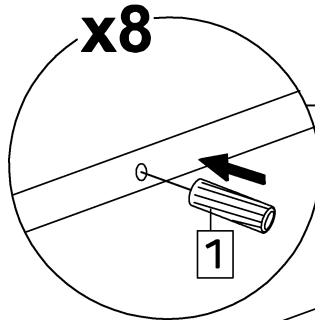


STEP 10

① 0.24" x 1.18"
WOOD DOWEL
8pcs

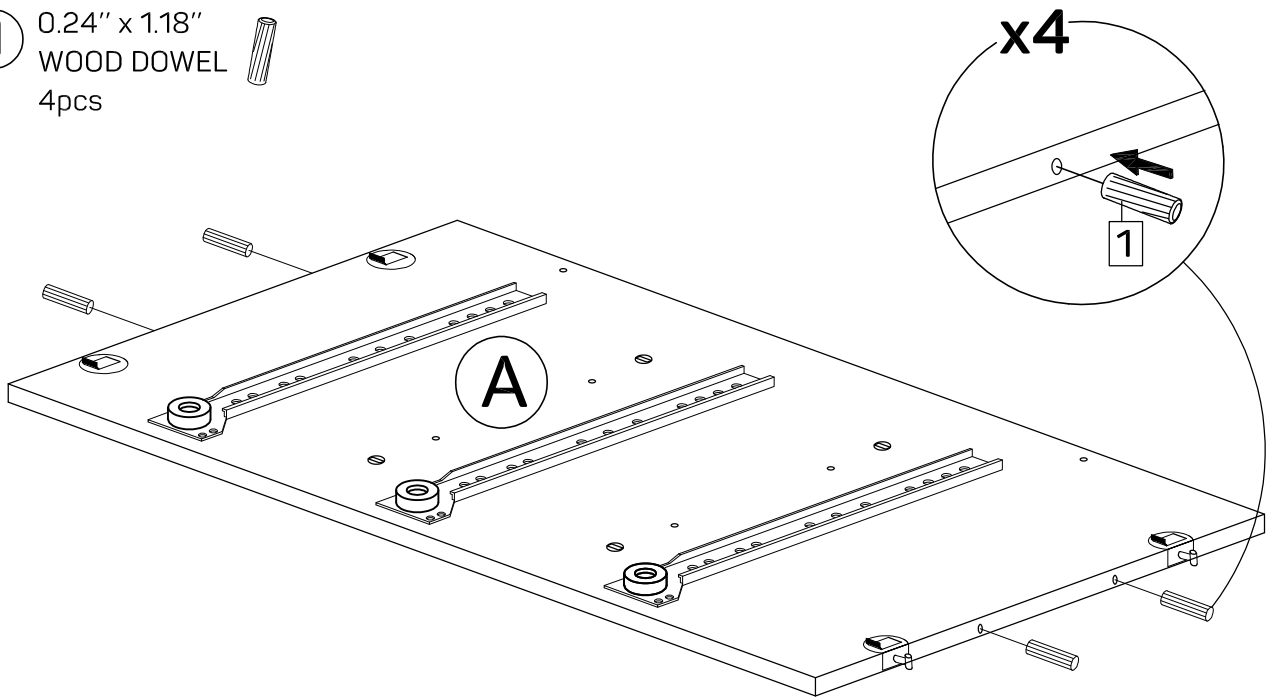


x8



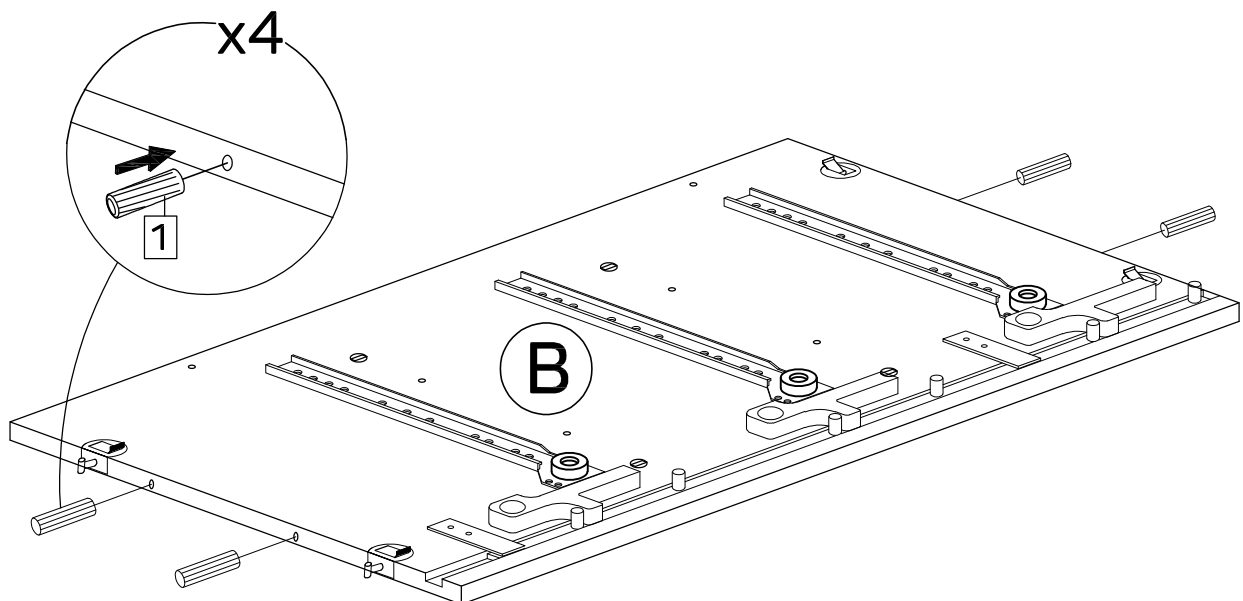
STEP 11

- ① 0.24" x 1.18"
WOOD DOWEL
4pcs

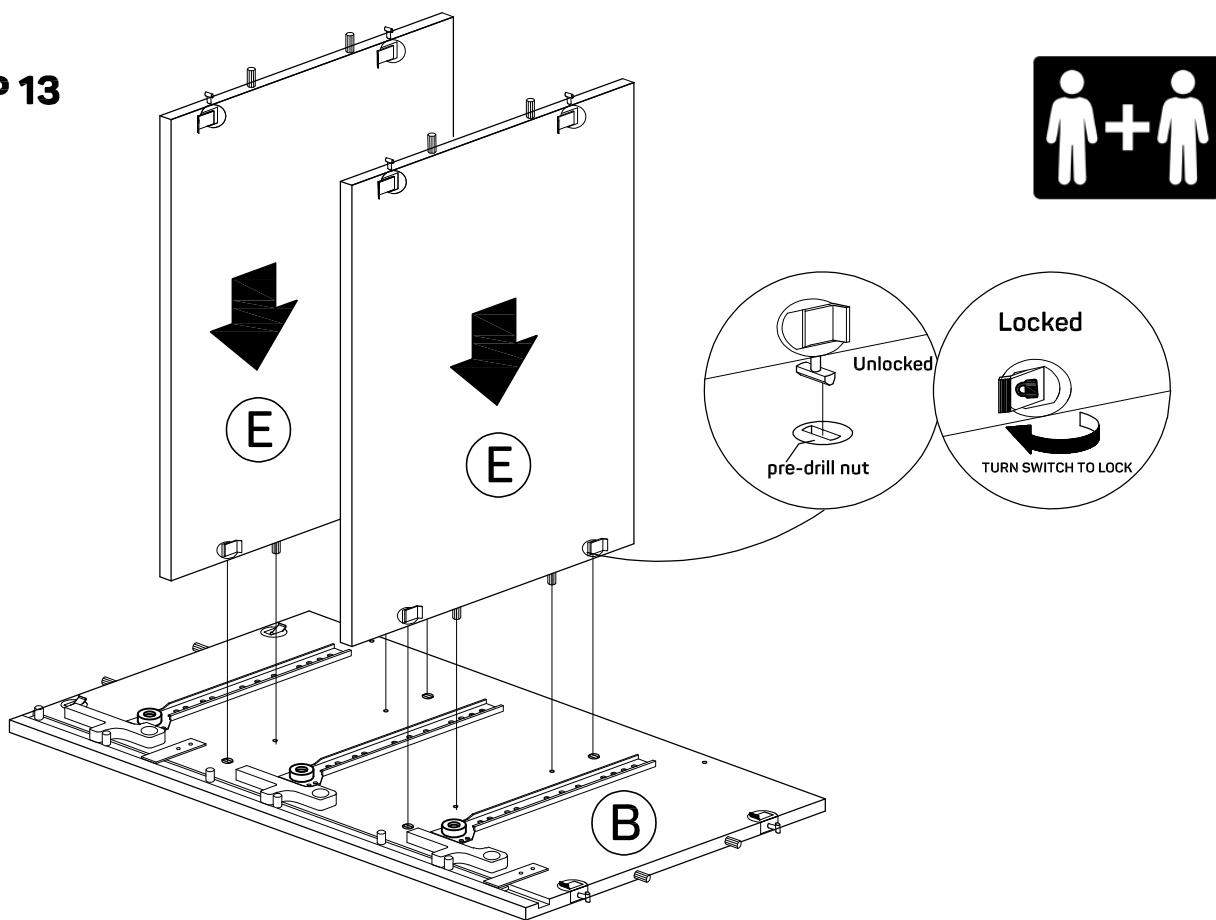


STEP 12

- ① 0.24" x 1.18"
WOOD DOWEL
4pcs

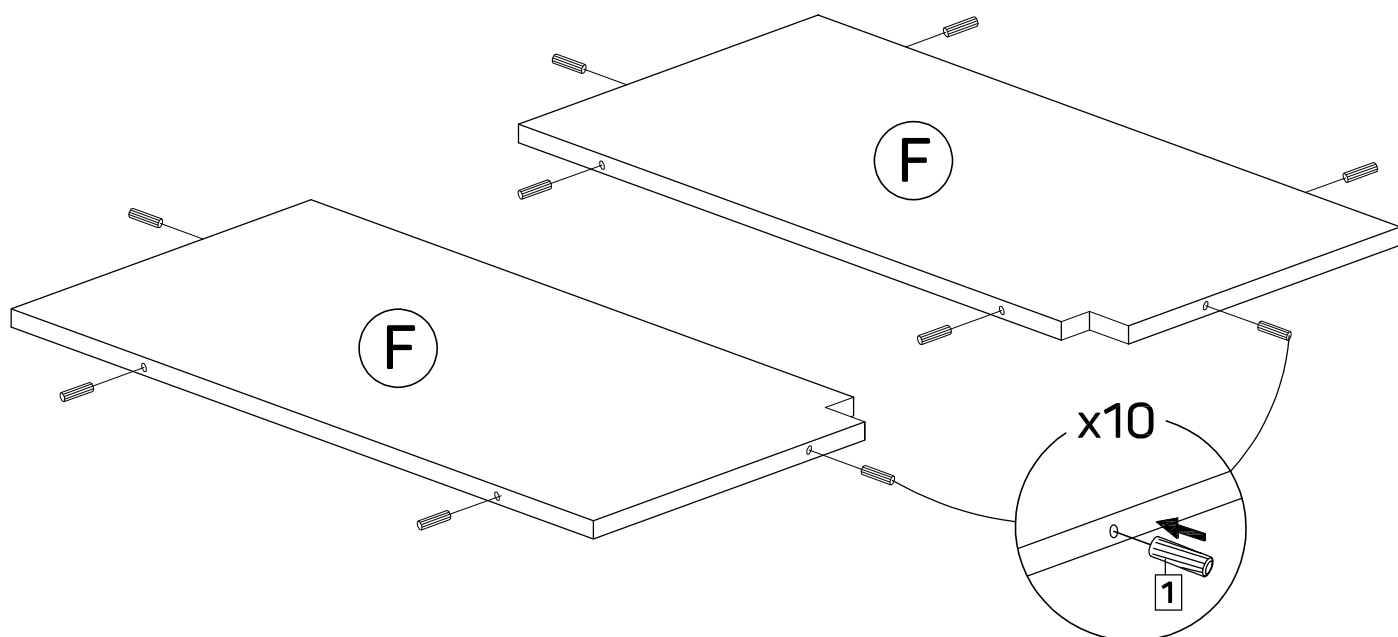


STEP 13

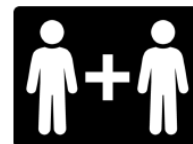
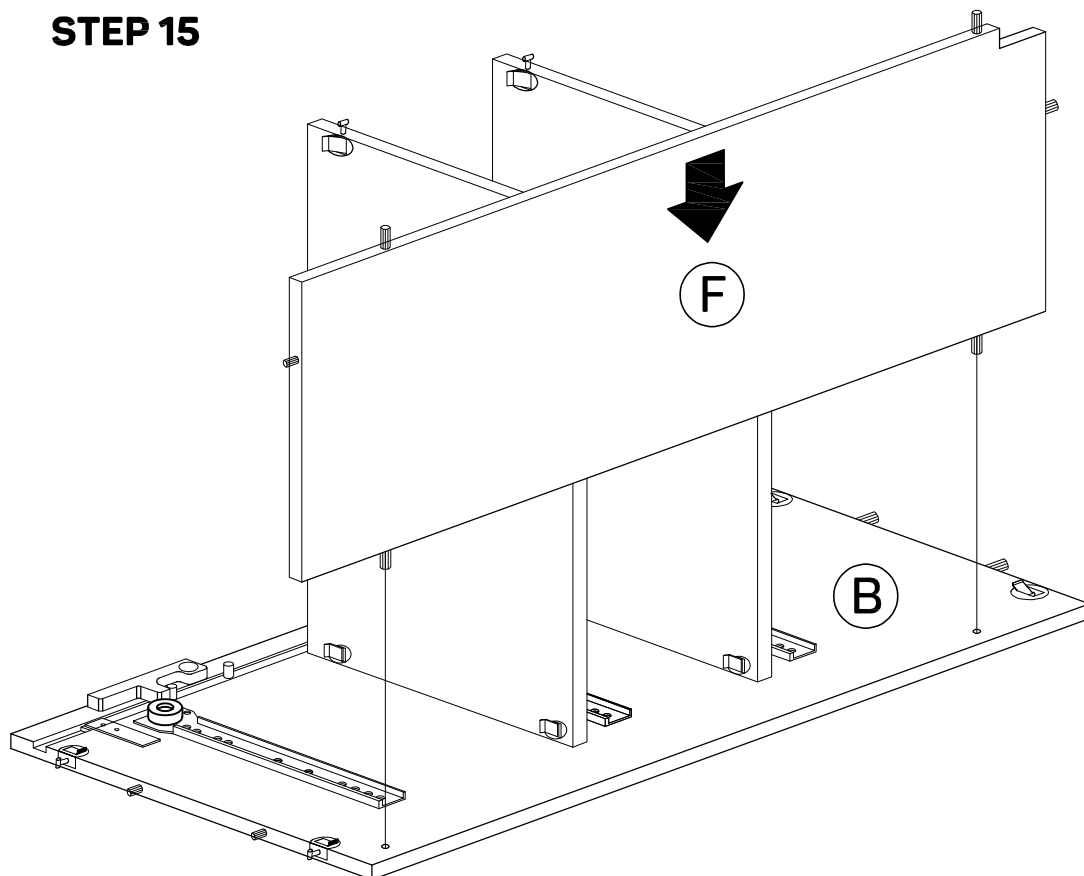


STEP 14

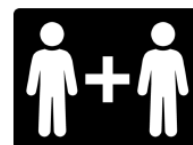
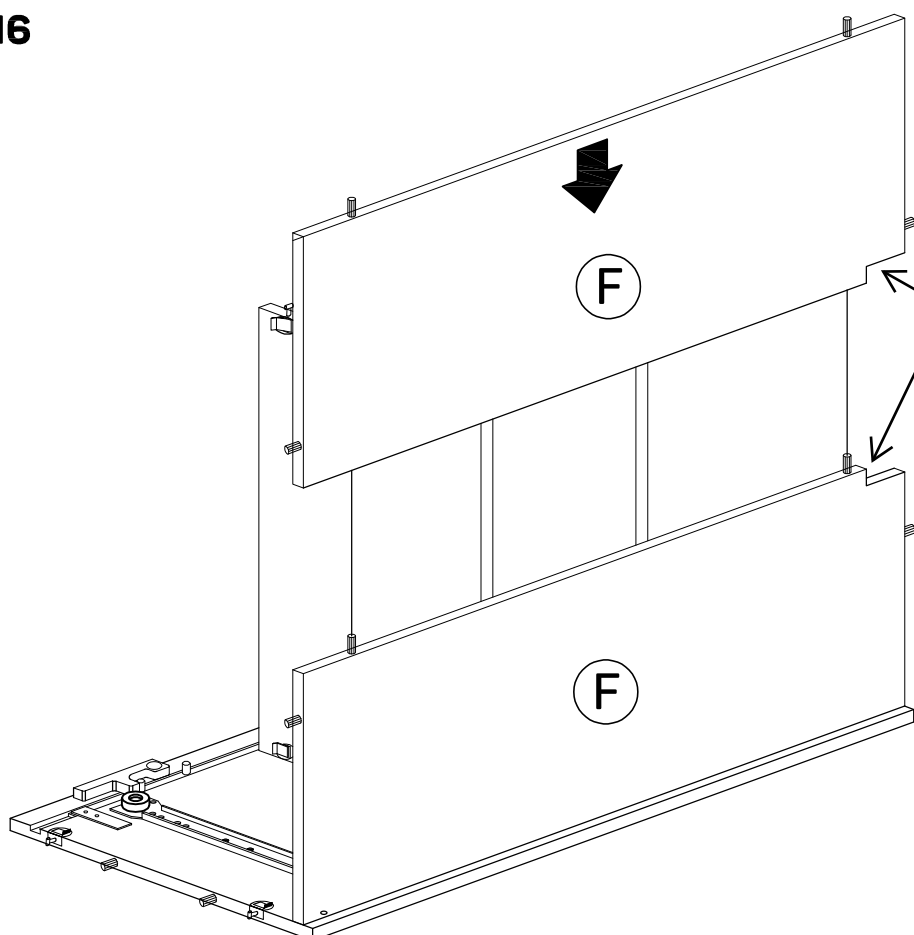
- ① 0.24" x 1.18"
WOOD DOWEL
10pcs



STEP 15

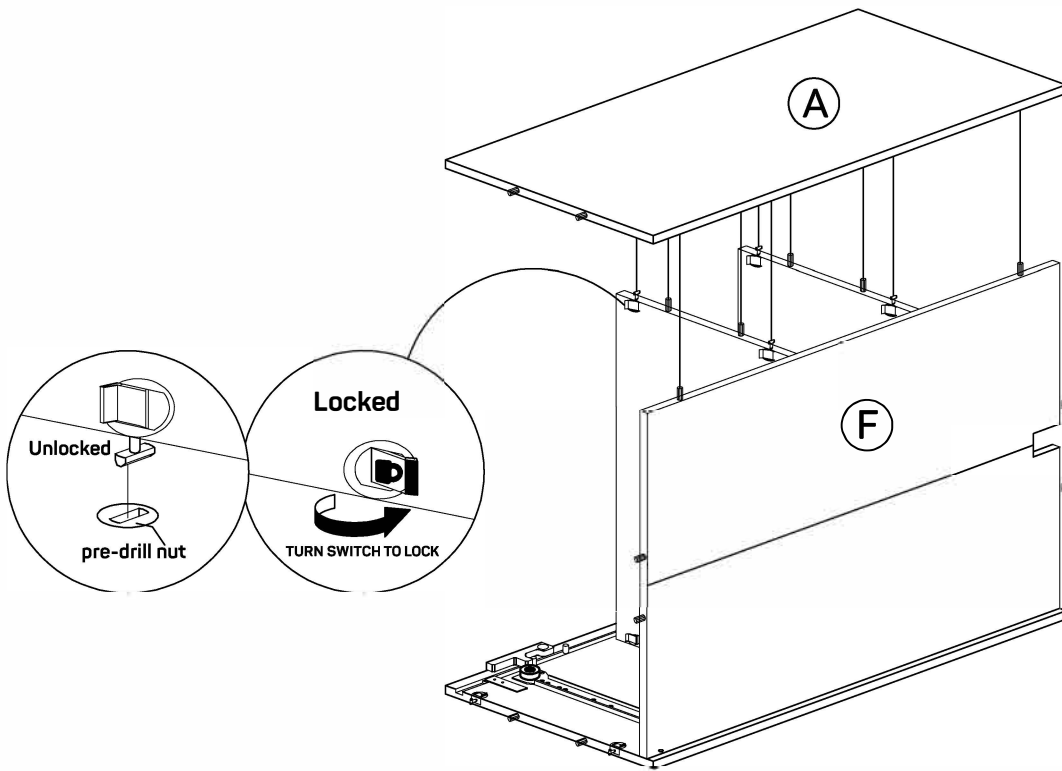
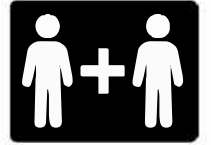


STEP 16



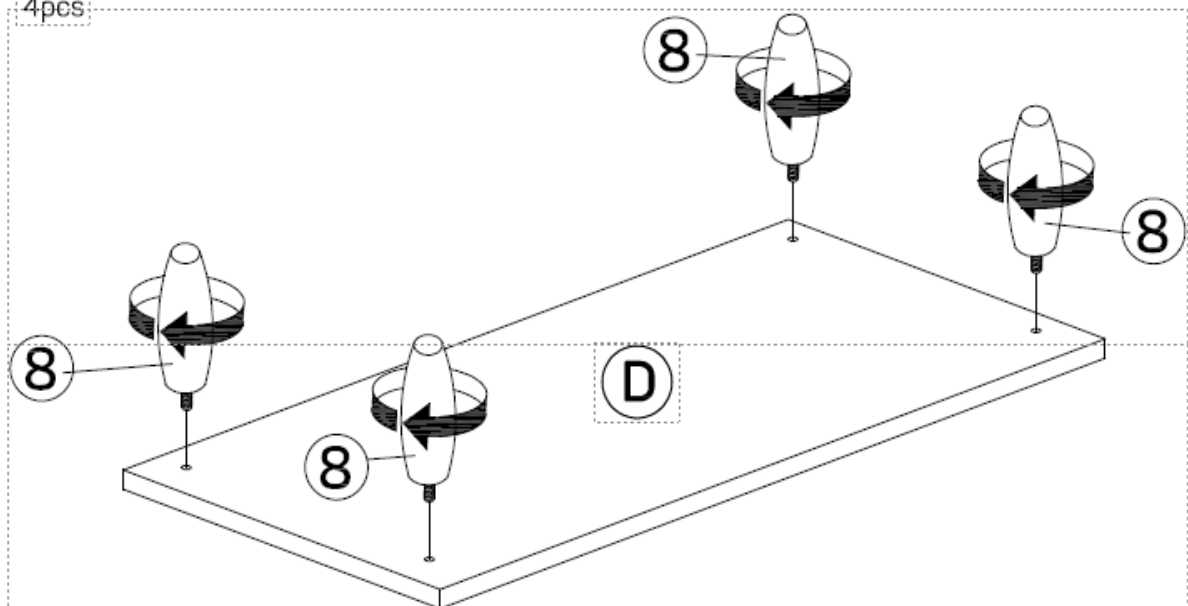
NOTE: Ensure cutouts on back panels are installed correctly to accommodate safety bracket in Step 23.

STEP 17

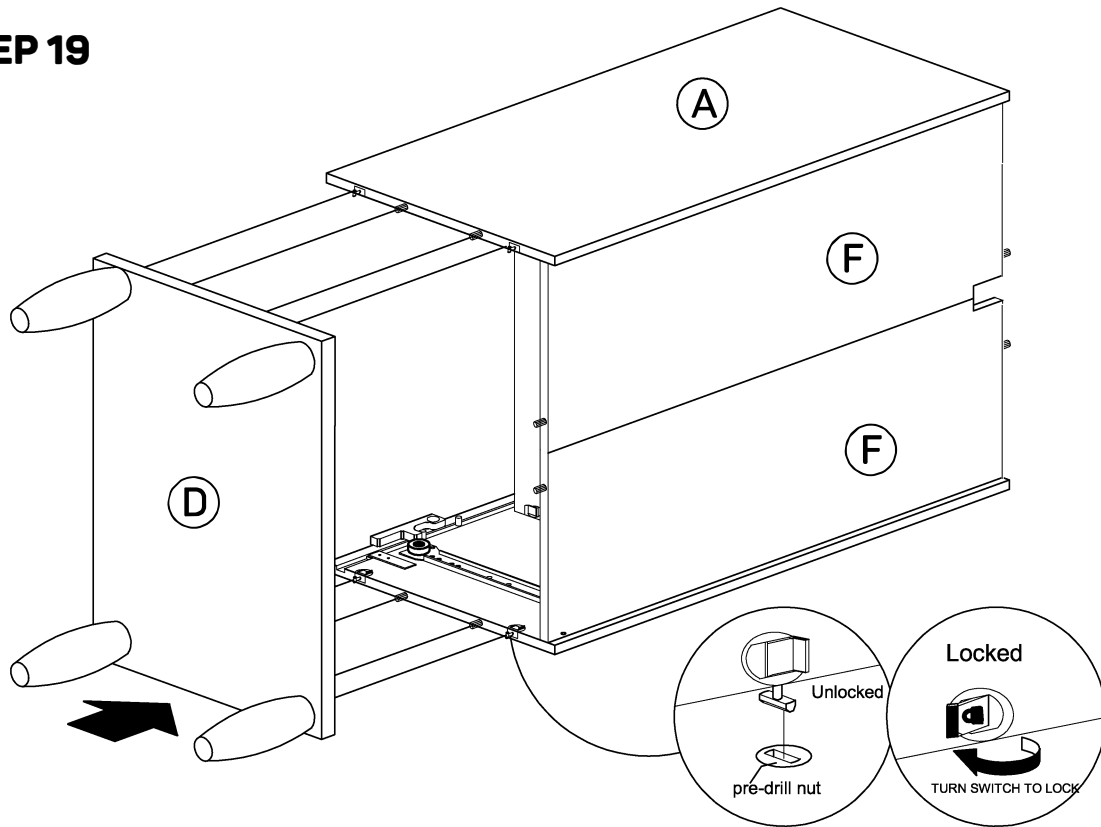


STEP 18

- ⑧ $\varnothing 34/58 \times 5.9''$
WOODEN LEG
4pcs



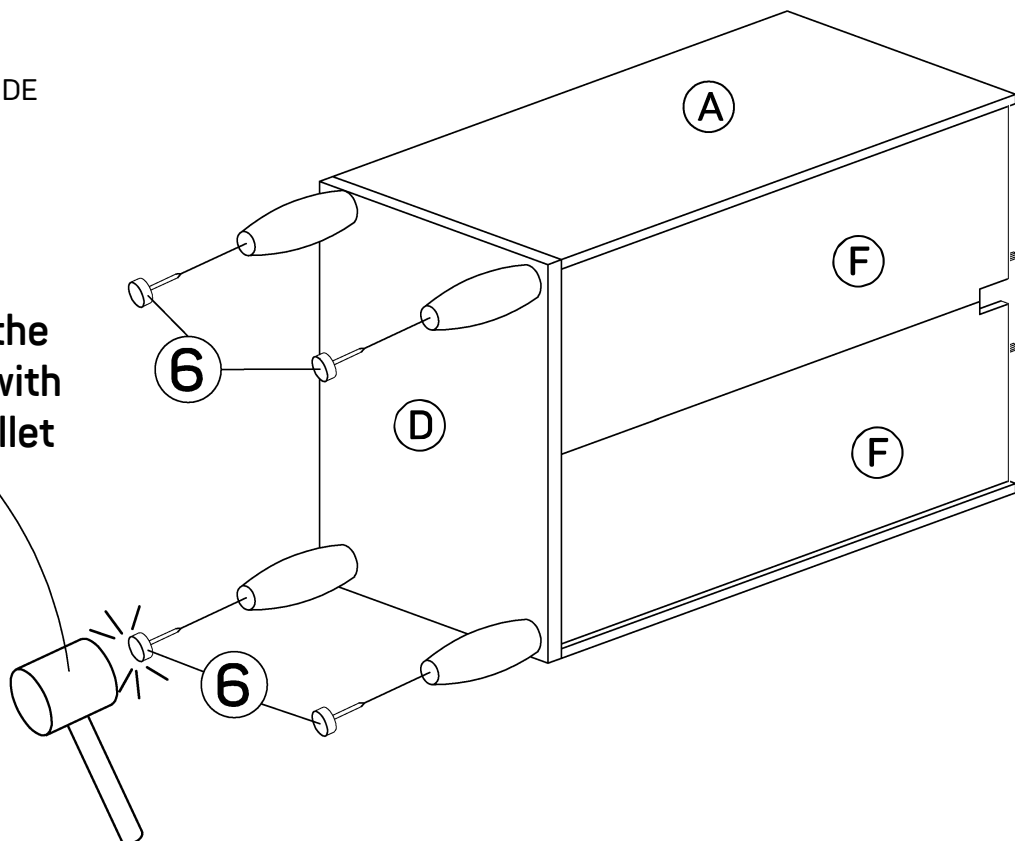
STEP 19



STEP 20

- ⑥ FLOOR GLIDE
4pcs

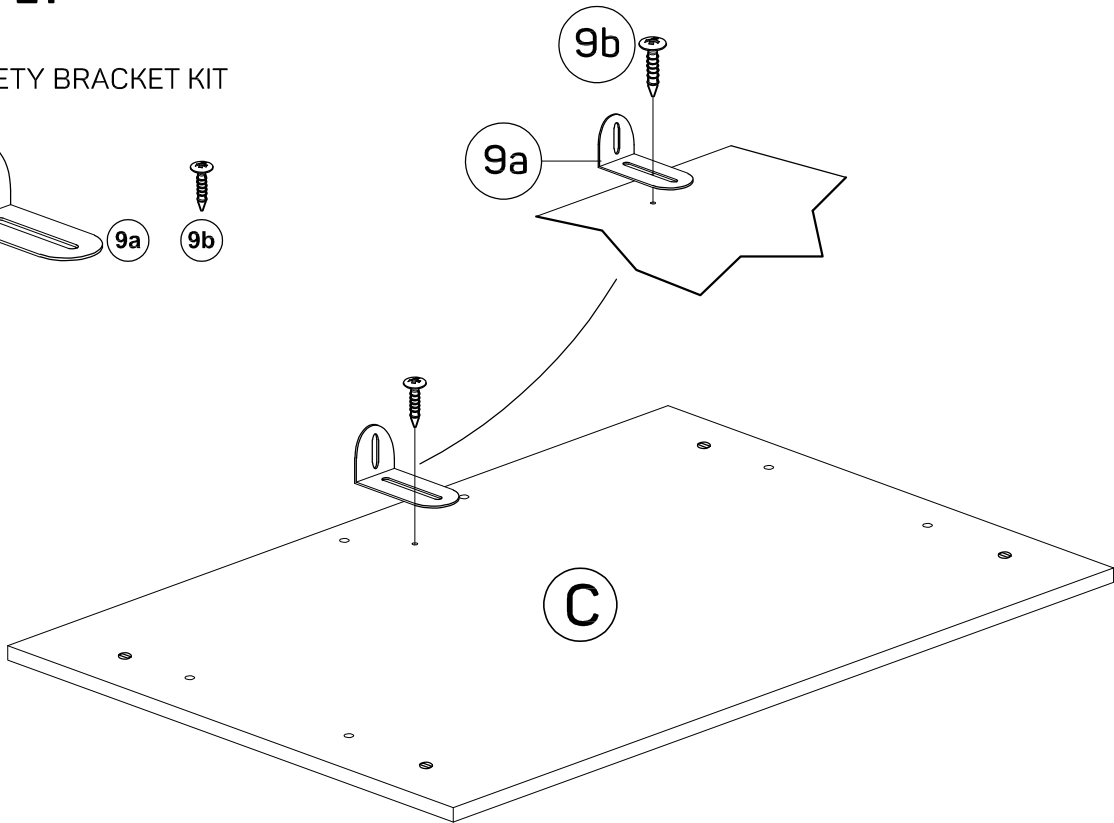
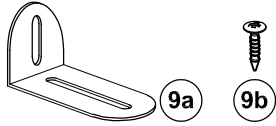
Gently tap the
floor glides with
a rubber mallet



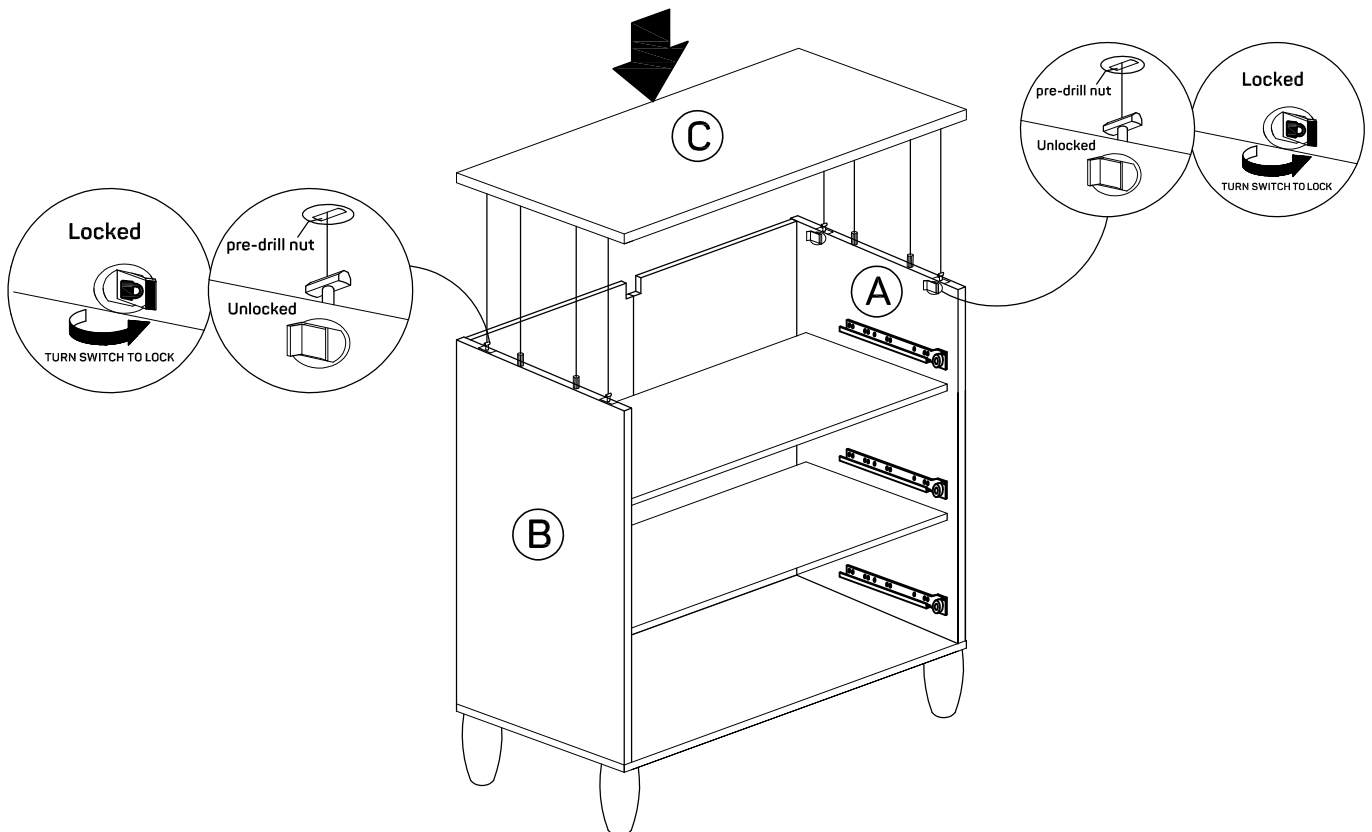
STEP 21

Do not fully tighten this screw

9 SAFETY BRACKET KIT
1pc



STEP 22



STEP 23

9 SAFETY BRACKET KIT 1pc



9c

9d

IMPORTANT: THIS UNIT MUST BE SECURE TO THE WALL TO HELP PREVENT TIPOVER. FOLLOW THESE INSTRUCTIONS TO INSTALL THE ANTI-TIPPING SAFETY BRACKET PROVIDED WITH THIS PRODUCT.

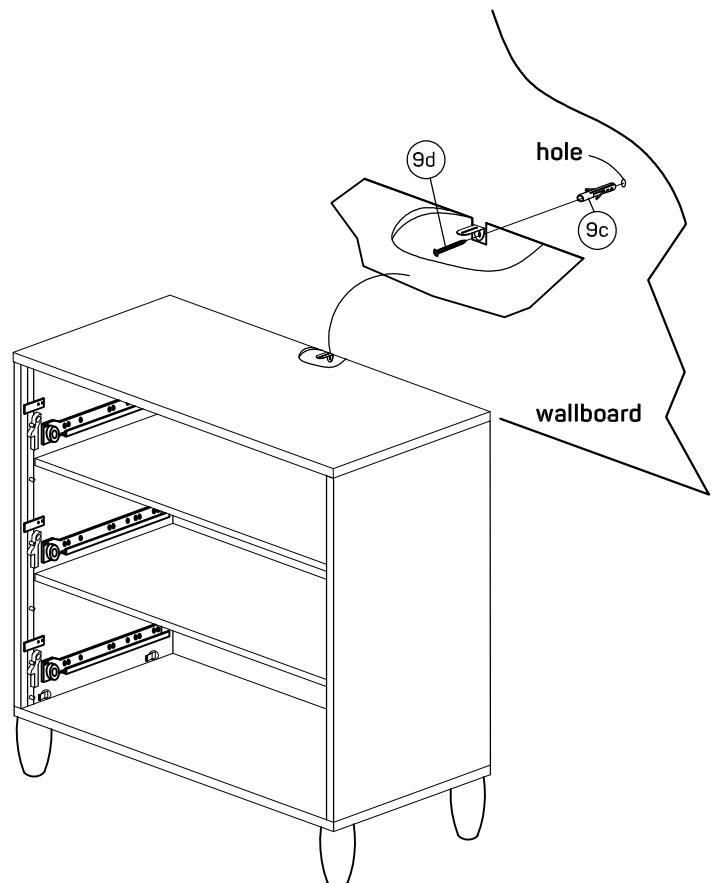
WARNING

Serious or fatal crushing injuries can occur from furniture tipover.

To prevent tipover:

- Install tipover restraint provided
- Place heaviest items in the lowest drawers
- Unless specifically designed to accommodate, do not set TVs or other heavy objects on the top of this product
- Never allow children to climb or hang on drawers, doors or shelves
- Never open more than one drawer at a time

Use of tipover restraints may only reduce, but not eliminate the risk of tipover.



OPTION 1: Attachment into a wall stud (preferred method)

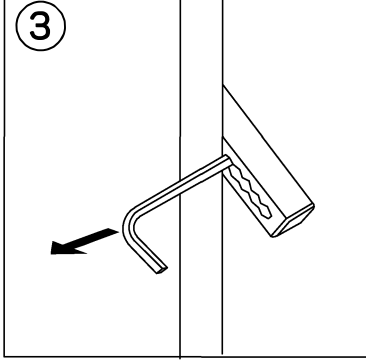
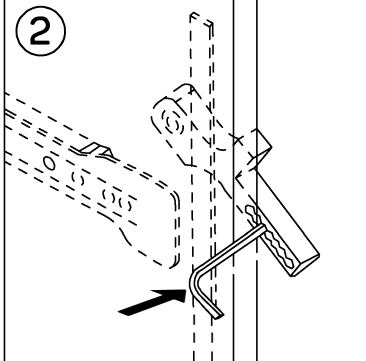
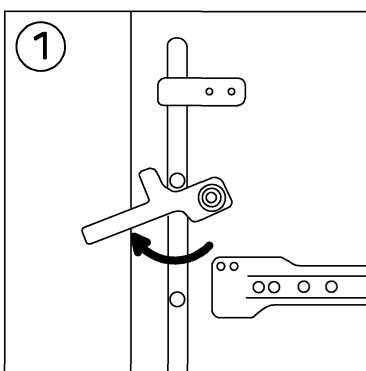
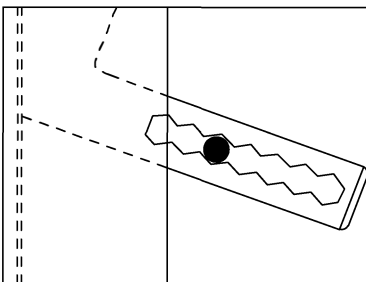
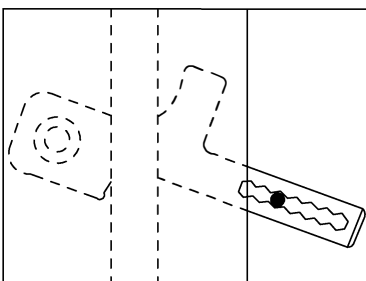
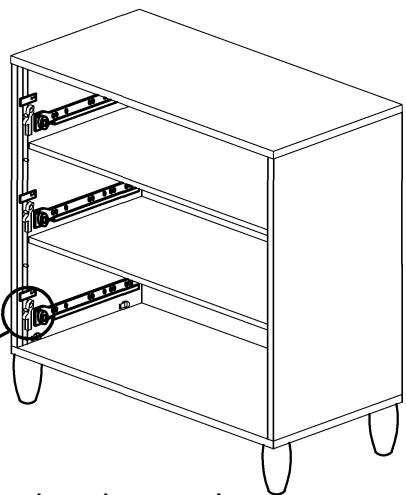
Using a stud finder, locate a stud in the wall. Place your unit against the wall, with the safety bracket aligned in this location. To make driving the screw easier, you can drill a 1/8" diameter pilot hole (3mm) through the safety bracket into the stud. Drive the screw through the safety bracket into the wall stud. Tighten the screw that was not fully tightened in step 21.

OPTION 2: Attachment into drywall

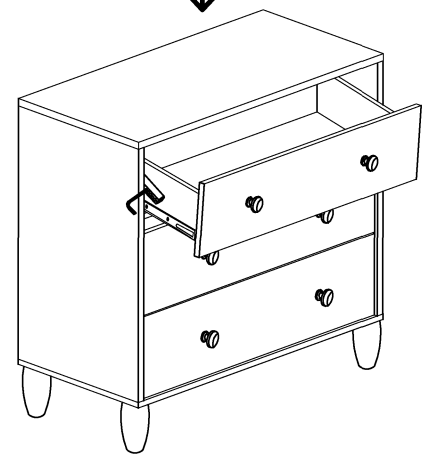
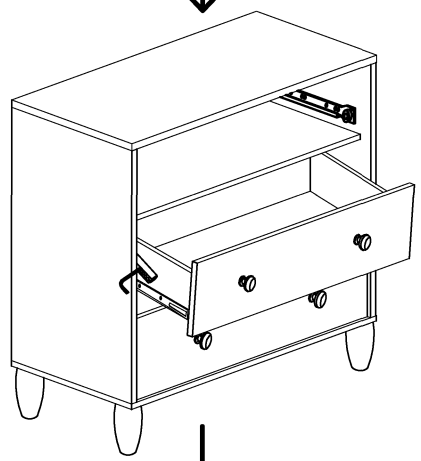
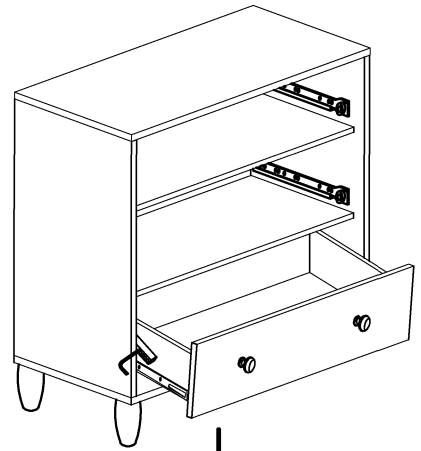
Locate your unit where desired against a wall and mark the wall through the safety bracket, then move your unit aside. Drill a 3/16" diameter hole (5mm) into the wallboard. Tap the wall anchor into the hole until it is flush. Move your unit into location and fasten the wall bracket to the wall anchor with the screw. Tighten the screw that was not fully tightened in step 21.

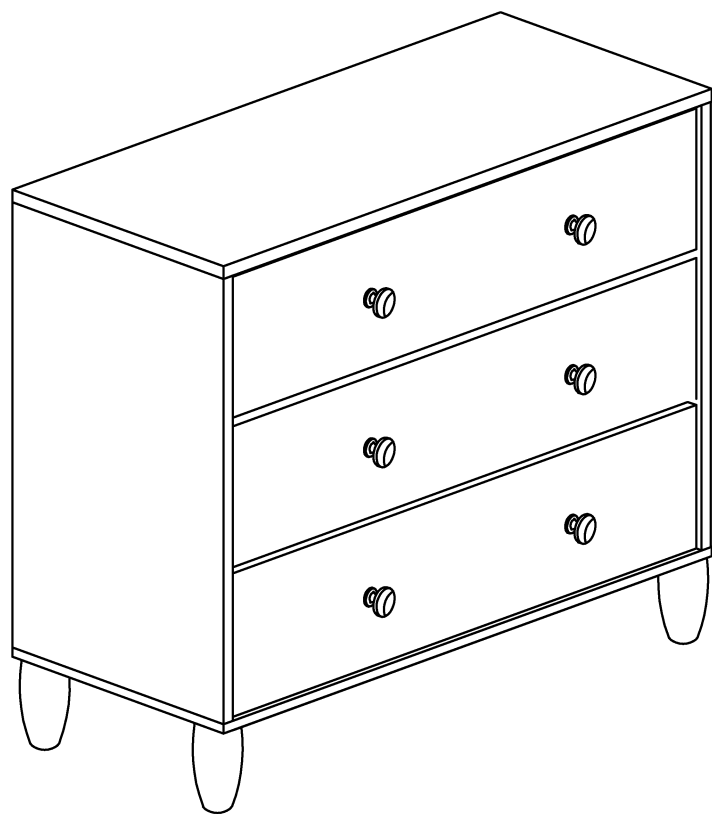
STEP 24

10 ALLEN KEY
1pc



Note: Before inserting each drawer, lift the drawer lock on the inside of the left side panel and insert the Allen Key into the 5th hole. Partially insert drawer, remove the Allen Key from the lock and let it fall back into the cabinet then close the drawer.





Quality and Safety Guidelines:

Please follow the static and dynamic weight capacity limits provided on this item. If you are unsure of the weight capacities for this product, email us at customerexperience@theubiguegroup.com or call 866-552-2810.

Please use this item on a stable, level surface only. All legs, feet and all parts of the base of this item should contact the flooring surface when in use. Do not use this item if any instability is detected.

Please install and use anti-tipping devices/wall anchor kits as instructed by the assembly instructions. Serious or fatal crushing injuries can occur from tipping furniture. The wall anchor kit is not a substitute for proper adult supervision. Use of the tip over restraints may only reduce, but not eliminate the risk of tip over.

The back panel must be used to make sure the unit is sturdy and safe.

Never push, pull or drag this product.

For maintenance instructions and replacement parts, please email us at customerexperience@theubiguegroup.com or call 866-552-2810.

This item is intended as a dresser only, do not climb, hang, stand or sit on this item. Do not climb, pull or hang on drawers. Do not use this item as a TV stand. Do not place heavy objects on top of this product. Never open more than one drawer at a time.

Keep fingers away from the hinge line clearance and away from all edges of the drawers when opening and closing the drawers to avoid pinching.

Place heaviest items in the lowest drawers.

The item is intended to be used indoors.

Please inspect this product regularly to make sure there are no damaged or worn parts. Also inspect to make sure all hardware is tightened correctly and securely. For inspection instructions, please email us at customerexperience@theubiguegroup.com or call 866-552-2810.

If any parts are damaged or worn, please stop using the product. Repair this product with manufacturer supplied parts only.

For product longevity, product safety and product integrity, protect from wet and humid weather or other wet, humid or moist conditions and store indoors in a dry location. For additional storage and usage instructions, please email us at customerexperience@theubiguegroup.com or call 866-552-2810.

Please visit www.theubiguegroup.com for our product warranty details or email us at customerexperience@theubiguegroup.com or call 866-552-2810.