

88 5020 942

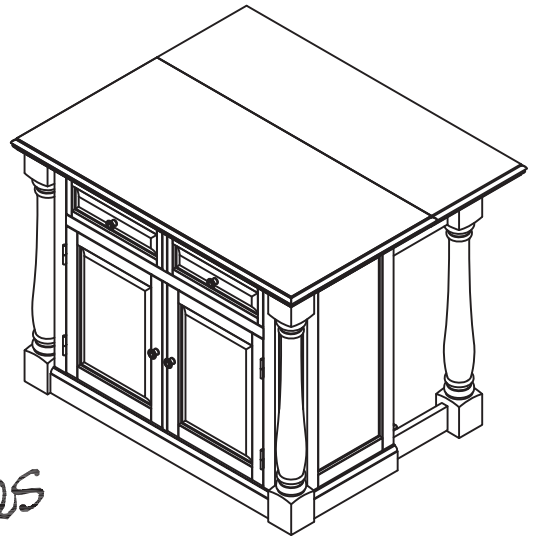
Monarch Kitchen Island

IMPORTANT NOTE

Carefully remove all the parts from the carton and put them individually on a soft cloth to prevent scratches or other damages occurring to the parts.

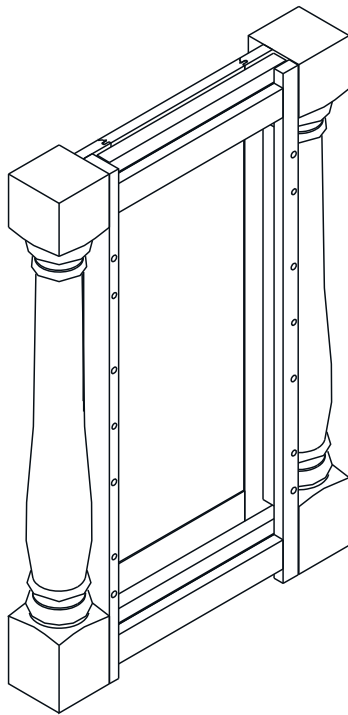
We have taken great care in the design of this product and request that you carefully and strictly follow our assembly instructions to ensure a completed product as it was designed.

*Home
Styles*

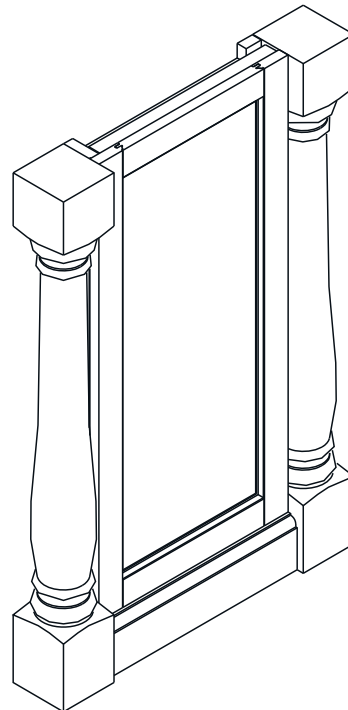


Patent 8,584,600 B2

Part List



P.
Frame Leg
1 pc.



Q.
Frame Leg
1 pc.

For assembly see instructions in carton 88 5020 941

Home Styles Consumer Assistance: www.homestyles-furniture.com,
servicedesk@homestyles-furniture.com, 888-680-7460, 877-831-0319