

Assembly Guide



Bush
FURNITURE

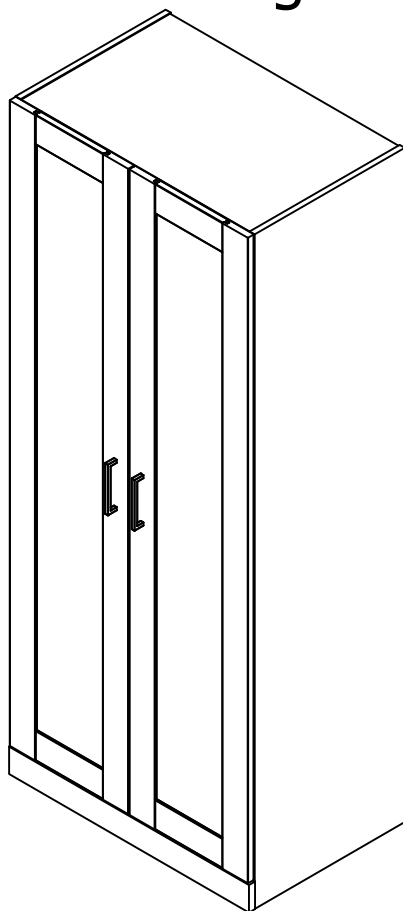


If you're having any difficulty during assembly of this product, don't hesitate to call us at **1-800-950-4782.**

Our customer service experts are trained to provide step-by-step instruction and can easily replace any missing or damaged parts.

Representatives are available Monday-Friday from 8:30 a.m. to 7:30 p.m. (ET)

30W 2 Door Tall Storage Cabinet



Lot Code #

Instruction Sheet Number A215890A

Keep manual for future reference.

For best results, keep these tips in mind:

- ① We know you want to finish this assembly as quickly as possible, but trust us: you'll have a better experience if you take it one step at a time.
- ② Give yourself some room to work near where you want the fully assembled product.
- ③ If your floor isn't carpeted, assemble this product on the empty carton to avoid scratching.
- ④ Do you have a friend who owes you a favor? Some steps may go a little easier with a second set of hands.

DOs

- ✔ Use a #2 Phillips head screwdriver (or other handheld tools as indicated)
- ✔ Wear safety glasses at all times during assembly
- ✔ Carefully follow the instructions in this guide and complete all steps in order
- ✔ Give us a call if you're having trouble with a particularly tricky step

DON'Ts

- ✘ We know power tools are quick and easy, but you shouldn't use them when assembling this product (unless otherwise specified)
- ✘ Never move your furniture with items inside or resting on the surface
- ✘ Do not attempt to use this product before all steps have been completed

Watch assembly videos right on your phone or computer!



Some steps include QR codes that link to helpful videos. Watch out for the icon below! Simply open up your smartphone camera to scan the code.

(Users of older smartphones may need to install a QR Reader.)

SCAN HERE



FOR VIDEOS

Or visit <https://bushfurniture.com/help-faq/#assembling>



IMPORTANT SAFETY INFORMATION



PLEASE READ WARNINGS

Improper use can cause safety hazards, or damage to your furniture and household items.

Warning	Do	Don't	Why it's important
Serious injury may occur.	<ul style="list-style-type: none">Assemble following all instructions using all indicated parts and hardware provided.Install tip-over restraint provided.Install every indicated nail and/or screw.Verify furniture is stable on it's own.Place heaviest items in the lower drawers.Remove items that might tempt kids to climb, such as toys and remote controls from the top and upper shelves of furniture.	<ul style="list-style-type: none">Do not move unit when loaded.Do not load with a television or other heavy equipment.Do not exceed the maximum load limits stated in the instructions.Do not allow children to stand, climb, or hang on furniture.	Improper assembly, use or loading can lead to product instability, tipover, or collapse.

Advertencia	Hacer	No	Por qué es importante
Pueden producirse lesiones graves.	<ul style="list-style-type: none">Realice el montaje siguiendo todas las instrucciones y utilizando todas las piezas indicadas y los herrajes suministrados.Instale el sistema de retención antivuelco suministrado.Instale todos los clavos y/o tornillos indicados.Compruebe que el mueble sea estable por sí mismo.Coloque los objetos más pesados en los cajones inferiores.Retire los objetos que puedan tentar a los niños a trepar, como juguetes y mandos a distancia, de los estantes superiores y superiores del mueble.	<ul style="list-style-type: none">No mueva la unidad cuando esté cargada.No cargue el mueble con un televisor u otro equipo pesado.No supere los límites máximos de carga indicados en las instrucciones.No permita que los niños se pongan de pie, trepen o se cuelguen de los muebles.	El montaje, uso o carga inadecuados pueden provocar inestabilidad, vuelco o colapso del producto.

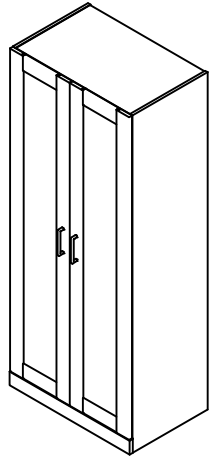
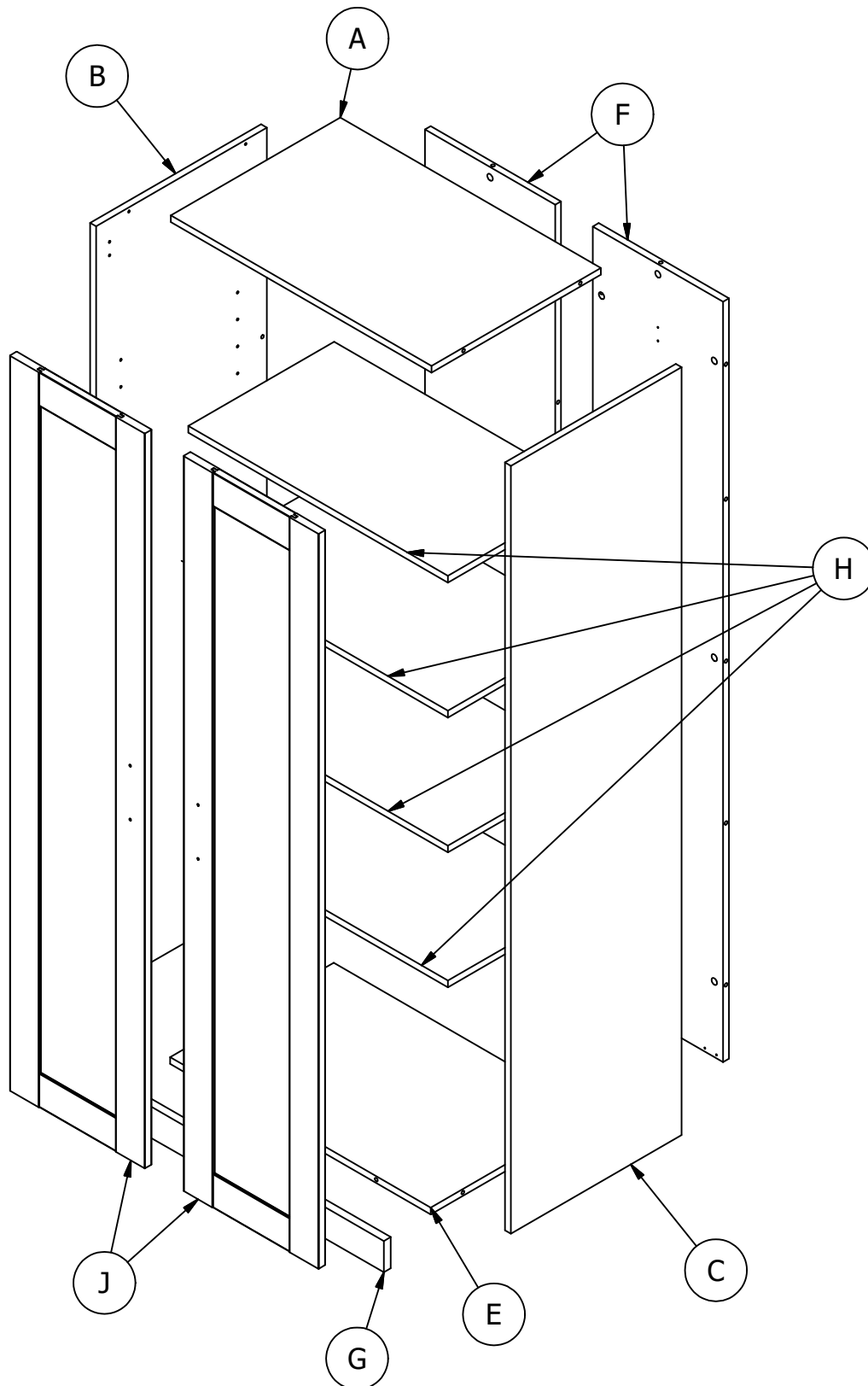
IMPORTANT SAFETY INFORMATION



PLEASE READ WARNINGS


Improper use can cause safety hazards, or damage to your furniture and household items.


Avertissement	À faire	À ne pas faire	Pourquoi c'est important
Peut entraîner des blessures graves.	<ul style="list-style-type: none">• Assembler en suivant toutes les instructions et en utilisant toutes les pièces et la quincaillerie incluses.• Installer le matériel de fixation mural inclus.• Installer tous les clous et/ou toutes les vis.• Assurez-vous que le meuble soit stable par lui-même.• Placer les objets les plus lourds dans les tiroirs du bas.• Retirer les objets qui pourraient inciter les enfants à grimper comme les jouets et les télécommandes des tablettes supérieures et du dessus du meuble.	<ul style="list-style-type: none">• Ne pas déplacer le meuble lorsqu'il est chargé.• Ne pas charger le meuble avec un téléviseur ou tout autre équipement lourd.• Ne pas dépasser les limites de poids maximales indiquées dans les instructions.• Ne pas laisser les enfants se tenir sur les meubles, y grimper ou s'y suspendre.	Un assemblage, une utilisation ou un chargement incorrects peuvent entraîner l'instabilité, le basculement ou l'effondrement du produit.





Have an assembly question or need a replacement part? Just call
1-800-950-4782, we are here to help.


Fasteners are shown actual size.


H28917  [12]
#6 x 1/2" Silver


H181468US  [26]
KD Cam3000


H192100  [16]
#8 x 1/2"

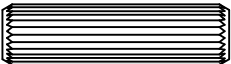
H171556  [10]
Quickfit TL4


H21898  [2]
#5 x 5/8"

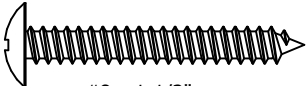
H72988  [10]
KD Bolt

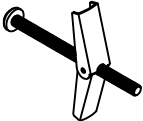
H92848  [4]
(Silver) M4 x 25mm

H79096  [3]
KD Bolt Double Head

H38169  [6]
Wood Dowel 8 x 30

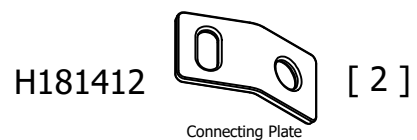
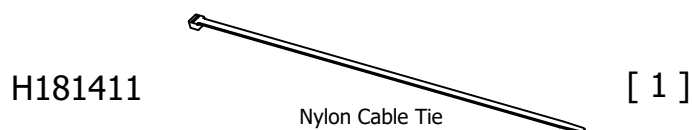
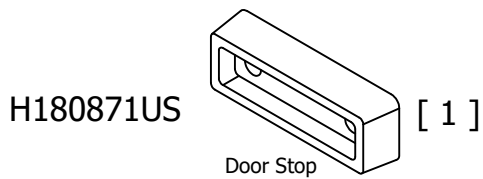
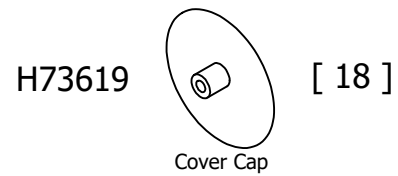
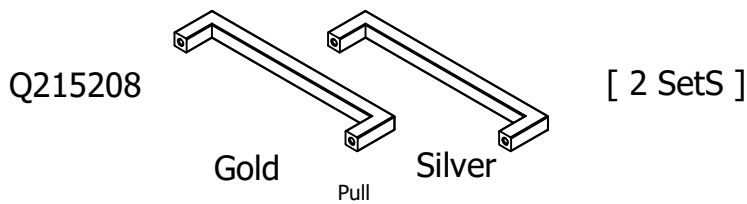
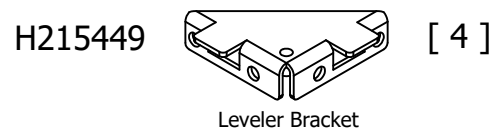
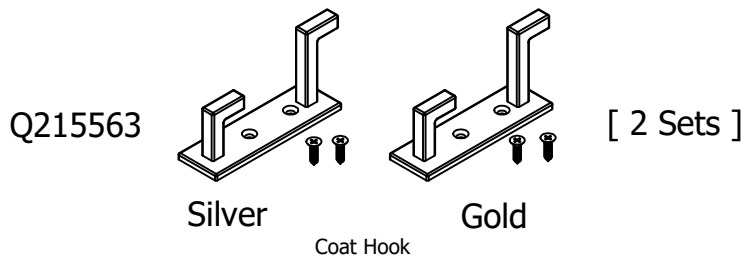
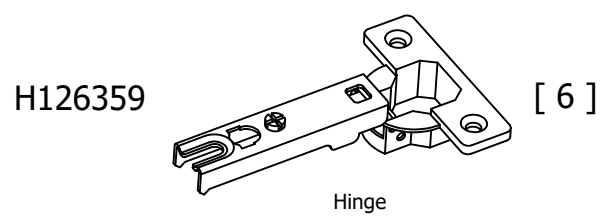
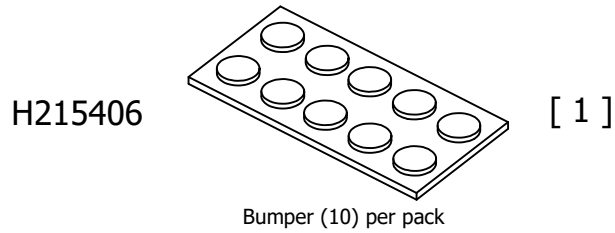
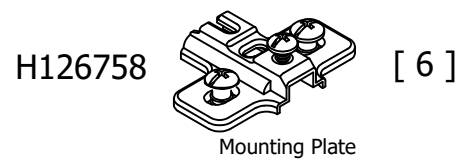
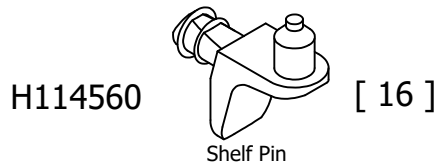
H181434  [1]
#10 x 2"

H107572  [1]
#8 x 1-1/2"

H181419  [1]
Toggle Bolt

Have an assembly question or need a replacement part? Just call
1-800-950-4782, we are here to help.

Hardware not to scale.



Have an assembly question or need a replacement part? Just call
1-800-950-4782, we are here to help.

STEP 1

Prepare Panels

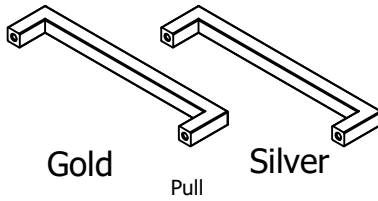
A215890A

H28917 [12]
#6 x 1/2" Silver

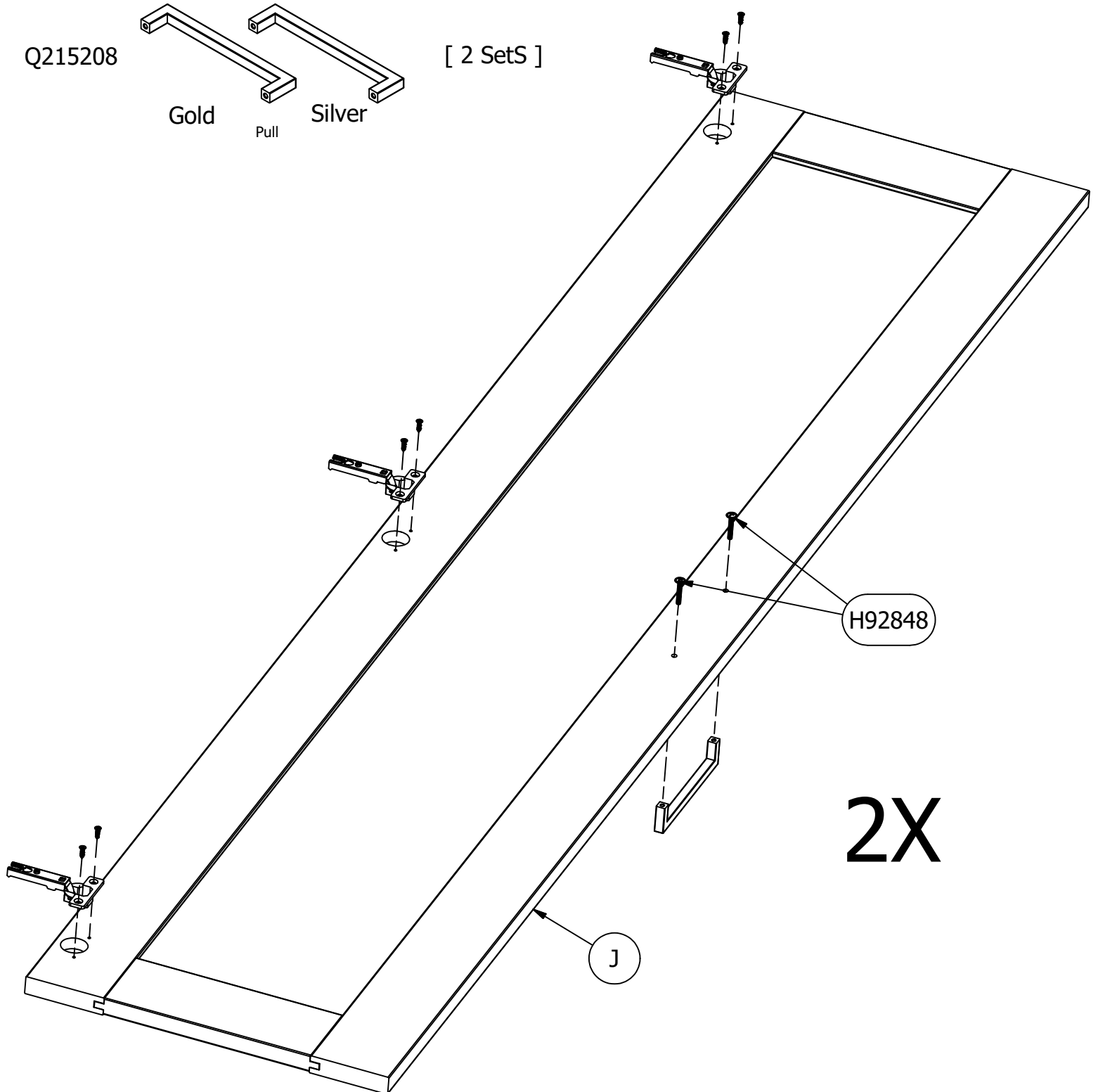
H92848 [4]
(Silver)
M4 x 25mm

H126359 [6]
Hinge

Q215208



[2 SetS]



Have an assembly question or need a replacement part? Just call
1-800-950-4782, we are here to help.

STEP 2

Prepare Panel

A215890A

Scan QR Code to Watch Video on:

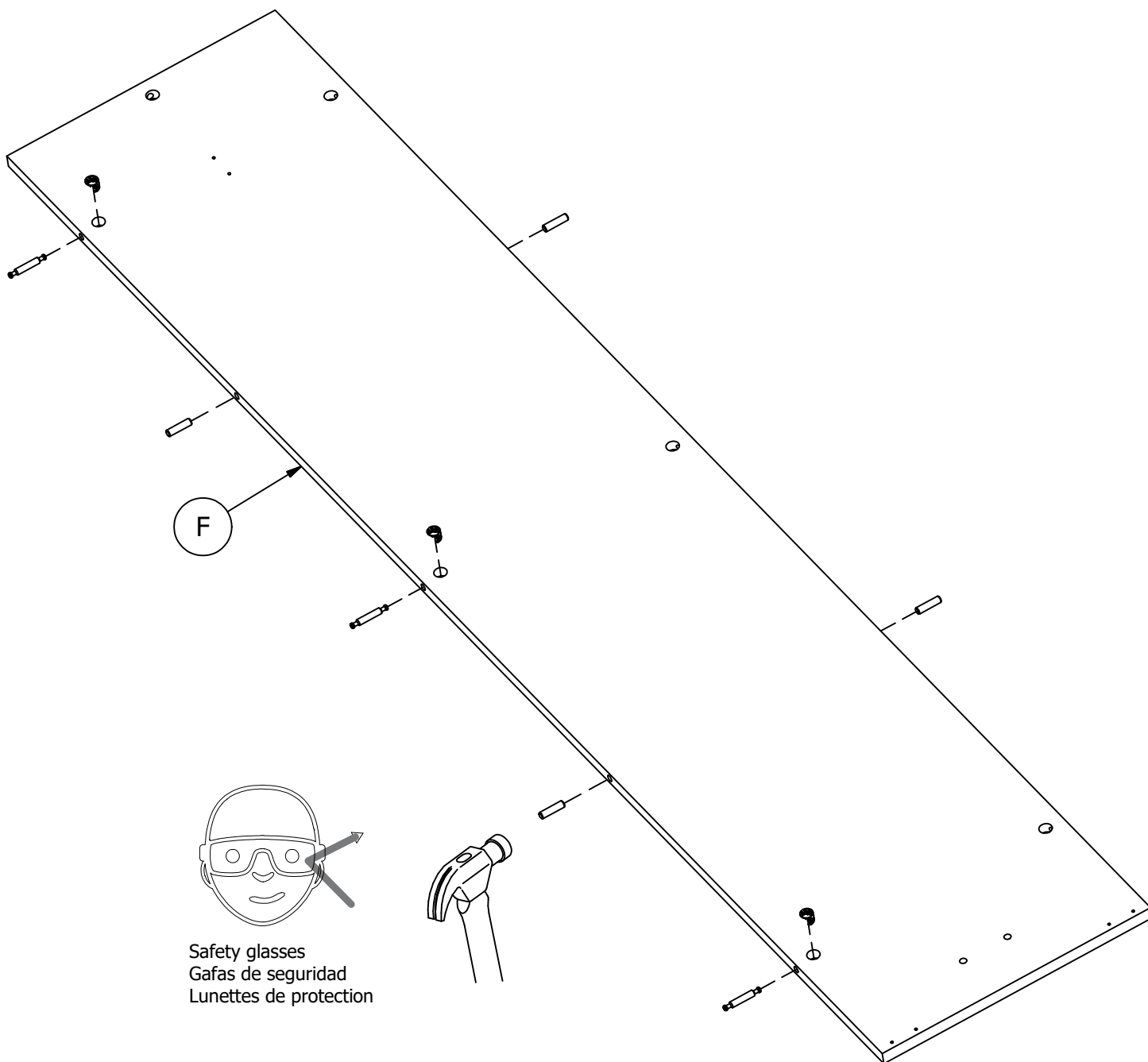
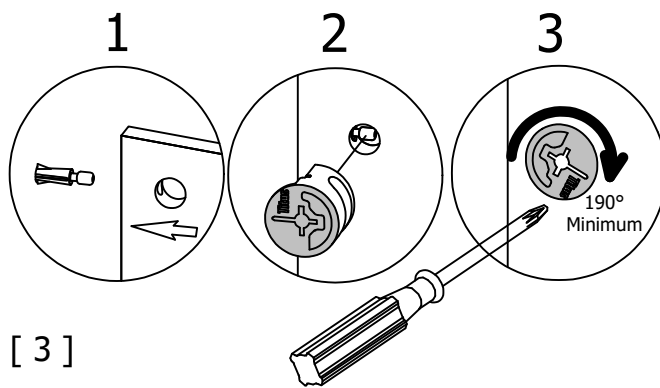


How to Tighten KD Cams

H181468US [3]
KD Cam3000

H38169 [4]
Wood Dowel 8 x 30

H79096 [3]
KD Bolt Double Head



Safety glasses
Gafas de seguridad
Lunettes de protection

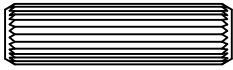
Have an assembly question or need a replacement part? Just call **1-800-950-4782**, we are here to help.

STEP 3

Prepare Panel

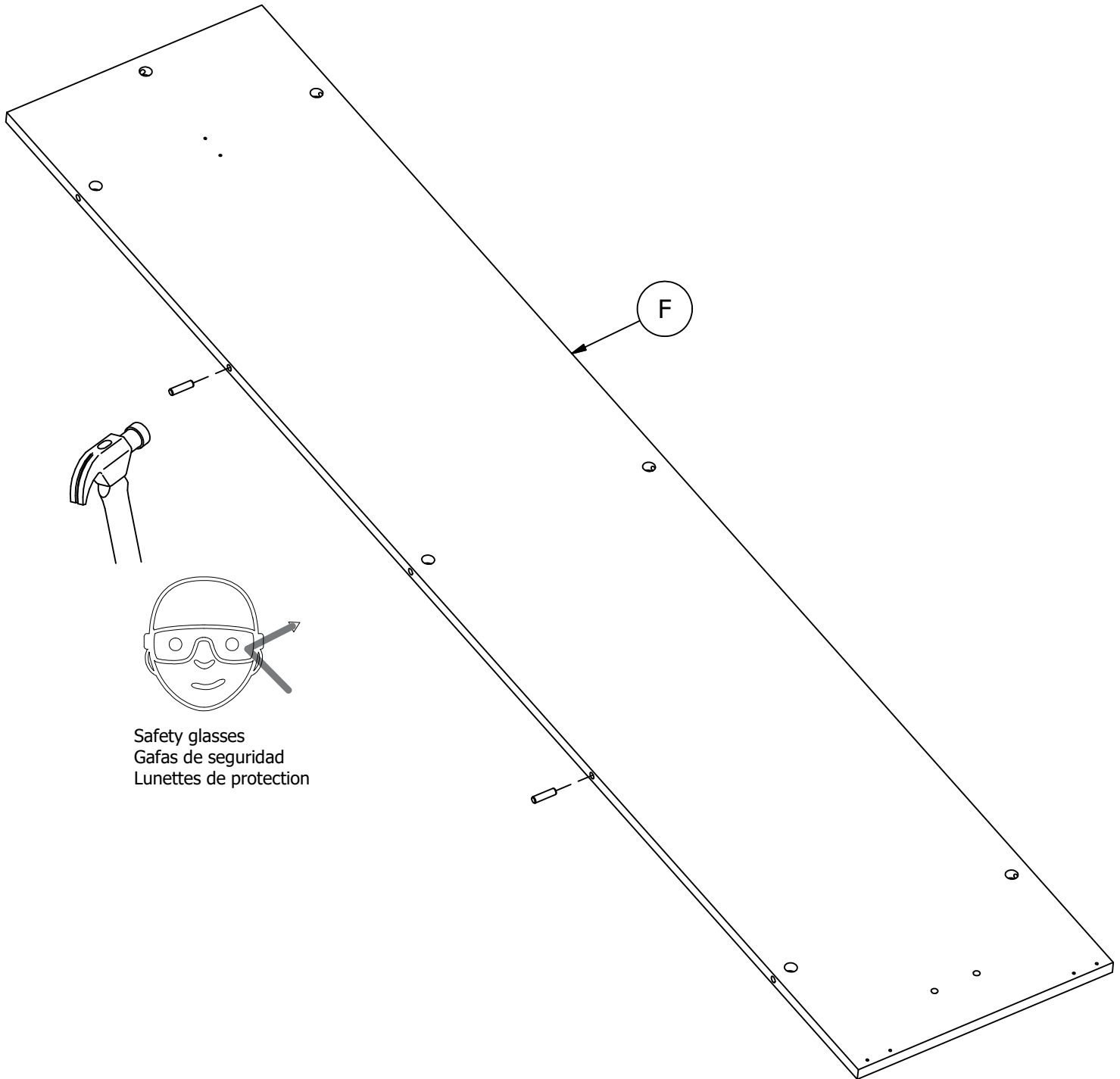
A215890A

H38169



[2]

Wood Dowel 8 x 30



Safety glasses
Gafas de seguridad
Lunettes de protection

Have an assembly question or need a replacement part? Just call
1-800-950-4782, we are here to help.

STEP 4

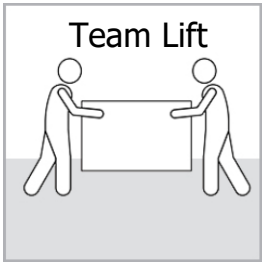
Assemble Panels

A215890A

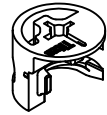
Scan QR Code to Watch Video on:



How to Tighten KD Cams



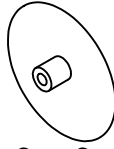
H181468US



KD Cam3000

[3]

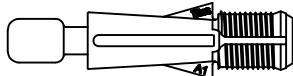
H73619



Cover Cap

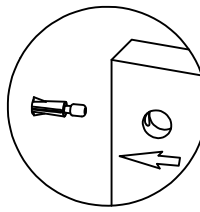
[6]

H171556

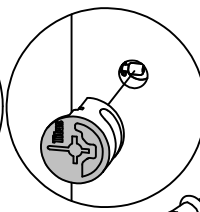


Quickfit TL4

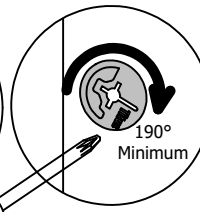
1



2

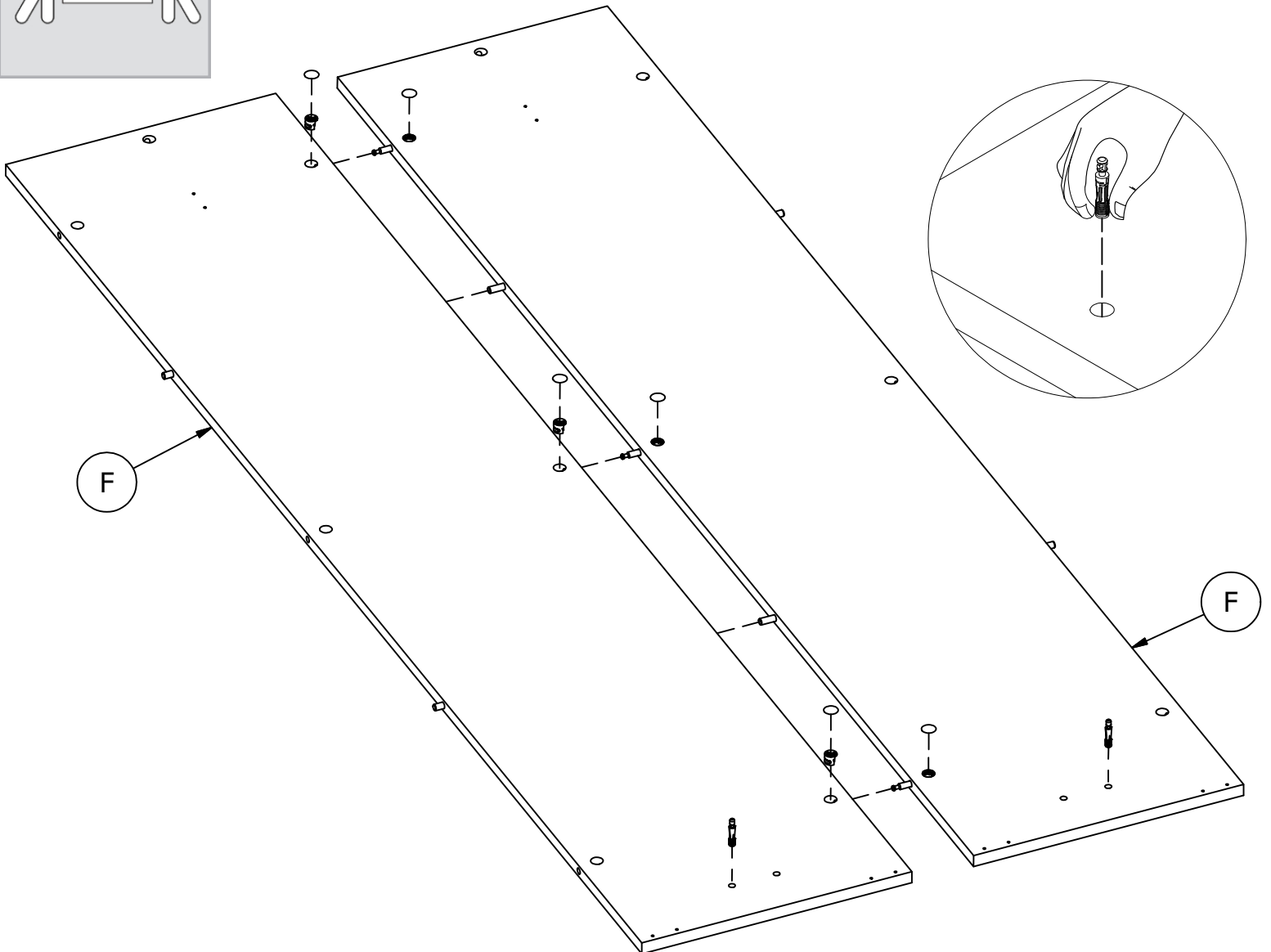
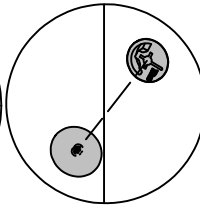


3

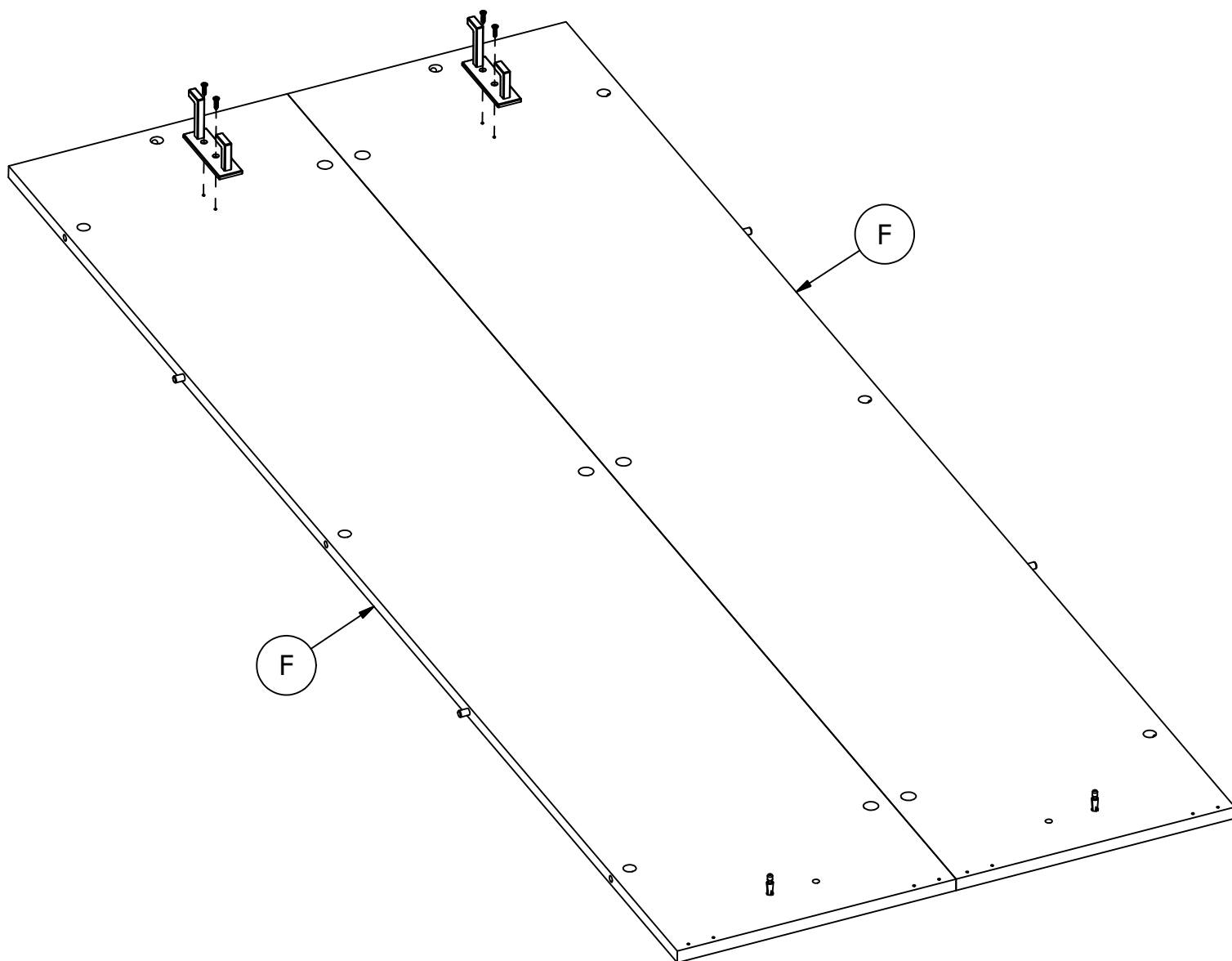
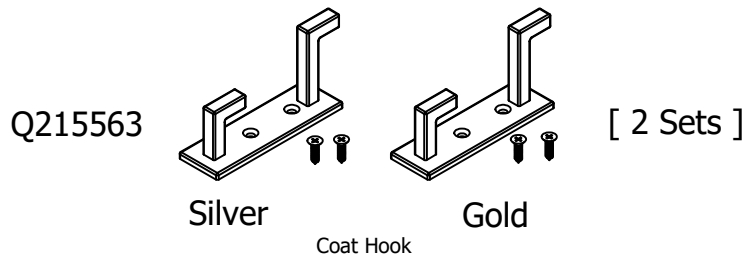


190° Minimum

4



Have an assembly question or need a replacement part? Just call **1-800-950-4782**, we are here to help.



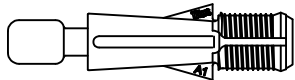
Have an assembly question or need a replacement part? Just call **1-800-950-4782**, we are here to help.

STEP 6

Prepare Panel

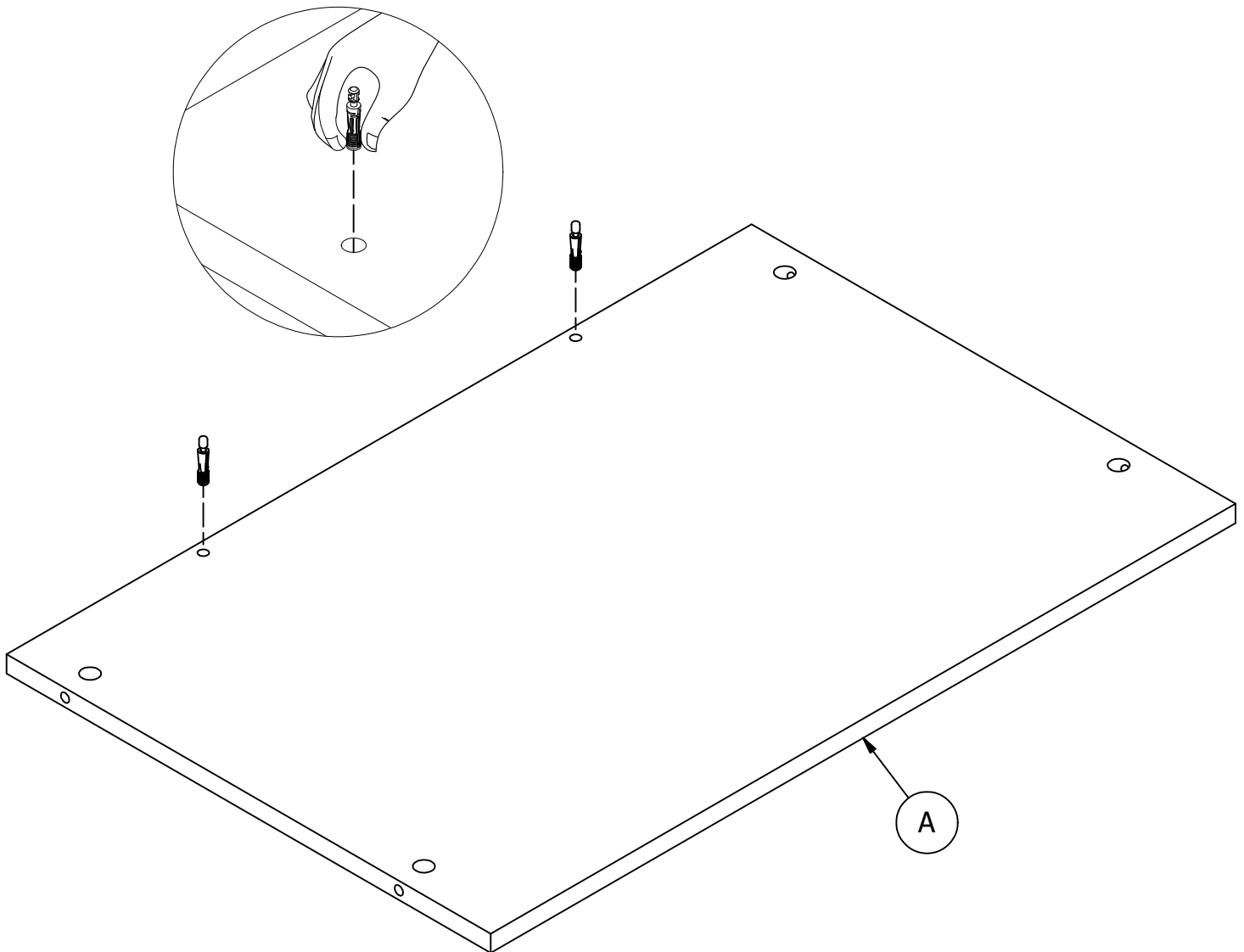
A215890A

H171556



[2]

Quickfit TL4



Have an assembly question or need a replacement part? Just call
1-800-950-4782, we are here to help.

STEP 7

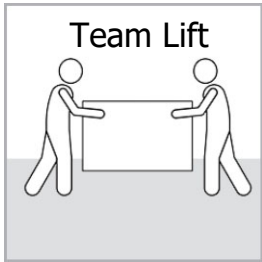
Assemble Panels

A215890A

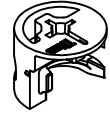
Scan QR Code to Watch Video on:



How to Tighten KD Cams



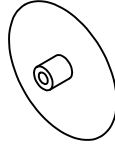
H181468US



KD Cam3000

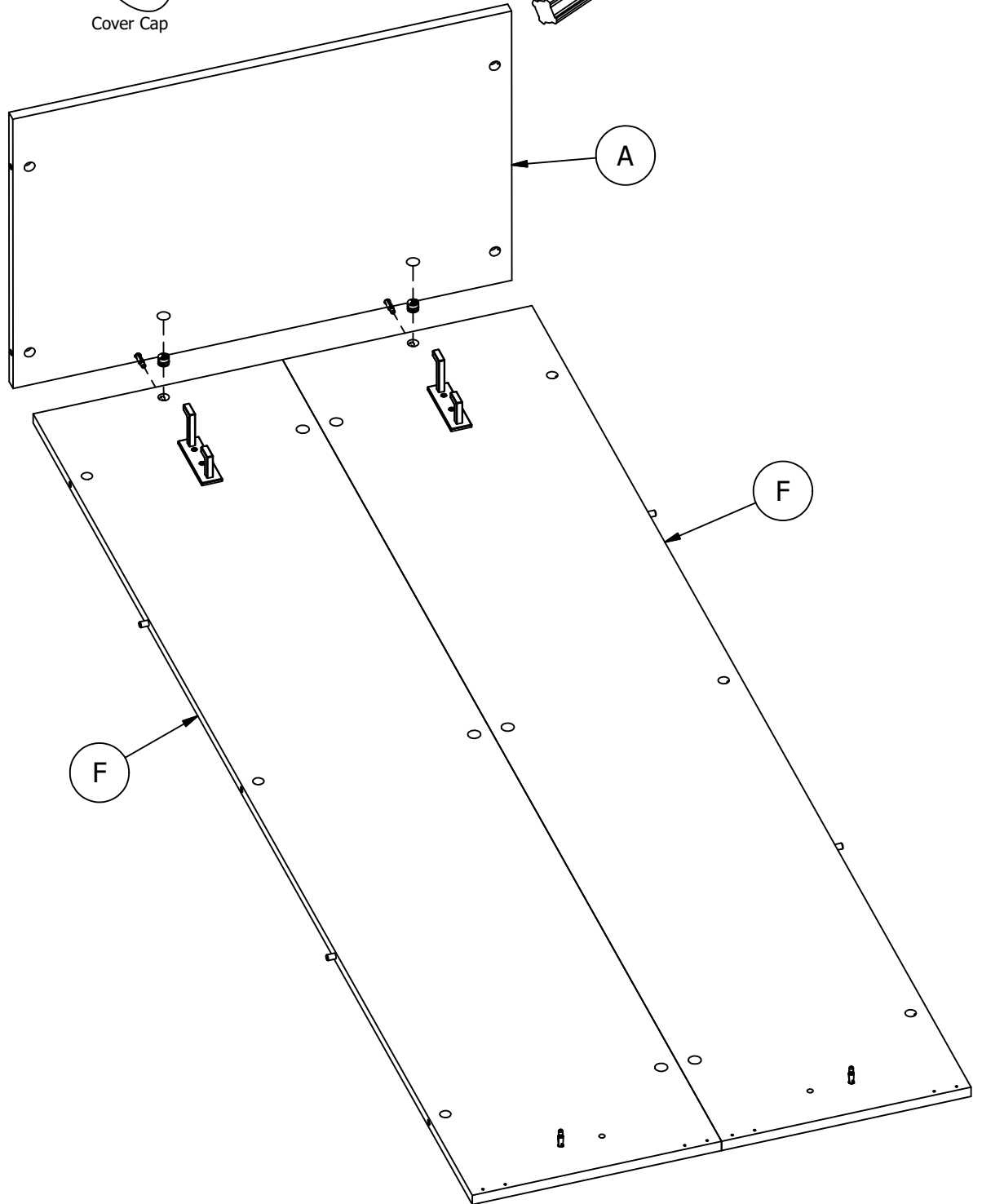
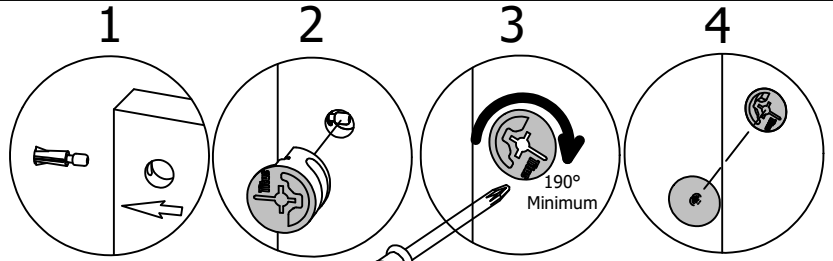
[2]

H73619



Cover Cap

[2]




Have an assembly question or need a replacement part? Just call **1-800-950-4782**, we are here to help.

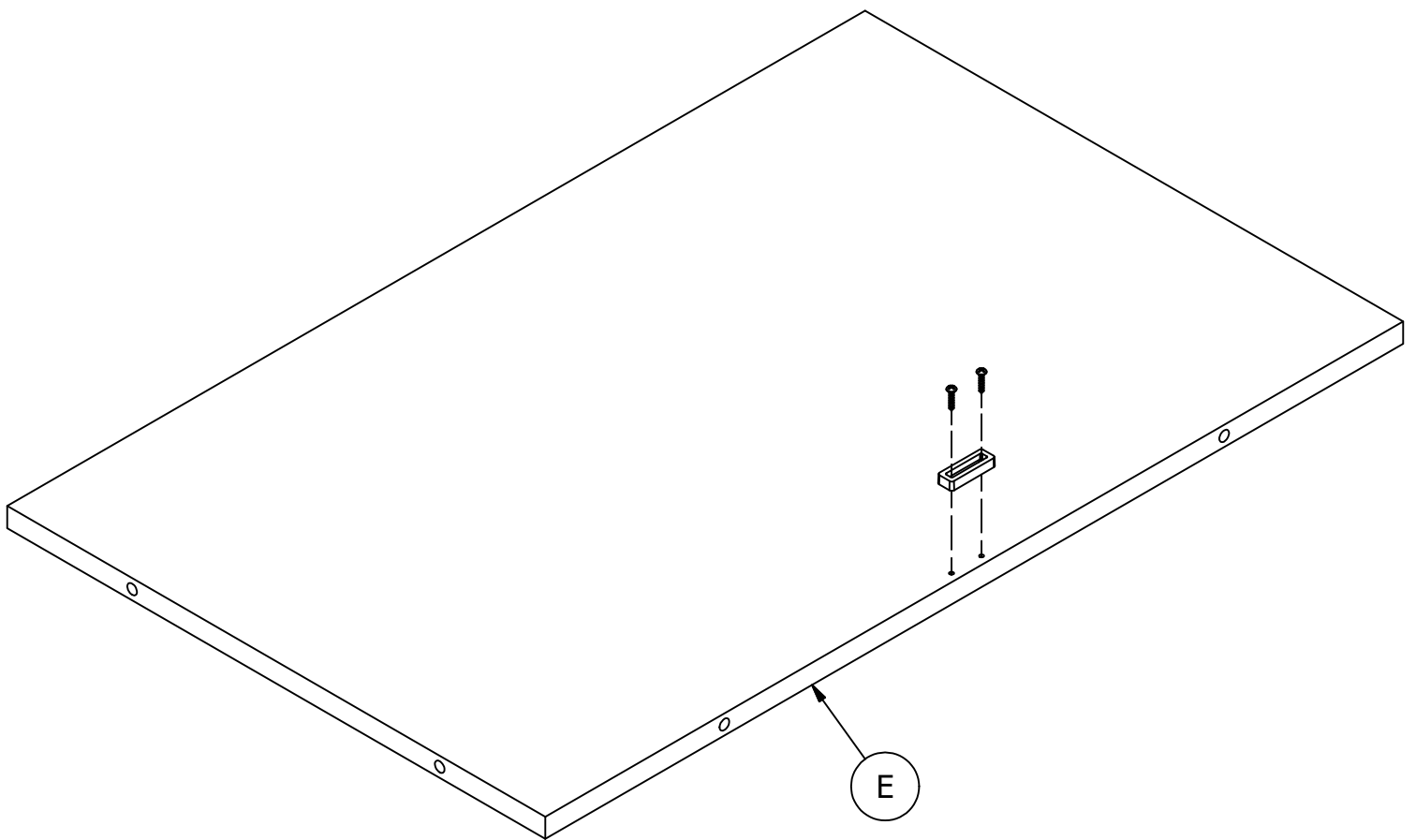
STEP 8

Prepare Panel

A215890A

H21898  [2]
#5 x 5/8"

H180871US  [1]
Door Stop



Have an assembly question or need a replacement part? Just call
1-800-950-4782, we are here to help.

STEP 9

Prepare Panel

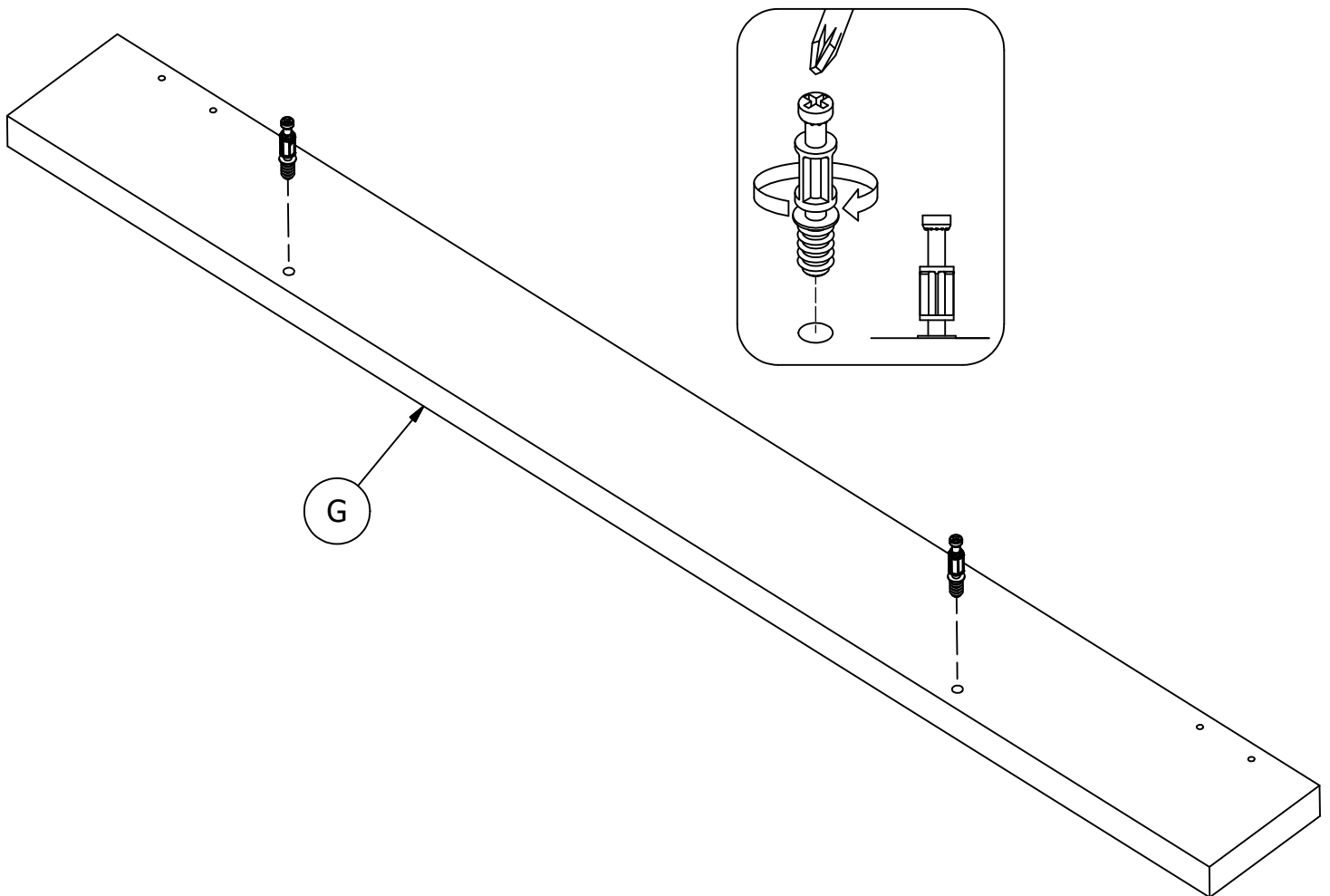
A215890A

H72988



KD Bolt

[2]



Have an assembly question or need a replacement part? Just call
1-800-950-4782, we are here to help.

STEP 10

Assemble Panels

A215890A

Scan QR Code to Watch Video on:



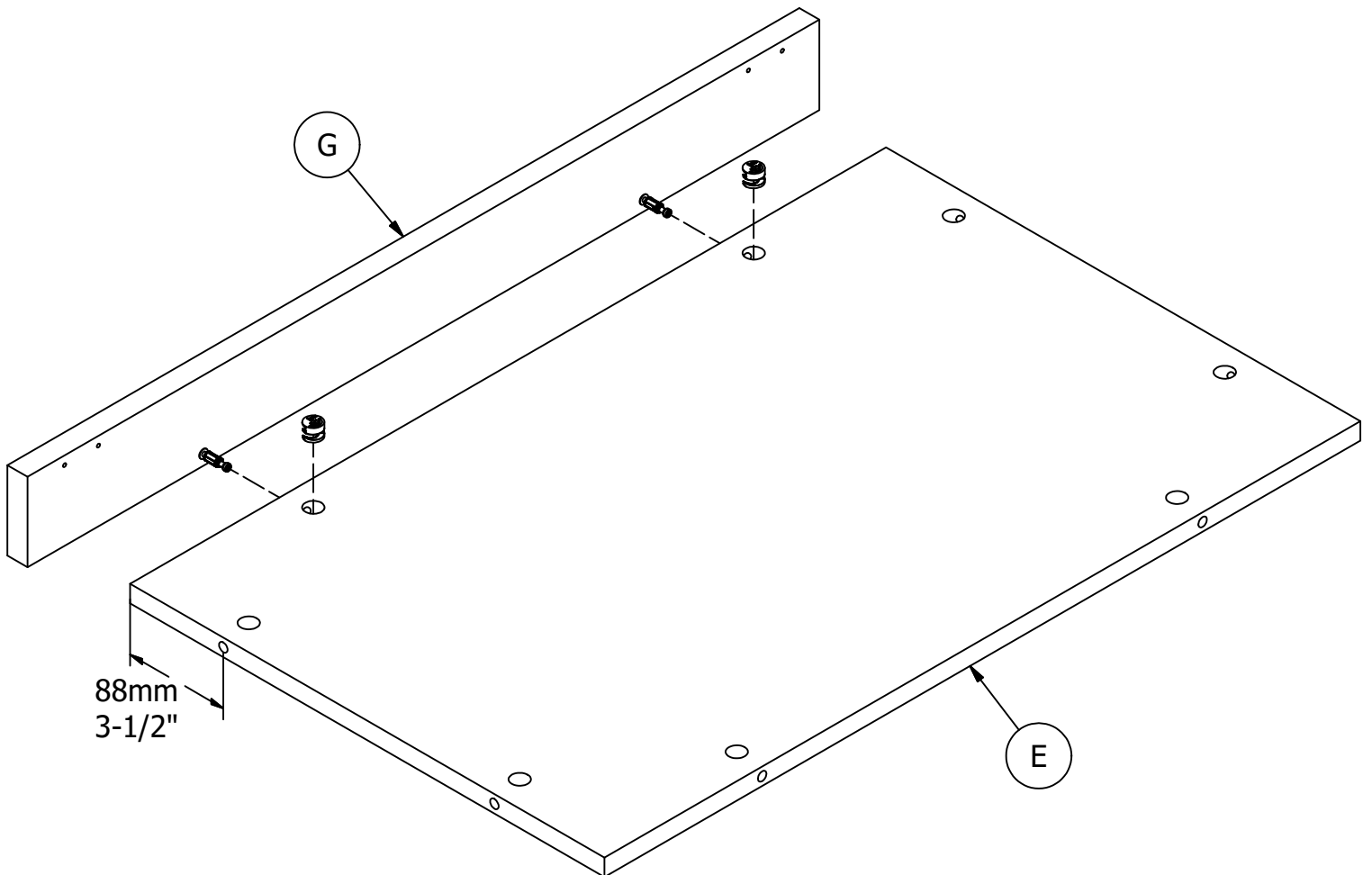
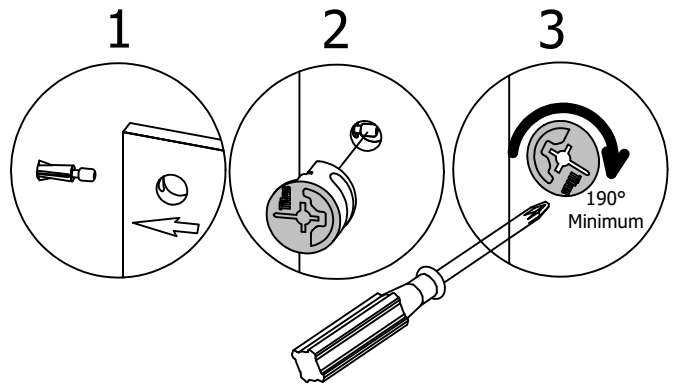
How to Tighten KD Cams

H181468US



KD Cam3000

[2]



Have an assembly question or need a replacement part? Just call **1-800-950-4782**, we are here to help.

STEP 11

Assemble Panels

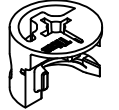
A215890A

Scan QR Code to Watch Video on:



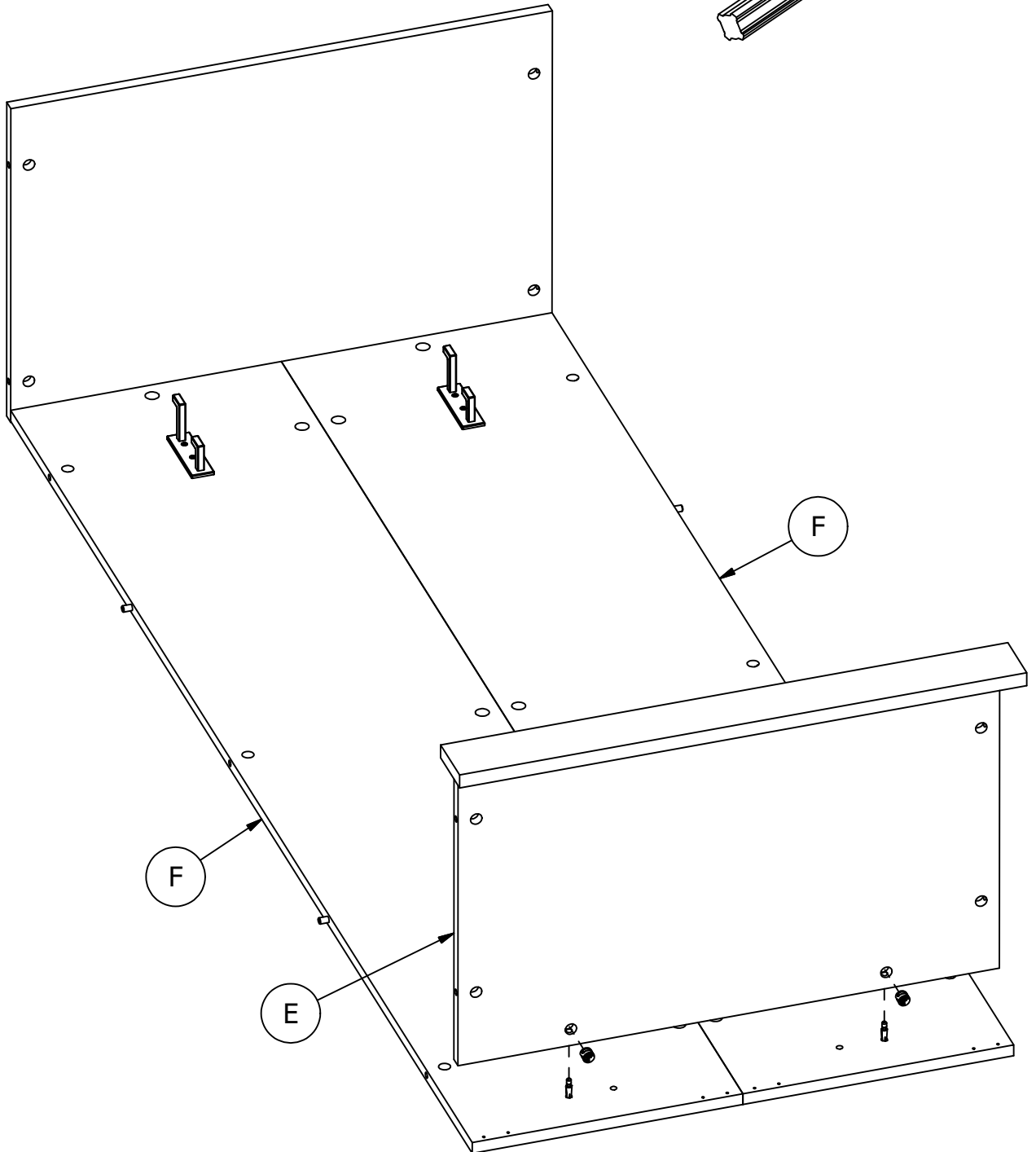
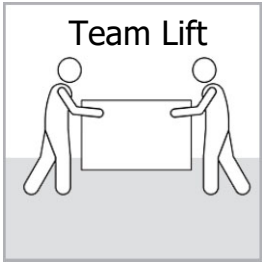
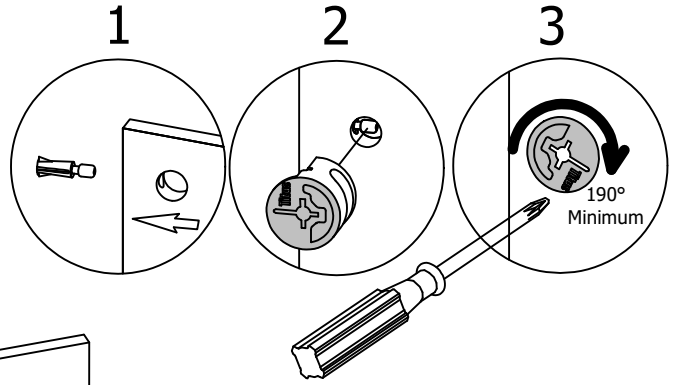
How to Tighten KD Cams

H181468US



KD Cam3000

[2]



Have an assembly question or need a replacement part? Just call **1-800-950-4782**, we are here to help.

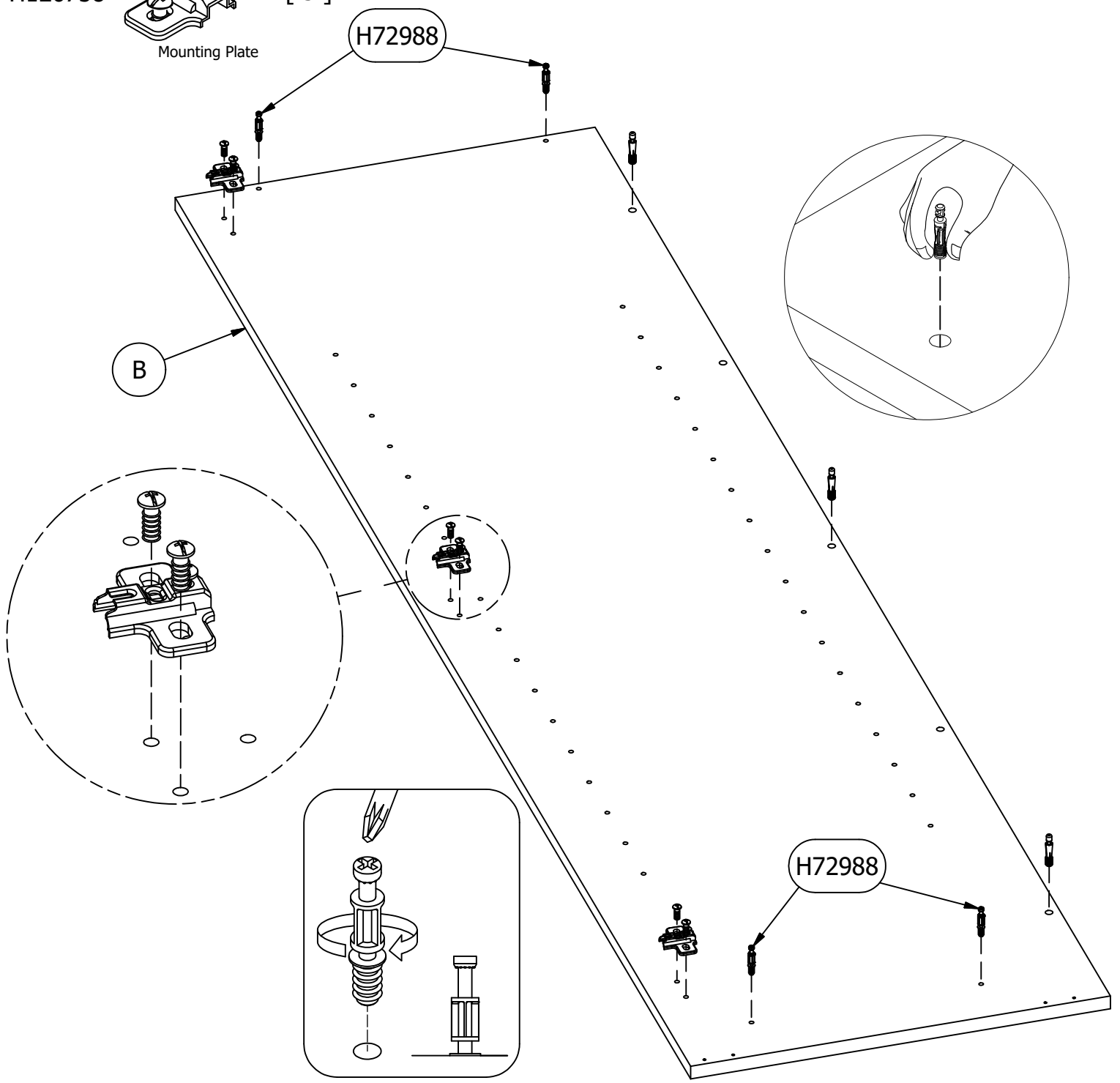
STEP 12

Prepare Panel

A215890A

- H171556 Quickfit TL4 [3]
- H72988 KD Bolt [4]

- H126758 Mounting Plate [3]



Have an assembly question or need a replacement part? Just call **1-800-950-4782**, we are here to help.

STEP 13

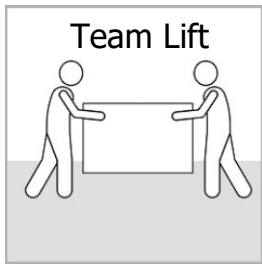
Assemble Panels

A215890A

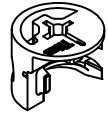
Scan QR Code to Watch Video on:



How to Tighten KD Cams



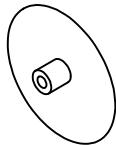
H181468US



KD Cam3000

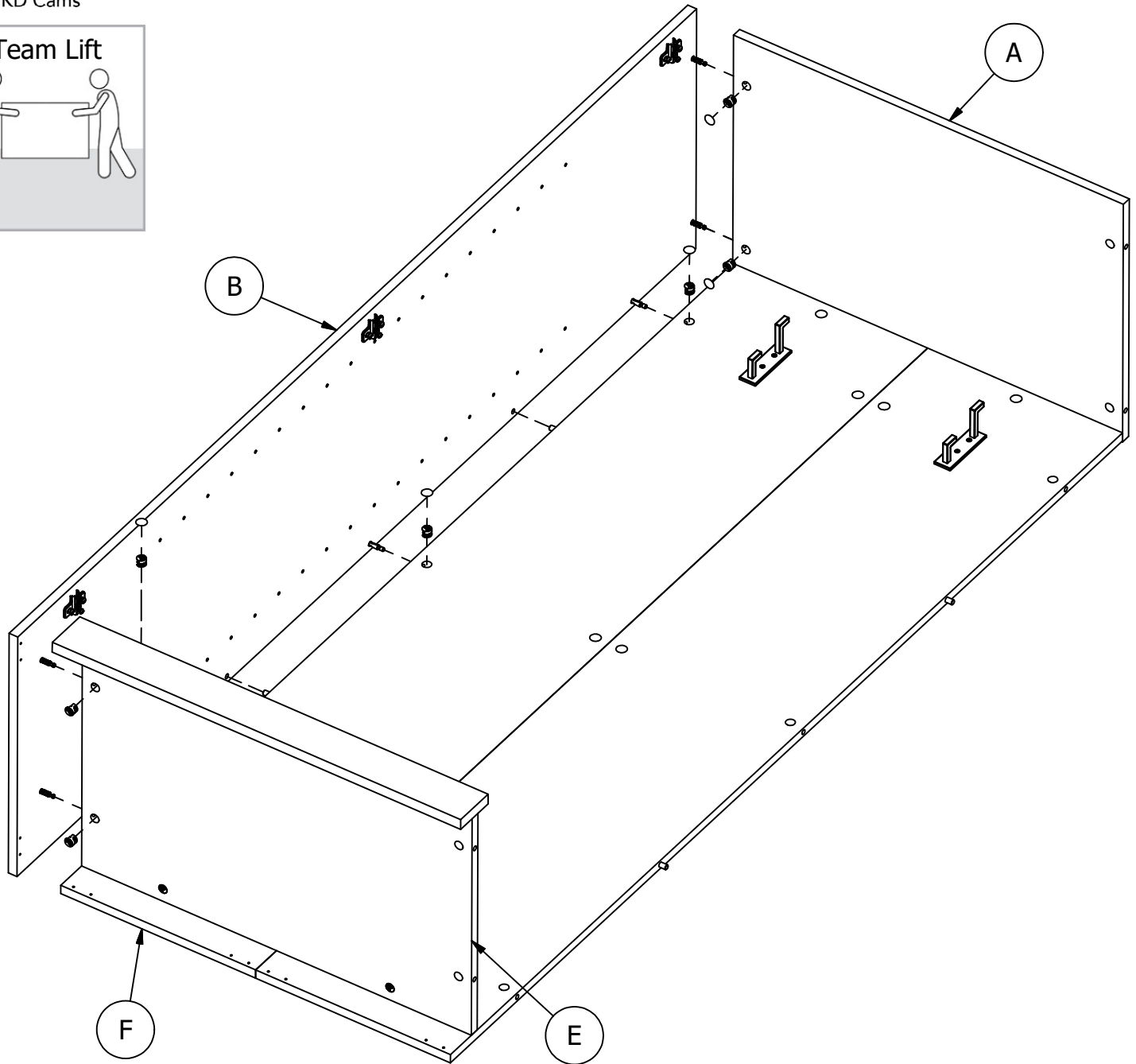
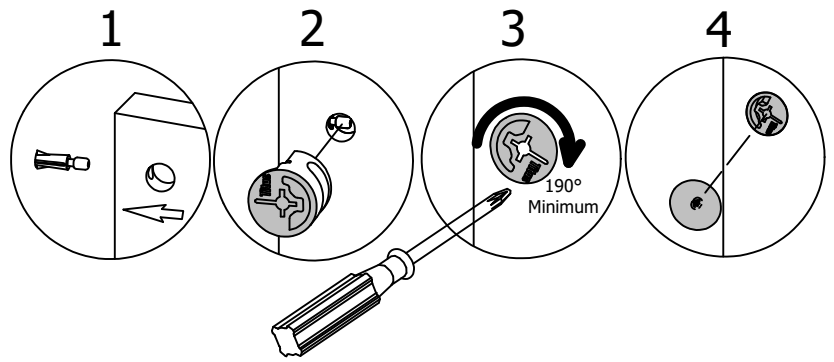
[7]

H73619



Cover Cap

[5]

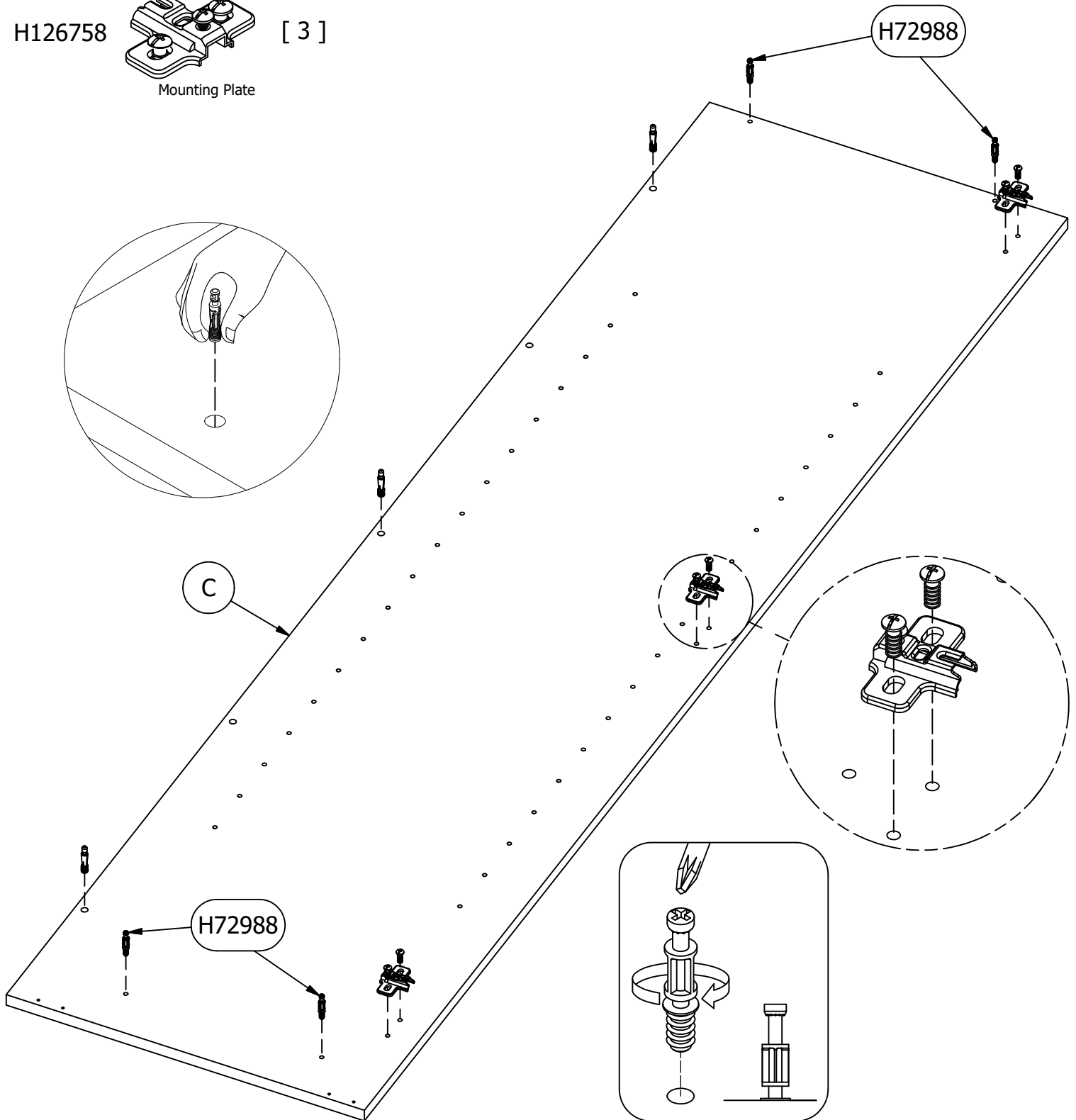
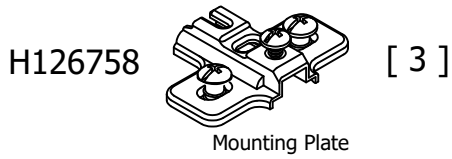
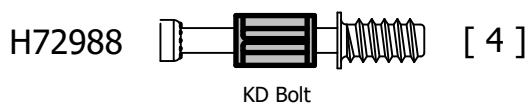
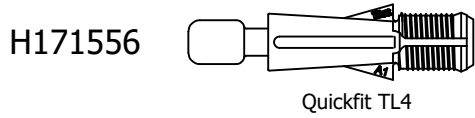


Have an assembly question or need a replacement part? Just call **1-800-950-4782**, we are here to help.

STEP 14

Prepare Panel

A215890A



Have an assembly question or need a replacement part? Just call
1-800-950-4782, we are here to help.

STEP 15

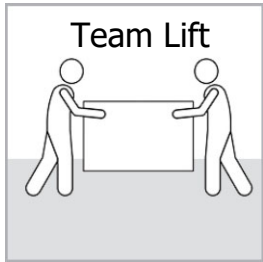
Assemble Panels

A215890A

Scan QR Code to Watch Video on:

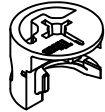


How to Tighten KD Cams



Team Lift

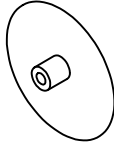
H181468US



KD Cam3000

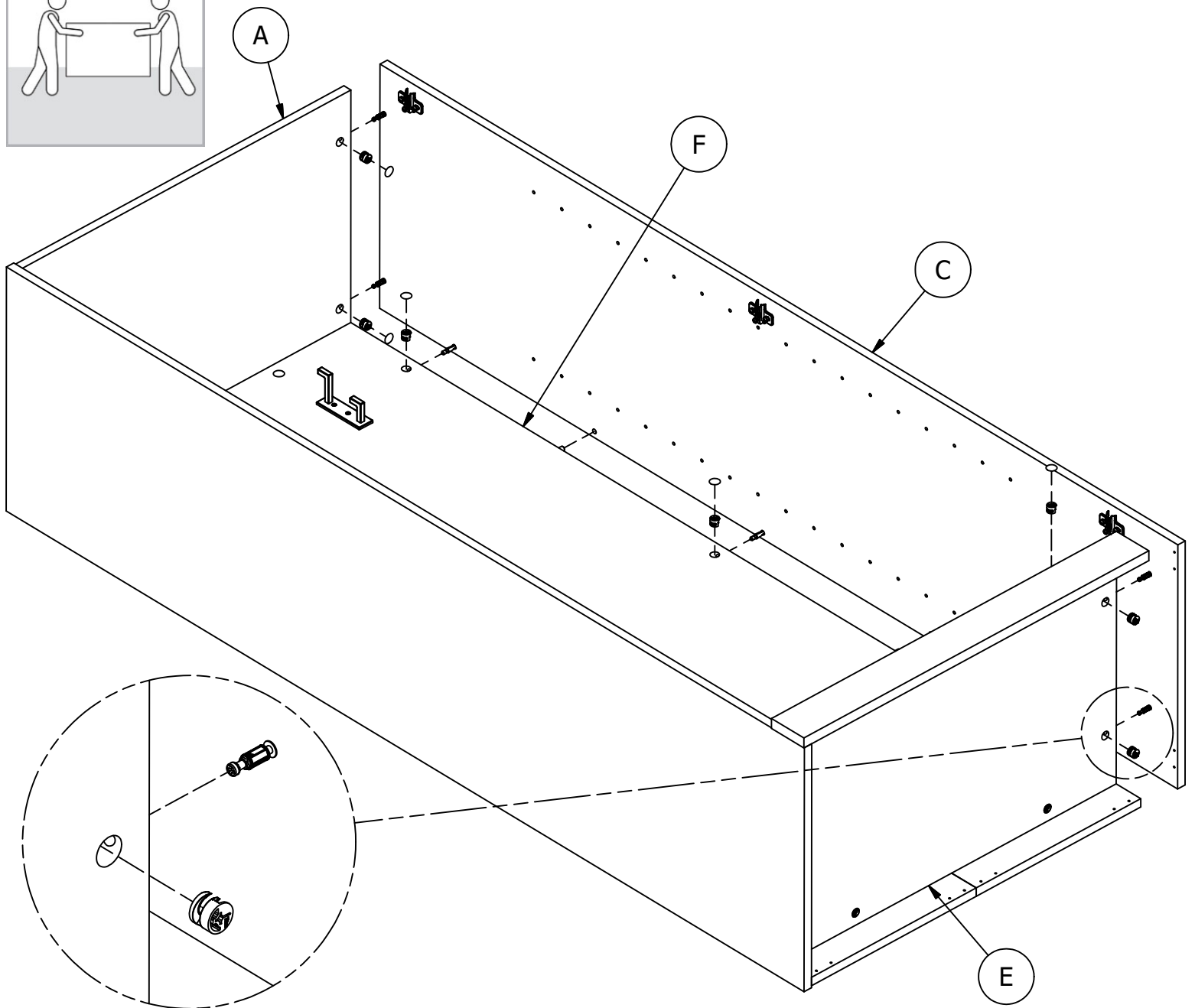
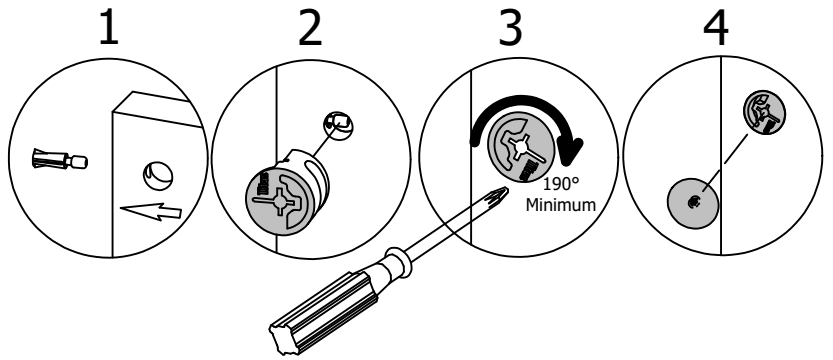
[7]

H73619



Cover Cap

[5]




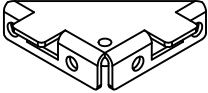
Have an assembly question or need a replacement part? Just call **1-800-950-4782**, we are here to help.

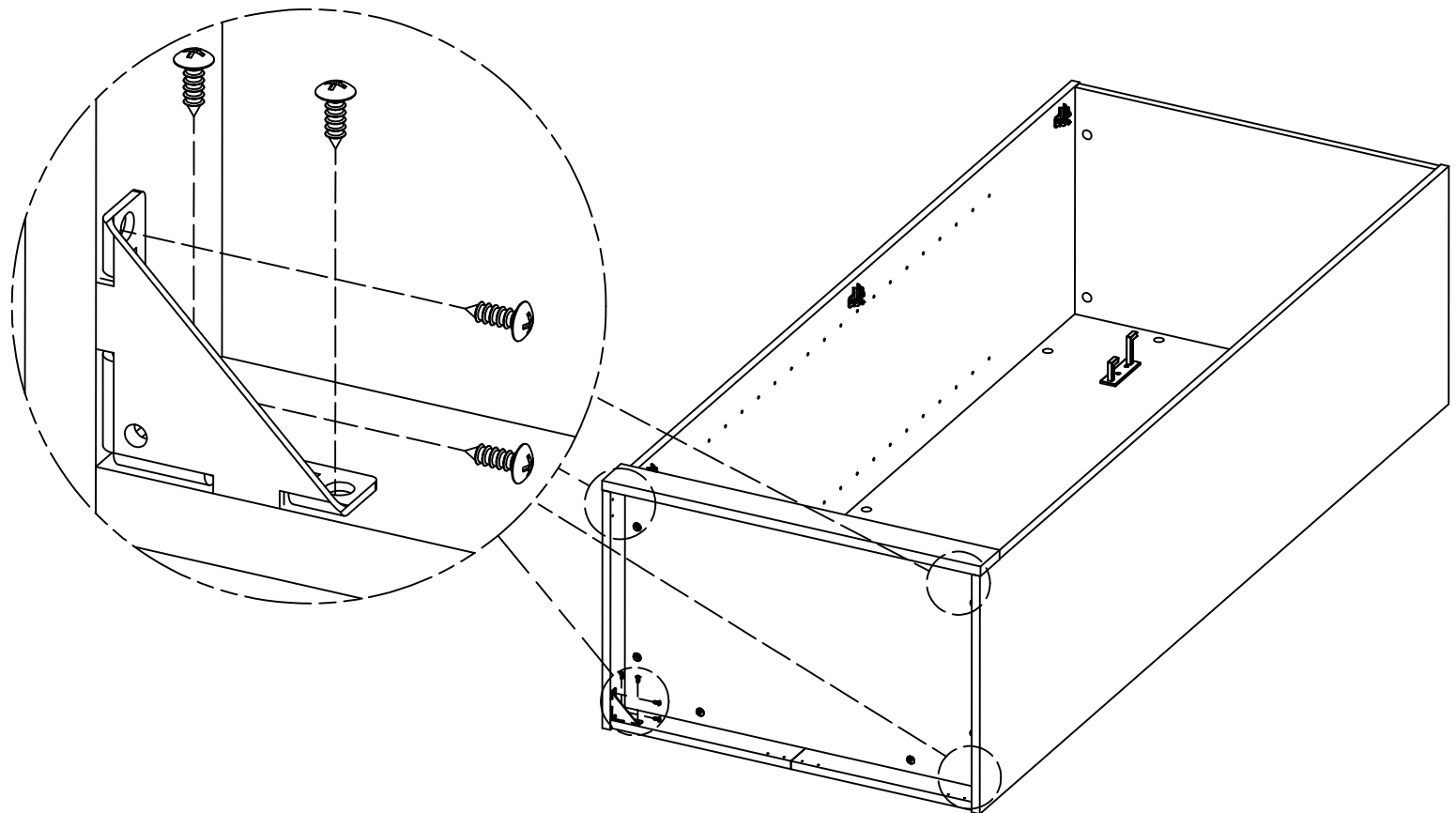
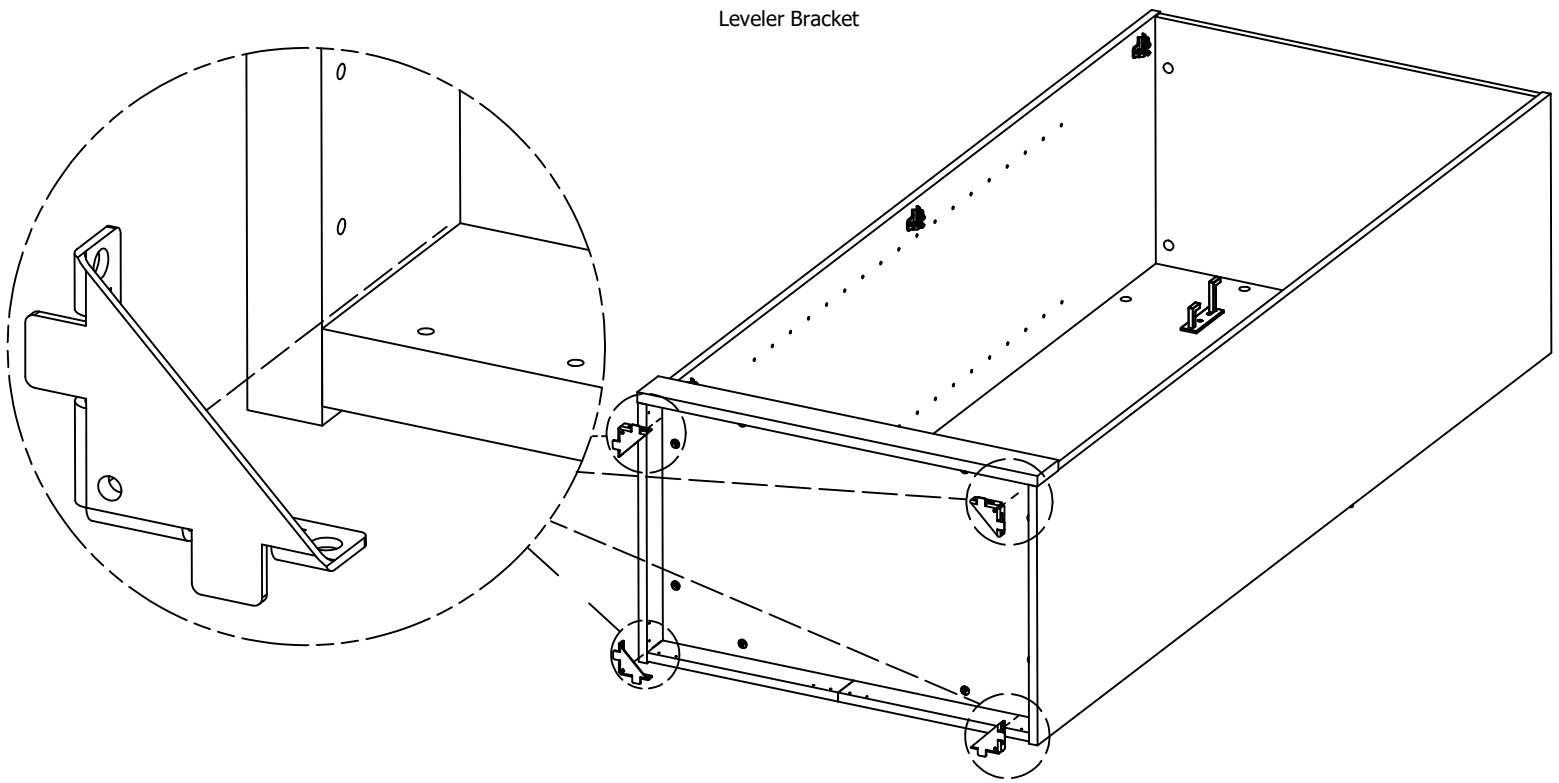
STEP 16

Install Hardware

A215890A

H192100  [16]
#8 x 1/2"

H215449  [4]
Leveler Bracket



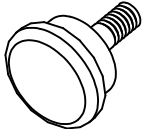
Have an assembly question or need a replacement part? Just call
1-800-950-4782, we are here to help.

STEP 17

Install Hardware

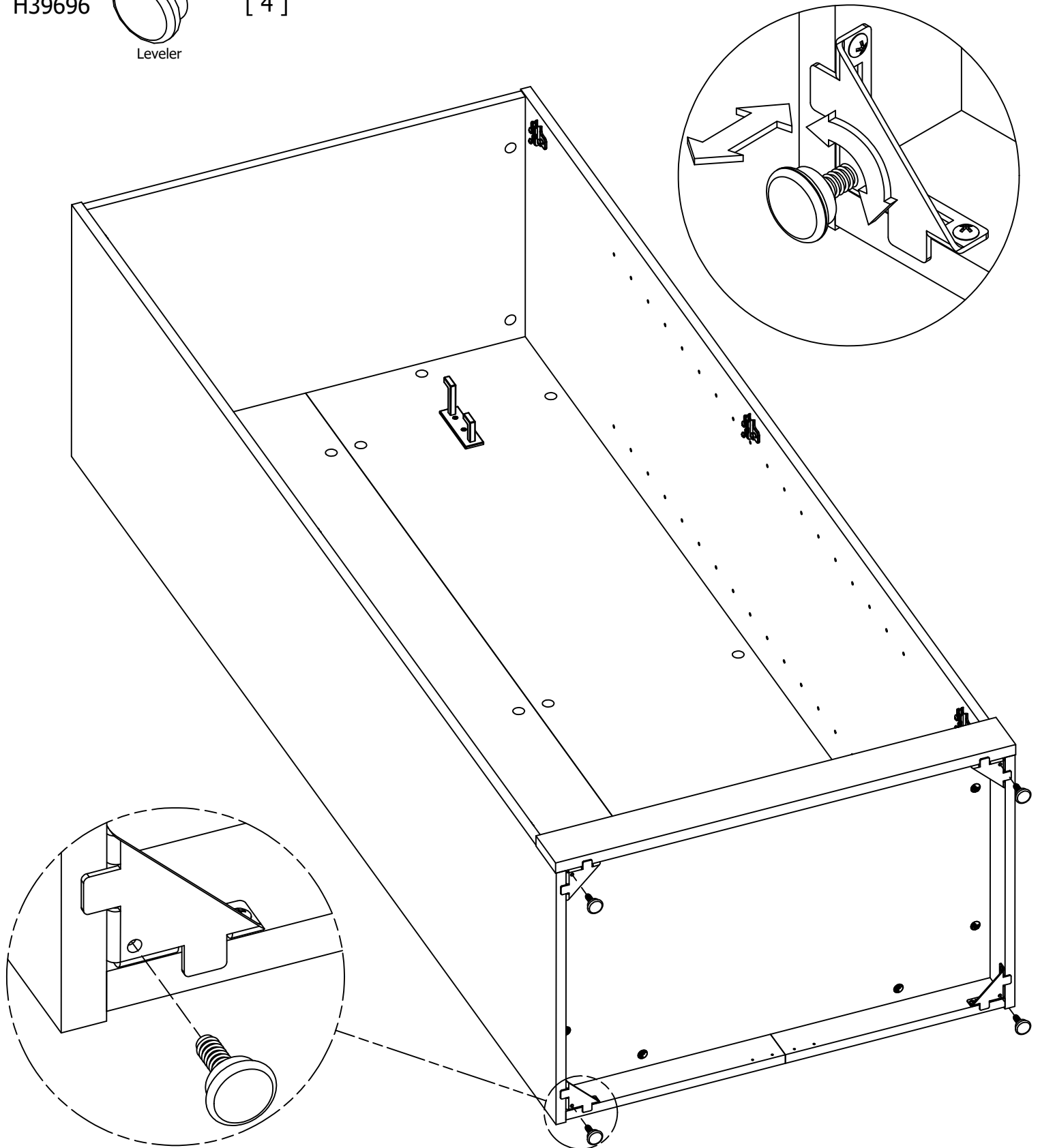
A215890A

H39696



Leveler

[4]



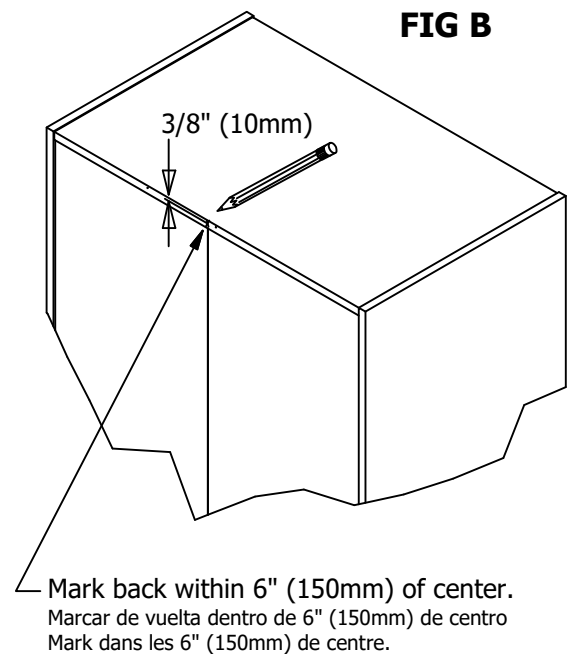
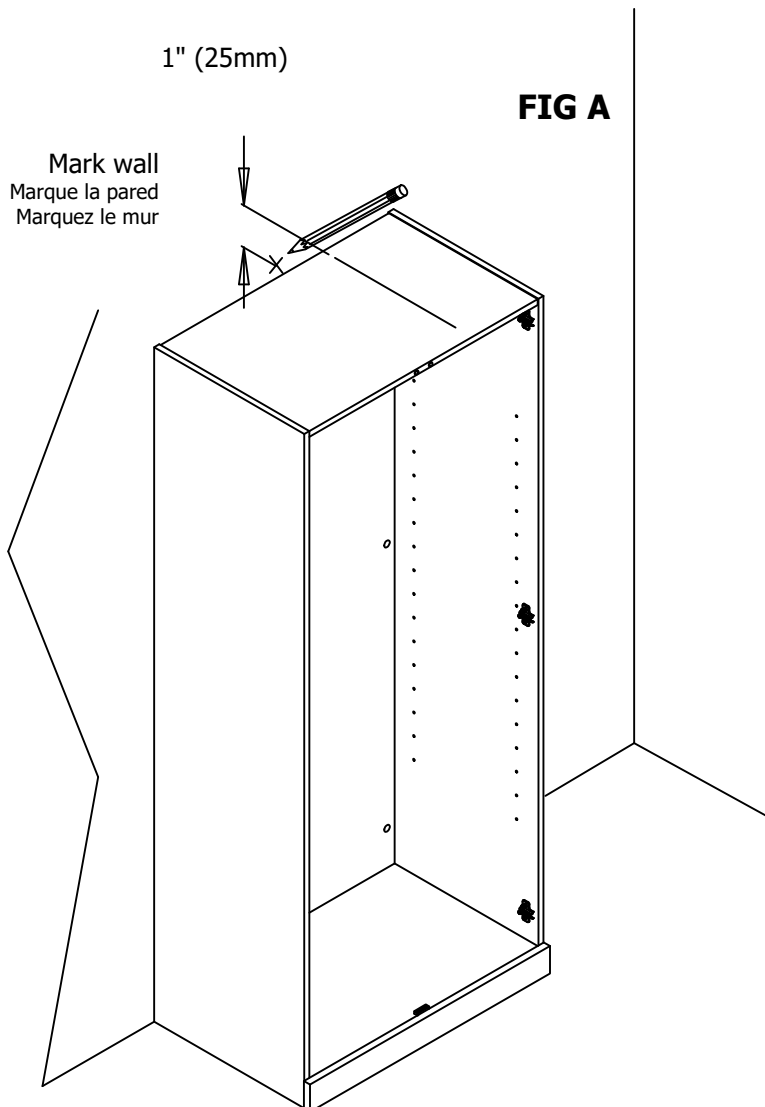
Have an assembly question or need a replacement part? Just call
1-800-950-4782, we are here to help.

Secure unit to the wall with a tip-over restraint.
 Unidad de seguro a la pared con un sistema de retención de un vuelco.
 Fixer l'unité au mur avec un dispositif de retenue renversement.

1. Place unit in desired location.
2. Locate wall stud nearest unit center. **FIG A**
3. On wall, mark center of stud location 1" below top of unit. **FIG A**
4. If a wall stud cannot be located mark hollow wall at unit center. **FIG A**
5. On back of unit, mark corresponding location 3/8" below top of unit. **FIG B**

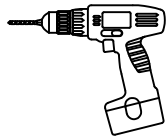
1. Coloque la unidad en el lugar deseado.
2. Localice pie derecho de pared centro de unidad más próxima.
3. En la pared del, marque el centro de la ubicación del montante 1 "abajo la parte superior de la unidad.
4. Si un poste de la pared no se puede localizar marcar pared hueca en el centro de la unidad.
5. En el dorso de la unidad, marque la ubicación 3/8 correspondiente abajo la parte superior de la unidad.

1. Placez l'unité à l'endroit désiré.
2. Localiser centre d'unité la plus proche de la paroi Stud.
3. Sur le mur, centre de emplacement du montant 1 "ci-dessous dessus de l'appareil de la marque.
4. Si un montant de mur ne peut pas être situé marquer mur creux au centre de l'unité.
5. Le dos de l'appareil, marquer l'emplacement 3/8 correspondant ci-dessous dessus de l'appareil.

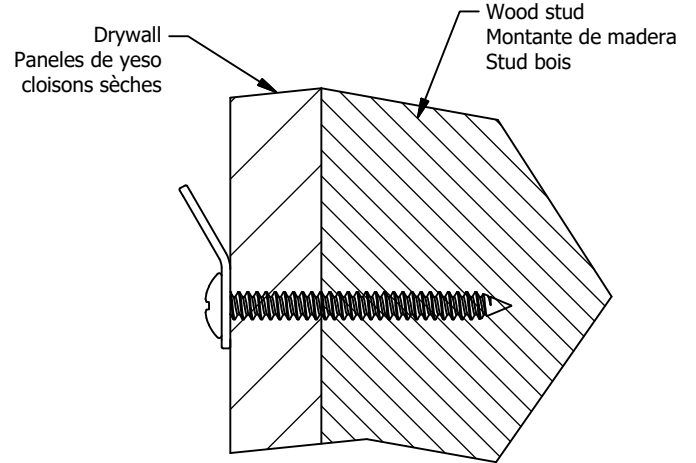
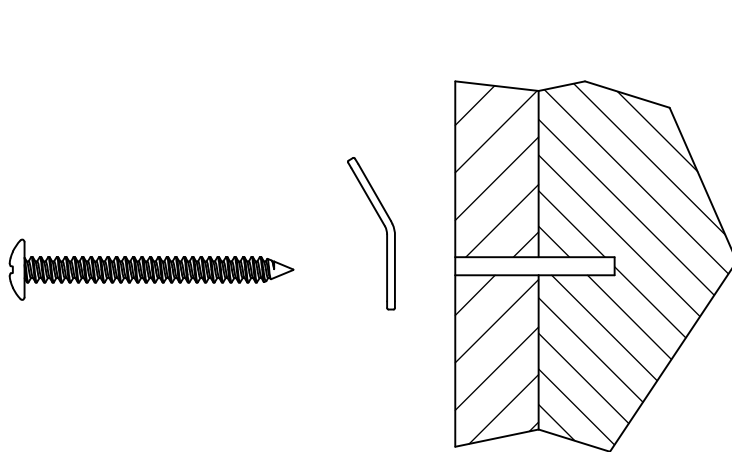
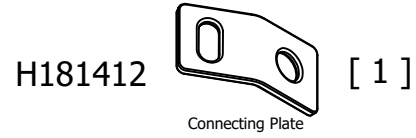
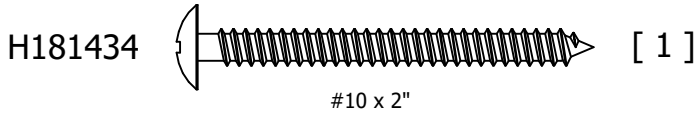


Have an assembly question or need a replacement part? Just call
1-800-950-4782, we are here to help.

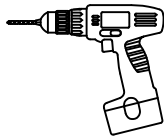
WALL STUD ATTACHMENT



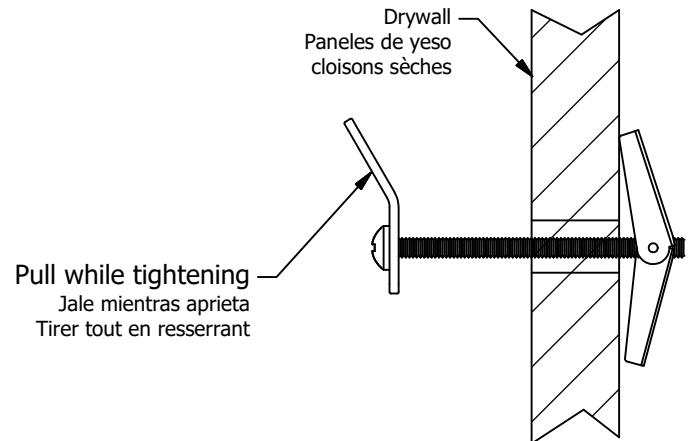
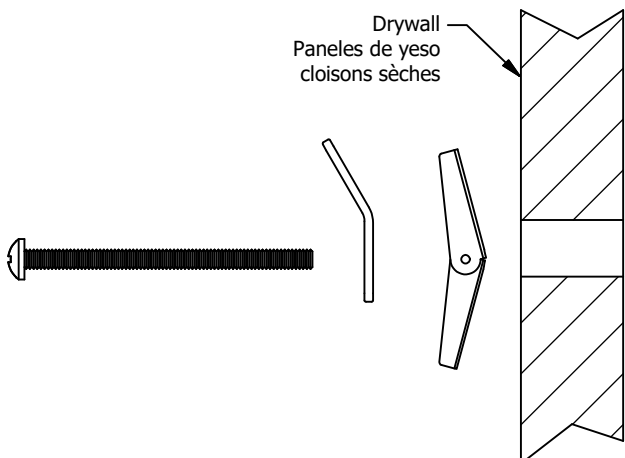
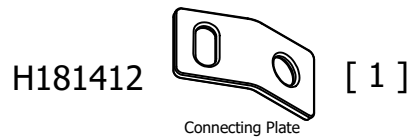
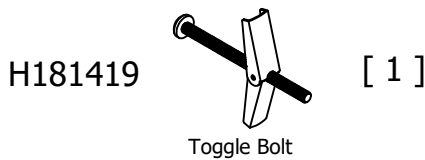
Drill 1/8" hole 2" deep at mark on wall.
 Taladro 1/8 "agujero 2" de profundidad en la marca en la pared.
 Percer 1/8 "trou de 2" de profondeur à la marque sur le mur.



HOLLOW WALL ATTACHMENT

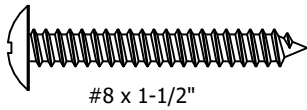


Drill 1/2" hole 1" deep at mark on wall.
 Taladro 1/2 "agujero 1" de profundidad en la marca en la pared.
 Percer 1/2 "trou de 1" de profondeur à la marque sur le mur.



Have an assembly question or need a replacement part? Just call
1-800-950-4782, we are here to help.

H107572

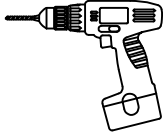


[1]

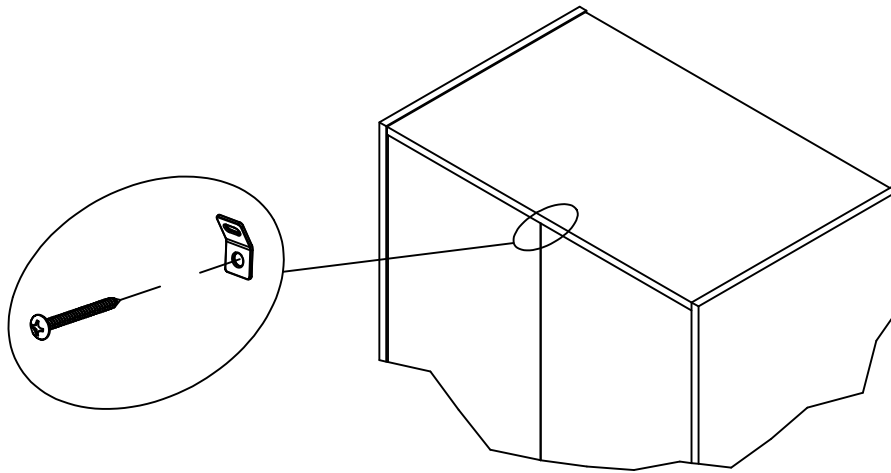
H181412



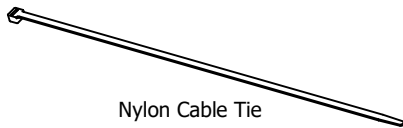
[1]



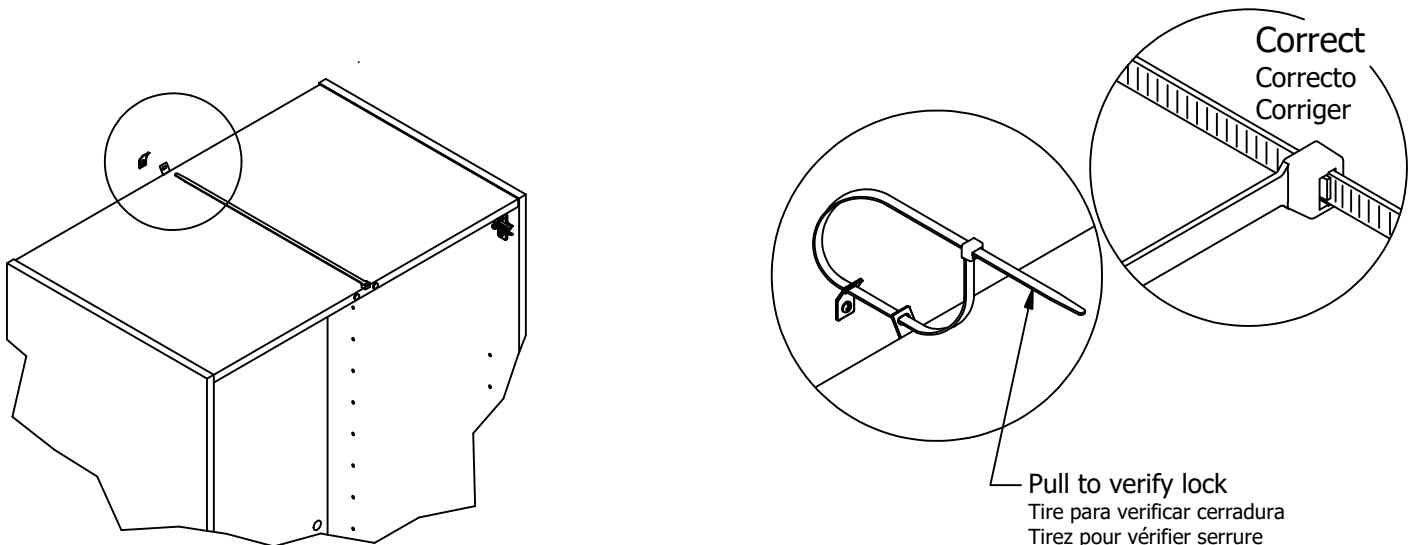
Drill 1/8" hole 1" deep at mark on unit.
Taladro 1/8 "agujero de 1" de profundidad en la marca de la unidad.
Perçer 1/8 "trou 1" de profondeur à la marque sur l'unité.



H181411



[1]



Use replacement cable tie with minimum breaking strength of 120lbs.
Utilice reemplazo empate Cable con resistencia a la rotura mínima de 120 libras.
Utilisez remplacement Attache de câble avec une force de rupture minimale de 120 lbs.

Have an assembly question or need a replacement part? Just call
1-800-950-4782, we are here to help.

STEP 21

Install Panels

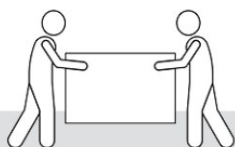
A215890A

Scan QR Code to Watch Video on:



How to Adjust Door Hinges

Team Lift

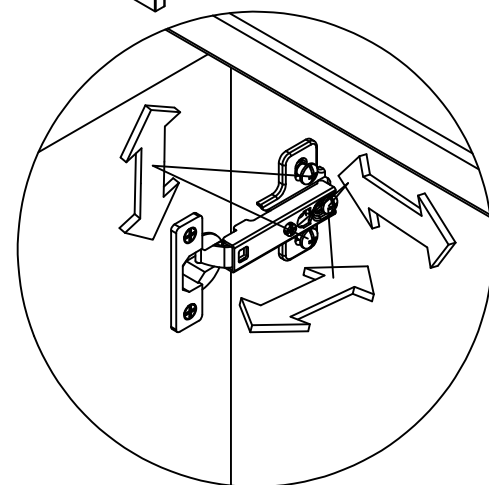
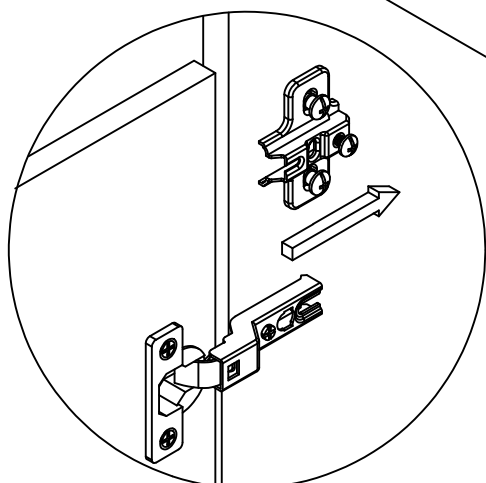
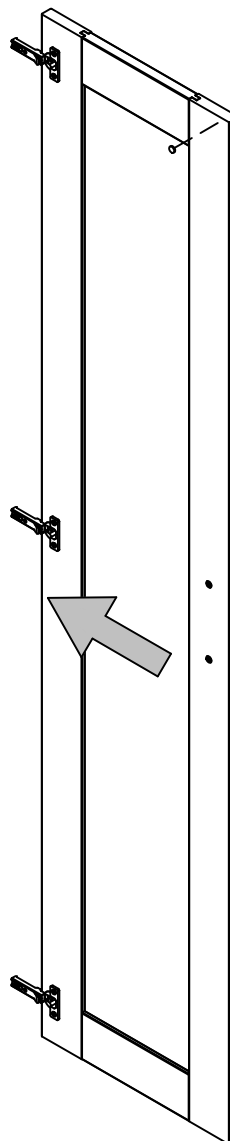
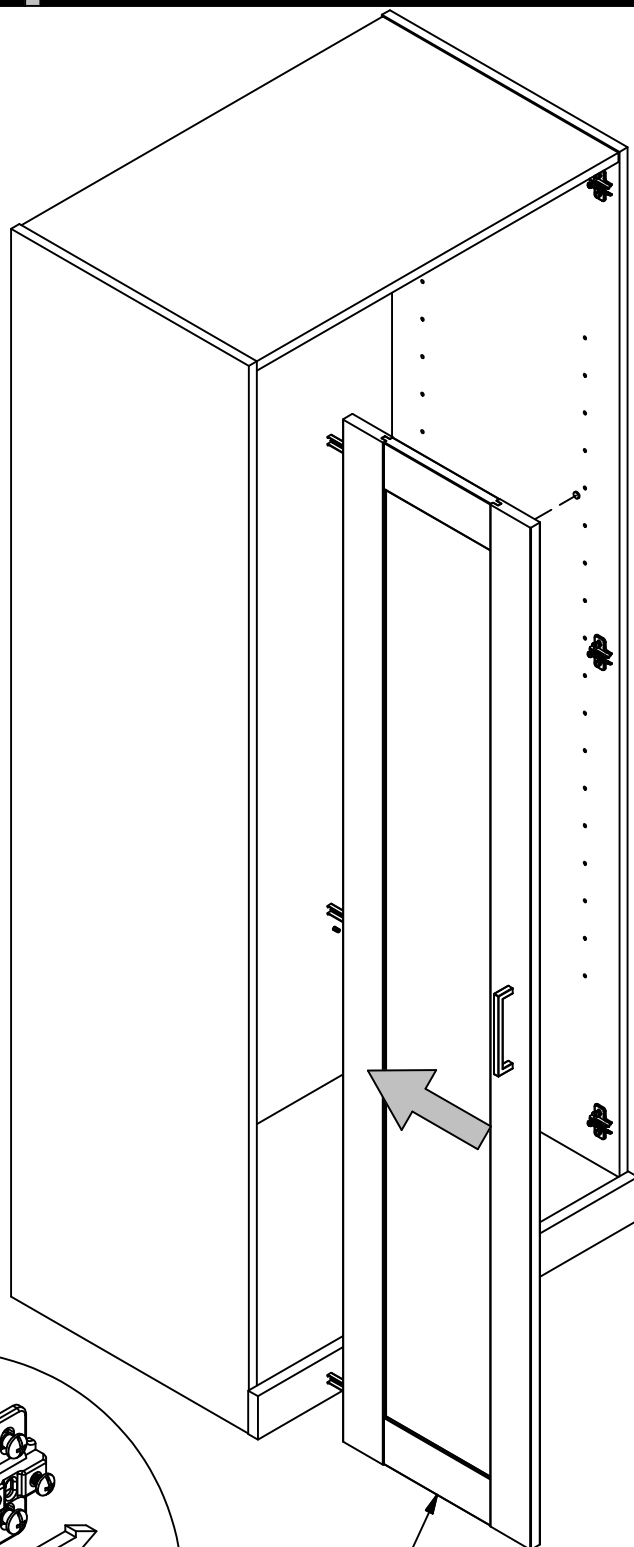


H215406



[2]

Bumper



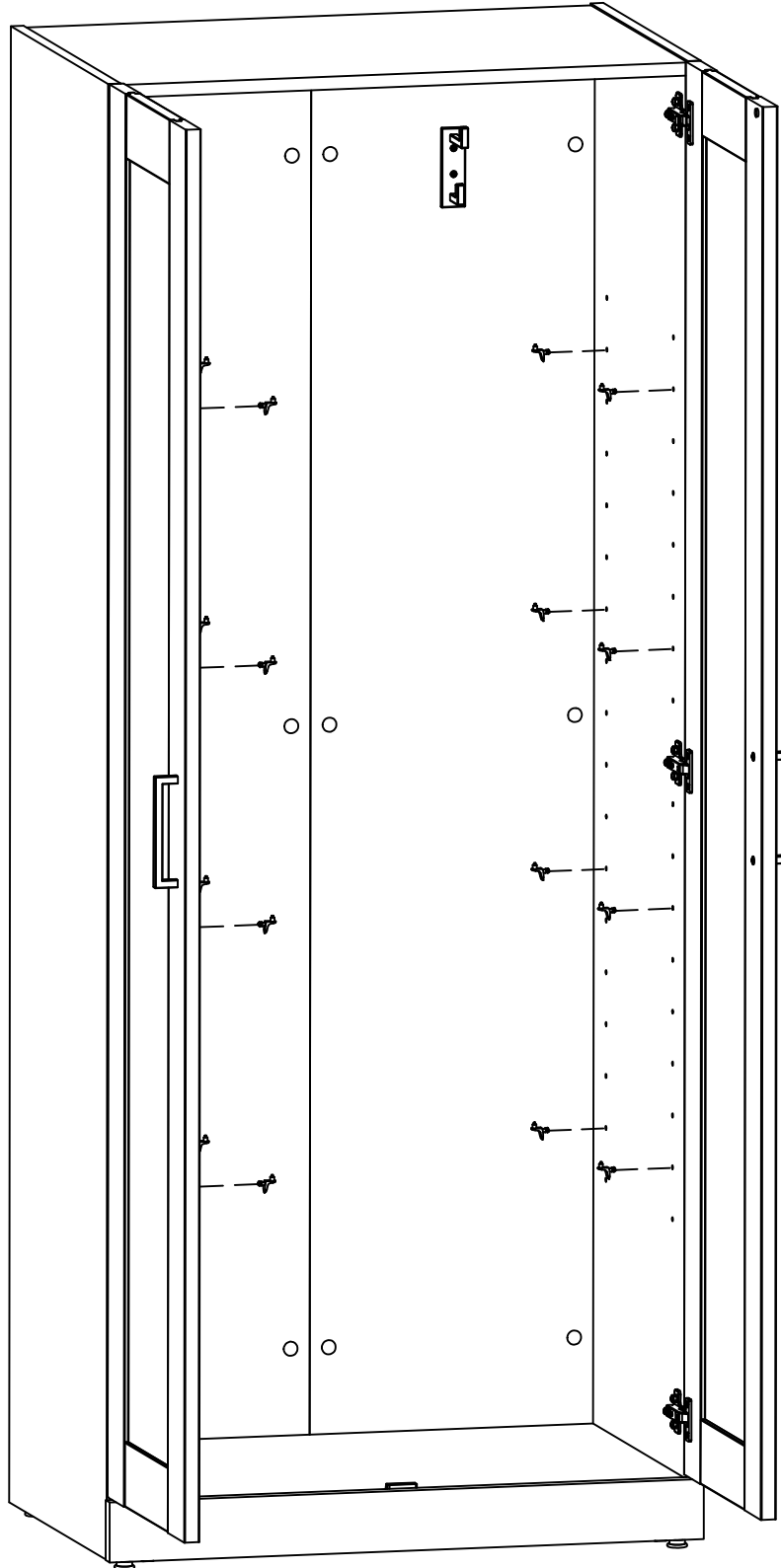
Have an assembly question or need a replacement part? Just call **1-800-950-4782**, we are here to help.

H114560

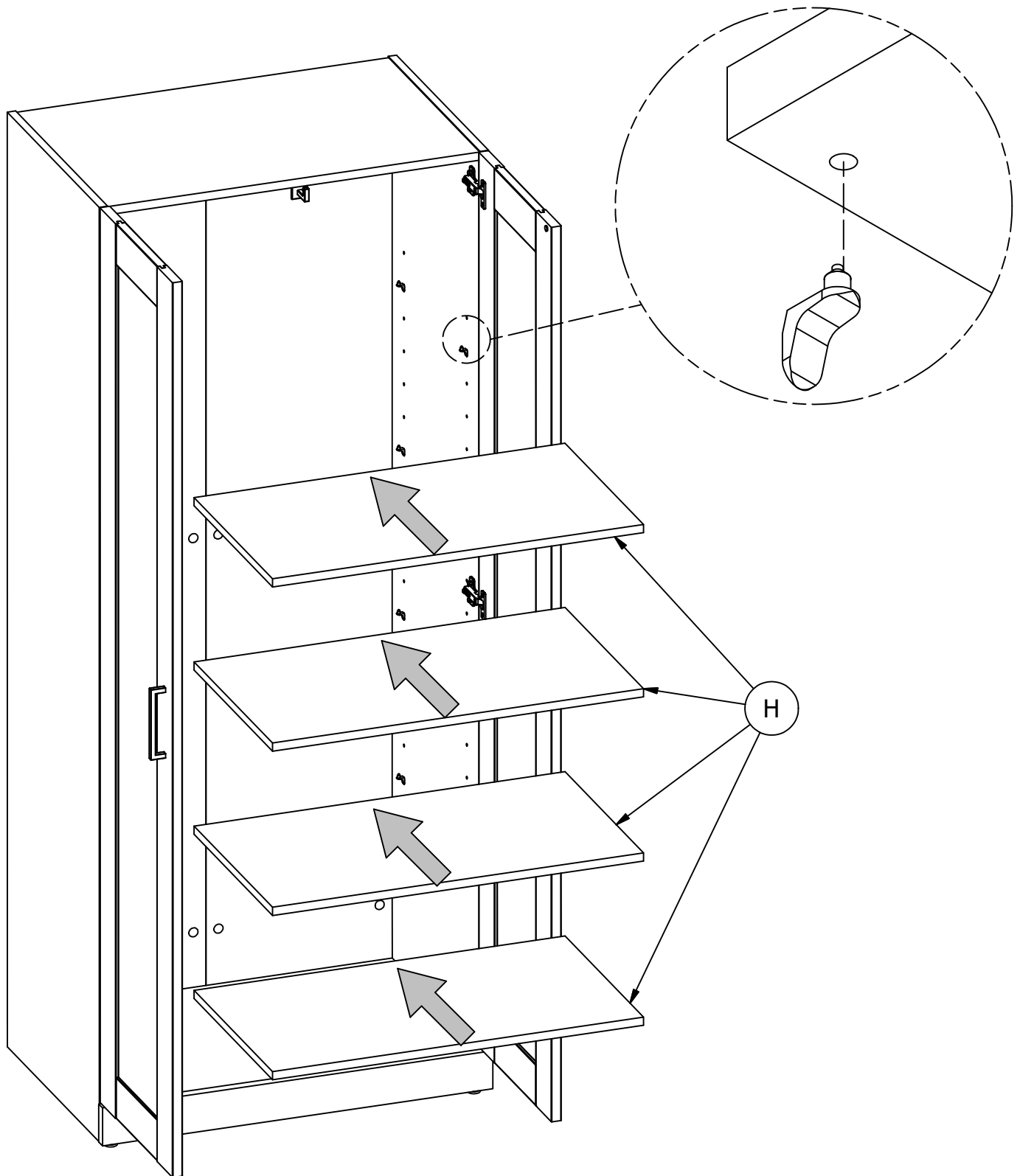


[16]

Shelf Pin



Have an assembly question or need a replacement part? Just call
1-800-950-4782, we are here to help.



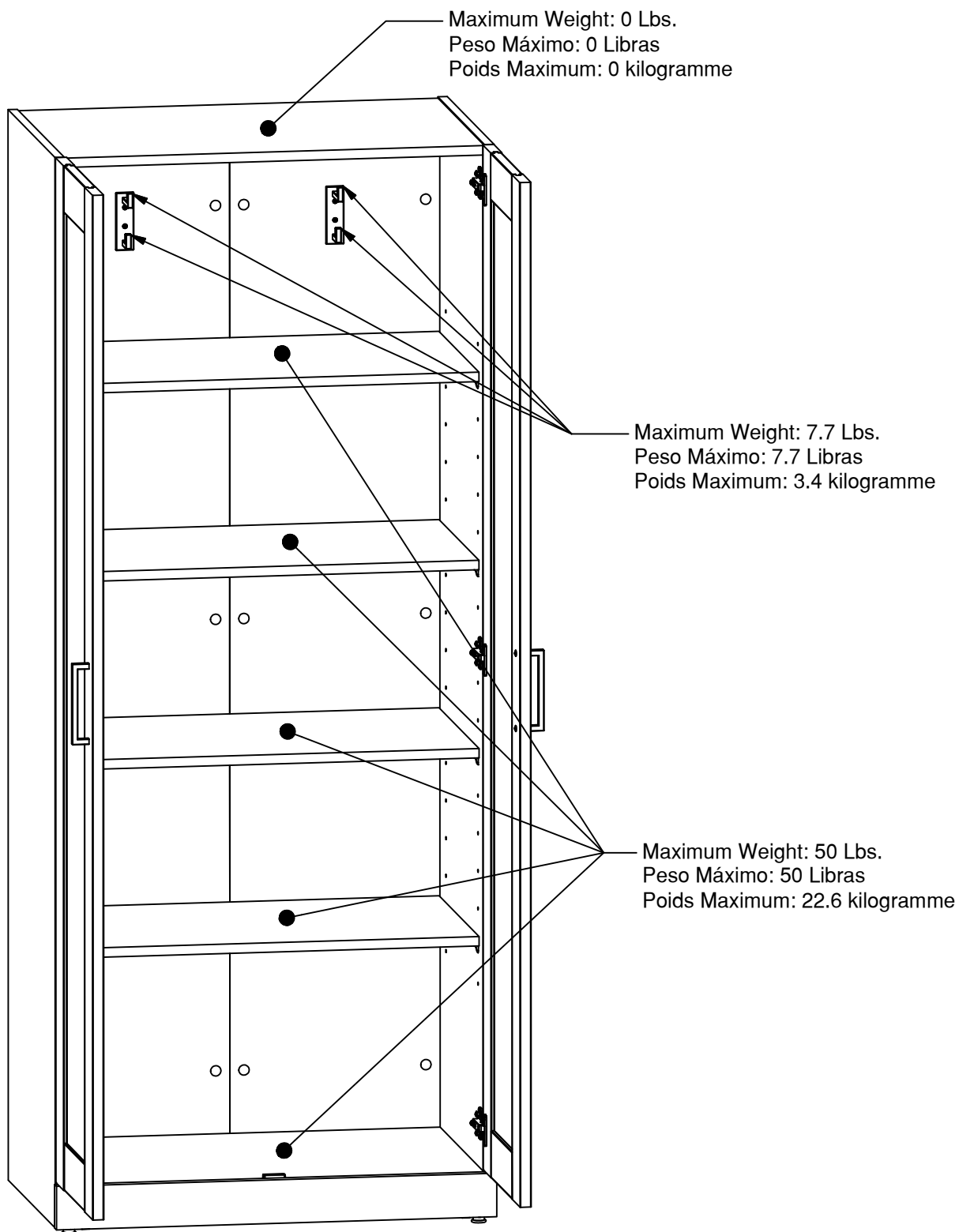
Have an assembly question or need a replacement part? Just call
1-800-950-4782, we are here to help.

Scan QR Code to Watch Video on:



How to Clean the Surface

Gently clean surfaces with a damp sponge eraser.



Maximum Weight: 0 Lbs.
Peso Máximo: 0 Libras
Poids Maximum: 0 kilogramme

Maximum Weight: 7.7 Lbs.
Peso Máximo: 7.7 Libras
Poids Maximum: 3.4 kilogramme

Maximum Weight: 50 Lbs.
Peso Máximo: 50 Libras
Poids Maximum: 22.6 kilogramme

Congratulations! You are all done. If you have any questions or concerns, please call.

Have an assembly question or need a replacement part? Just call **1-800-950-4782**, we are here to help.

HHS630WH			
LABEL	QTY	PART NUMBER	DESCRIPTION
A	1	W215891	TOP SHELF
B	1	W215892	LEFT SIDE PANEL
C	1	W215893	RIGHT SIDE PANEL
E	1	W215894	BOTTOM SHELF
F	2	W215895	Back Panel
G	1	W215896	BOTTOM RAIL
H	4	W215897	ADJUSTABLE SHELF
J	2	S215898	DOOR

H73619



Cover Cap

[18]