

HOOKER®







— FURNITURE —

ASSEMBLY INSTRUCTION

Item# 5805-75206-80 Friendship Table-Flaky White/Black

5805-75206-85 Friendship Table-Natural/Gray

** Please make sure you have all parts indicated below prior to assembly.
This table is heavy and can best be assembled with the help of two or more people

NO	HARDWARE LIST		Q'TY
A		$\frac{5}{16}$ "*40MM ALLEN BOLT	6
B		LOCK WASHER	10
C		FLAT WASHER	10
D		ALLEN WRENCH	1
E		$\frac{5}{16}$ "*25MM ALLEN BOLT	2
F		$\frac{5}{16}$ "*100MM ALLEN BOLT	2

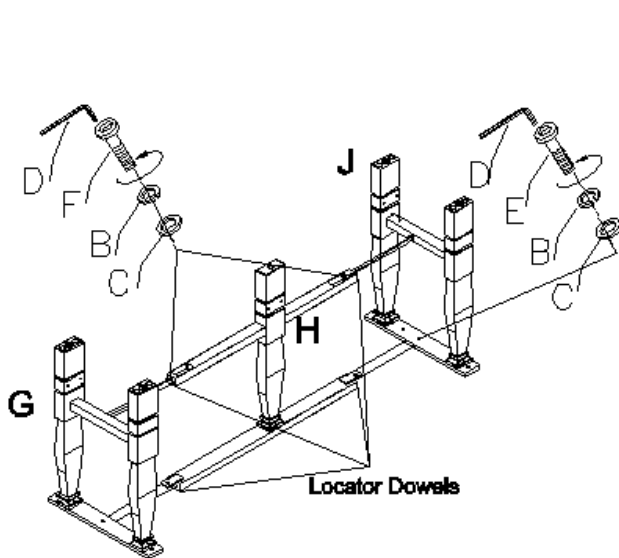
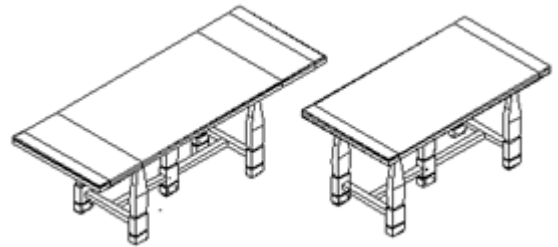


Diagram 1

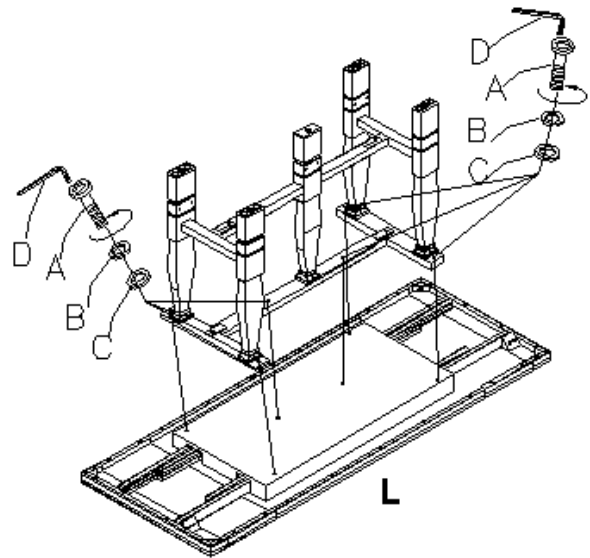


Diagram 2

Note:

1. Leaves cannot be switchable. Follow numbers on leaves and top when assemble
2. Height of this table can be adjusted with or without extension block. (30" and 36" heights)

Assembly steps –36" height:

1. Put two side frames (G & J) upside down on a soft surface to prevent it from being scratched.
2. Attach the ends of stretcher to top and center on side frames (G & J), using bolts (E), lock washers (B) and flat washers (C), tighten all bolts with allen wrench (D) to assemble the top of stretcher by first (See Diagram 1).
3. Then using bolts (F), lock washers (B) and flat washers (C), tighten all with allen wrench (D) to assemble the center of stretcher (See Diagram 1).
4. Place table top (L) upside down on a soft surface to prevent it from being scratched. Put whole base onto top to make sure all pre-drilled holes are in alignment, well insert bolts (A), lock washers (B) and flat washers (C), tighten bolts by turning with allen wrench (D) in clockwise direction (See Diagram 2).
5. Turn table upright.

Assembly steps –30" height:

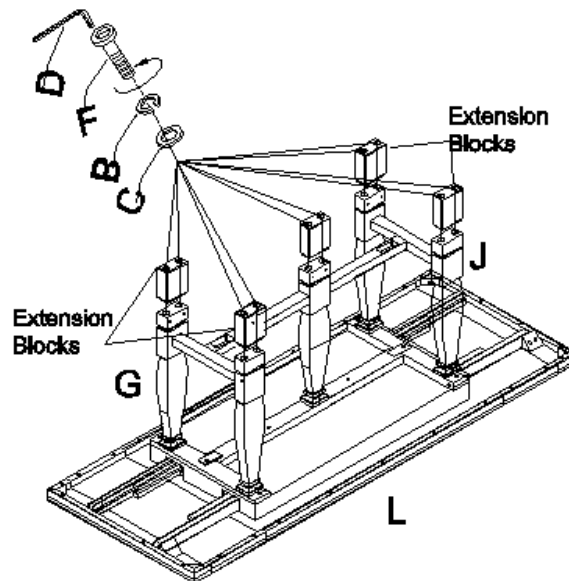


Diagram 3

1. Unscrew bolts (F), lock washers (B) and flat washers (C) on extension blocks with allen wrench (D). Then remove the extension blocks from the side frames (G & J) directly (See Diagram 3).
2. Also unscrew the adjustment levelers from the bottom on the extension blocks. Then screw them into bottom of side frames.
3. Turn table upright.

Instruction for table leaves:

1. There are latches at the bottom of table top, turn off the latches as shown in Diagram 4.
2. Pull out table top as the arrow direction shown in Diagram 5.
3. Place table leaves between and push table tops together.
4. Turn on latches. (see Diagram 4)
5. Take opposite actions to remove table leaves.

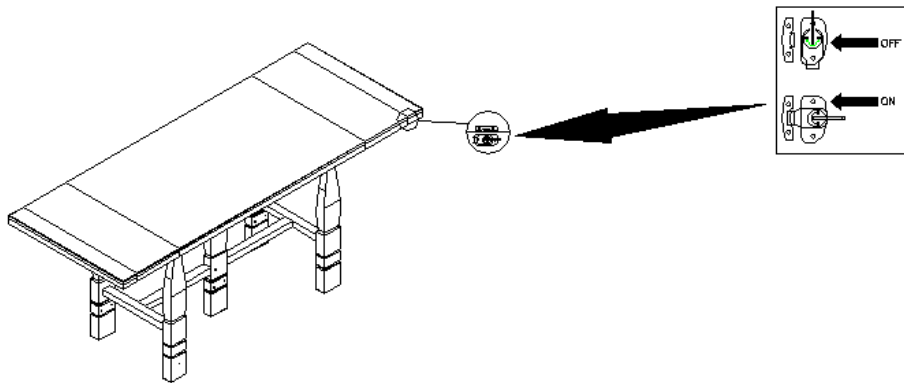


Diagram 4

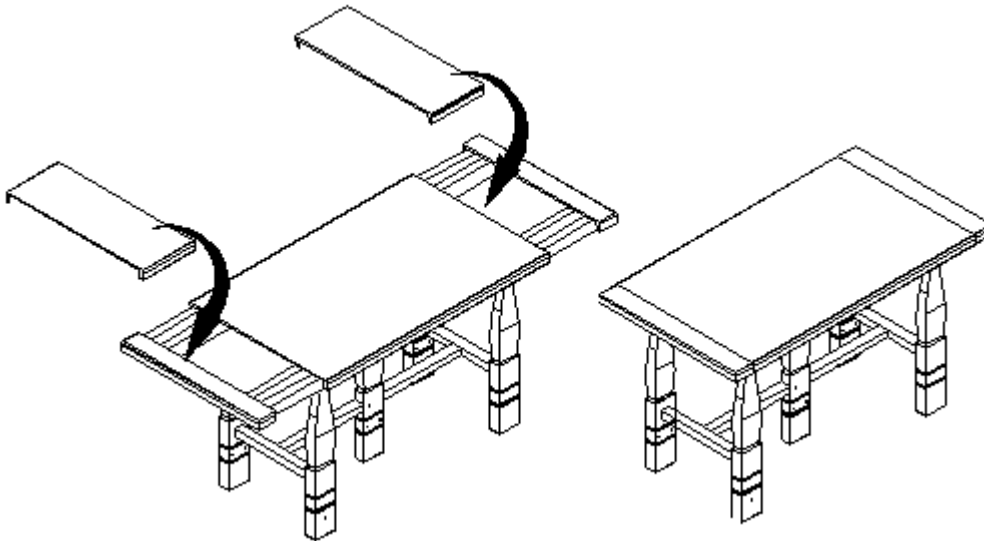


Diagram 5

Cleaning Instruction: Clean finished parts with a damp cloth using a mild dishwashing liquid and water solution. Polish the finish with soft cloth and an industry recognized furniture polish.