

# Assembly Guide



**Bush**  
FURNITURE

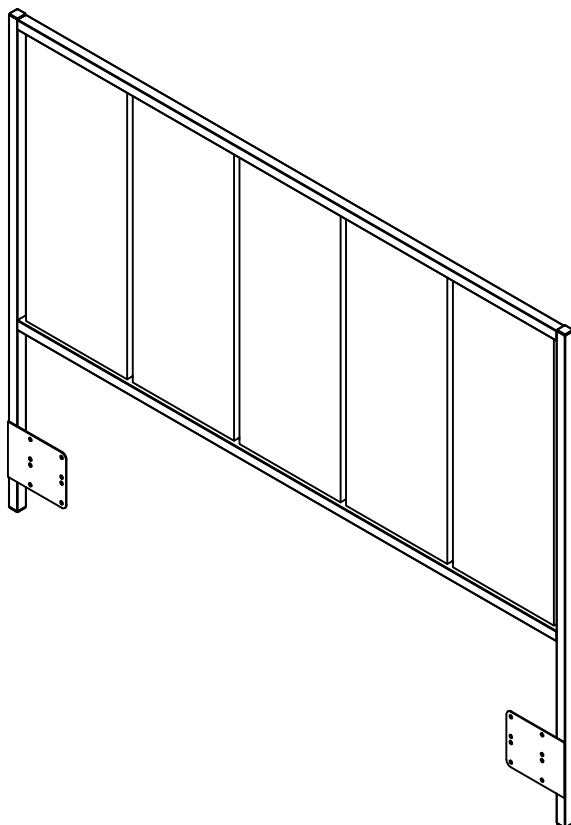


If you're having any difficulty during assembly of this product, don't hesitate to call us at **1-800-950-4782.**

Our customer service experts are trained to provide step-by-step instruction and can easily replace any missing or damaged parts.

**Representatives are available Monday-Friday from 8:30 a.m. to 7:30 p.m. (ET)**

## Full / Queen Headboard



Lot Code #

Instruction Sheet Number A191496A

Keep manual for future reference.

## For best results, keep these tips in mind:

- ① We know you want to finish this assembly as quickly as possible, but trust us: you'll have a better experience if you take it one step at a time.
- ② Give yourself some room to work near where you want the fully assembled product.
- ③ If your floor isn't carpeted, assemble this product on the empty carton to avoid scratching.
- ④ Do you have a friend who owes you a favor? Some steps may go a little easier with a second set of hands.

## DOs

- ✔ Use a #2 Phillips head screwdriver (or other handheld tools as indicated)
- ✔ Wear safety glasses at all times during assembly
- ✔ Carefully follow the instructions in this guide and complete all steps in order
- ✔ Give us a call if you're having trouble with a particularly tricky step

## DON'Ts

- ✘ We know power tools are quick and easy, but you shouldn't use them when assembling this product (unless otherwise specified)
- ✘ Never move your furniture with items inside or resting on the surface
- ✘ Do not attempt to use this product before all steps have been completed

## Watch assembly videos right on your phone or computer!



Some steps include QR codes that link to helpful videos. Watch out for the icon below! Simply open up your smartphone camera to scan the code.

*(Users of older smartphones may need to install a QR Reader.)*

**SCAN HERE**



**FOR VIDEOS**

Or visit <https://bushfurniture.com/help-faq/#assembling>



# IMPORTANT SAFETY INFORMATION



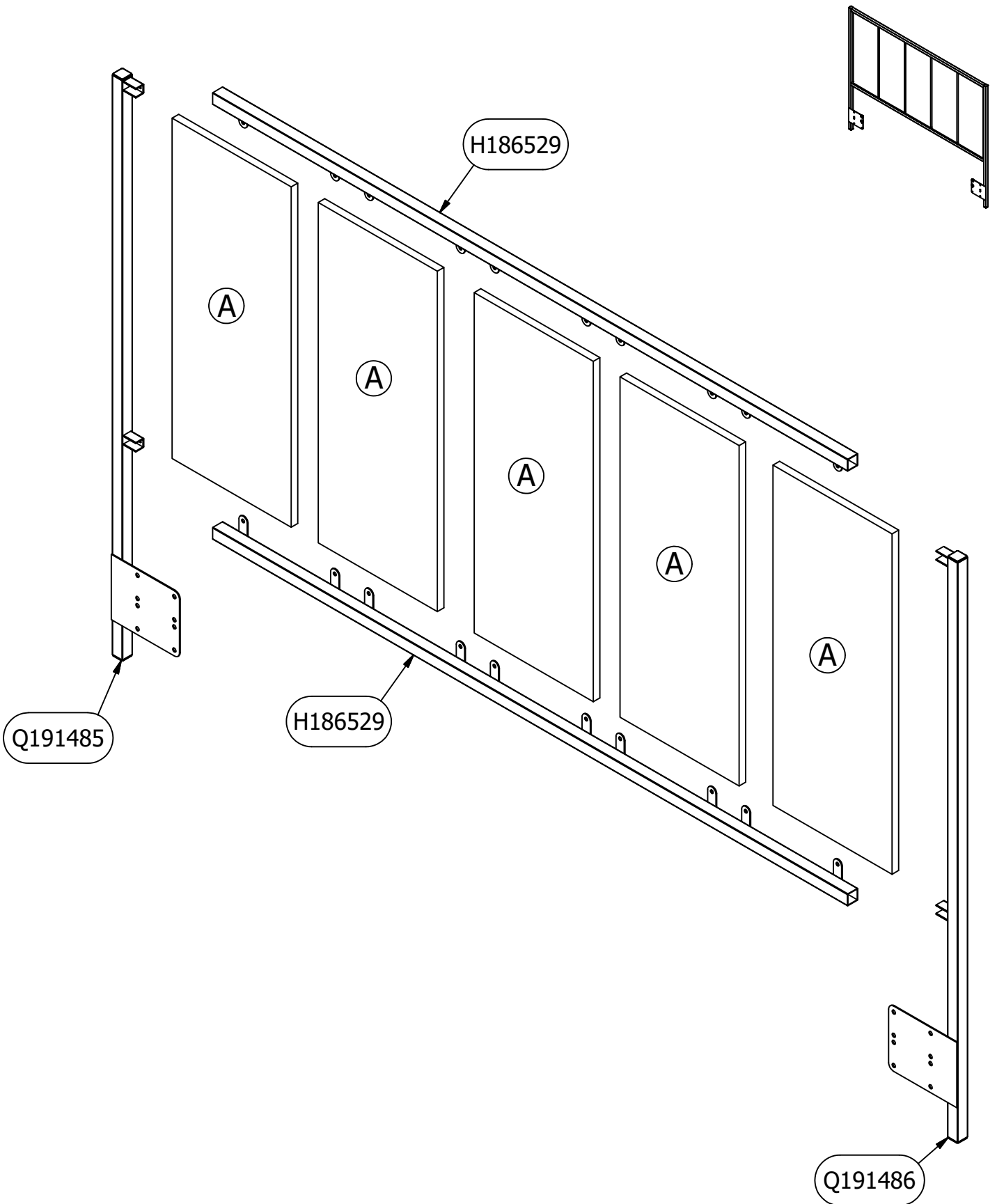
## PLEASE READ WARNINGS

Improper use can cause safety hazards, or damage to your furniture and household items.

Warning	Do	Don't	Why it's important
<b>Serious injury or death may occur.</b>	<ul style="list-style-type: none"><li>Assemble following all instructions using all indicated parts and hardware provided.</li><li>If headboard is adjustable, choose height based on your mattress such that gap between top of mattress and bottom of headboard is less than 1 inch (25mm).</li></ul>		<ul style="list-style-type: none"><li>Improper assembly, use or loading can lead to product instability, tipover, or collapse.</li><li>Failure to assemble adjustable height headboards to the proper gap (less than 1 inch or 25mm) could lead to head entrapment or strangulation in very young children.</li></ul>

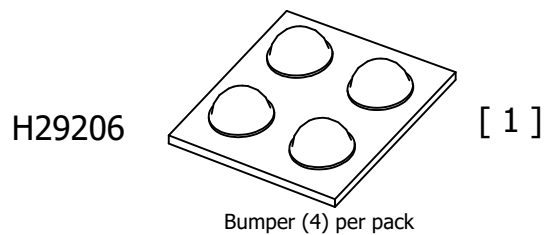
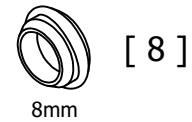
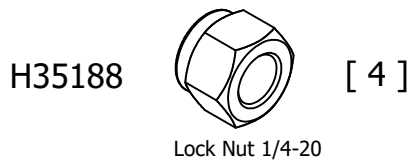
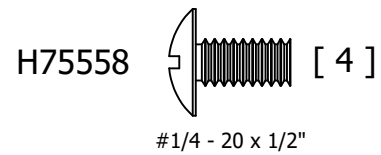
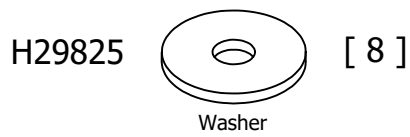
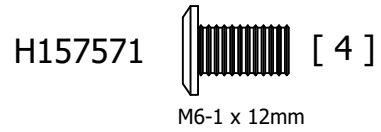
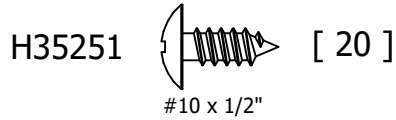
Advertencia	Hacer	No	Por qué es importante
<b>Pueden producirse lesiones graves o la muerte.</b>	<ul style="list-style-type: none"><li>Realice el montaje siguiendo todas las instrucciones y utilizando todas las piezas indicadas y los herrajes suministrados.</li><li>Si el cabecero es ajustable, elija la altura en función de su colchón, de forma que el espacio entre la parte superior del colchón y la parte inferior del cabecero sea inferior a 25 mm.</li></ul>		<ul style="list-style-type: none"><li>El montaje, uso o carga inadecuados pueden provocar inestabilidad, vuelco o colapso del producto.</li><li>Si no se montan los cabeceros de altura regulable con la separación adecuada (menos de 1 pulgada o 25 mm) podría producirse el atrapamiento o estrangulamiento de la cabeza en niños muy pequeños.</li></ul>

Avertissement	À faire	À ne pas faire	Pourquoi c'est important
<b>Peut entraîner des blessures graves ou la mort.</b>	<ul style="list-style-type: none"><li>Assembler en suivant toutes les instructions et en utilisant toutes les pièces et la quincaillerie incluses.</li><li>Si la tête de lit est réglable, choisissez la hauteur en fonction de votre matelas de manière à ce que l'écart entre le haut du matelas et le bas de la tête de lit soit inférieur à 1 po (25 mm).</li></ul>		<ul style="list-style-type: none"><li>Un assemblage, une utilisation ou un chargement incorrects peuvent entraîner l'instabilité, le basculement ou l'effondrement du produit.</li><li>Si les têtes de lit à hauteur réglable ne sont pas assemblées avec l'espacement adéquat (moins de 1 po ou 25 mm), les très jeunes enfants risquent de se coincer la tête ou de s'étrangler.</li></ul>



Have an assembly question or need a replacement part? Just call  
**1-800-950-4782**, we are here to help.

Fasteners are shown actual size.

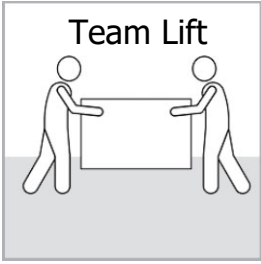


Have an assembly question or need a replacement part? Just call  
**1-800-950-4782**, we are here to help.

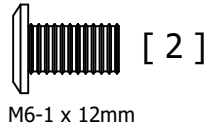
# STEP 1

# Assemble Components

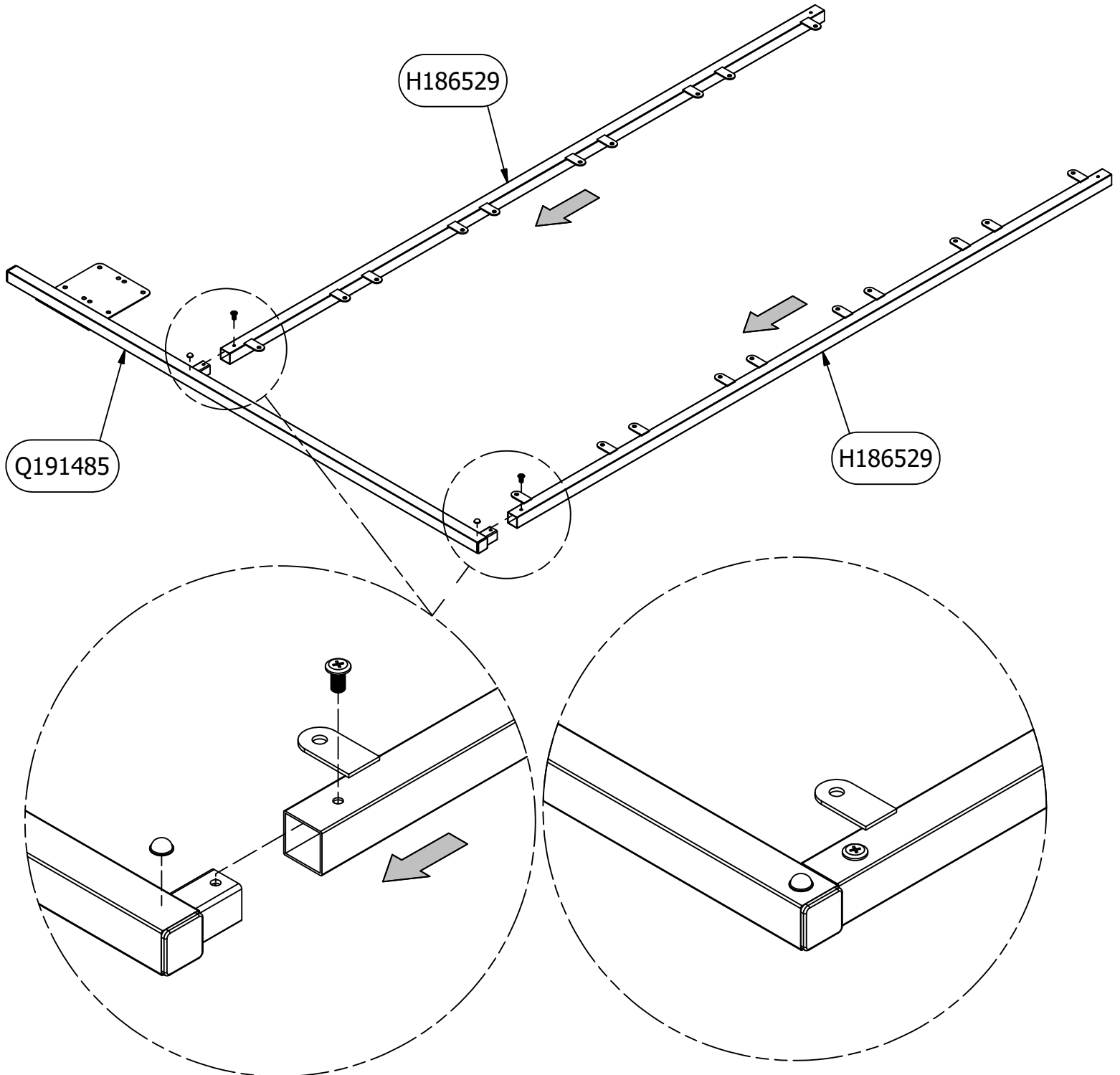
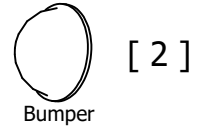
A191496A



H157571



H29206

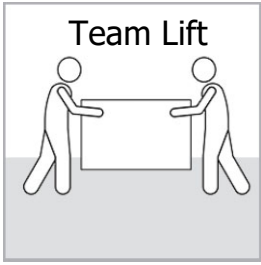


Have an assembly question or need a replacement part? Just call  
**1-800-950-4782**, we are here to help.

# STEP 2

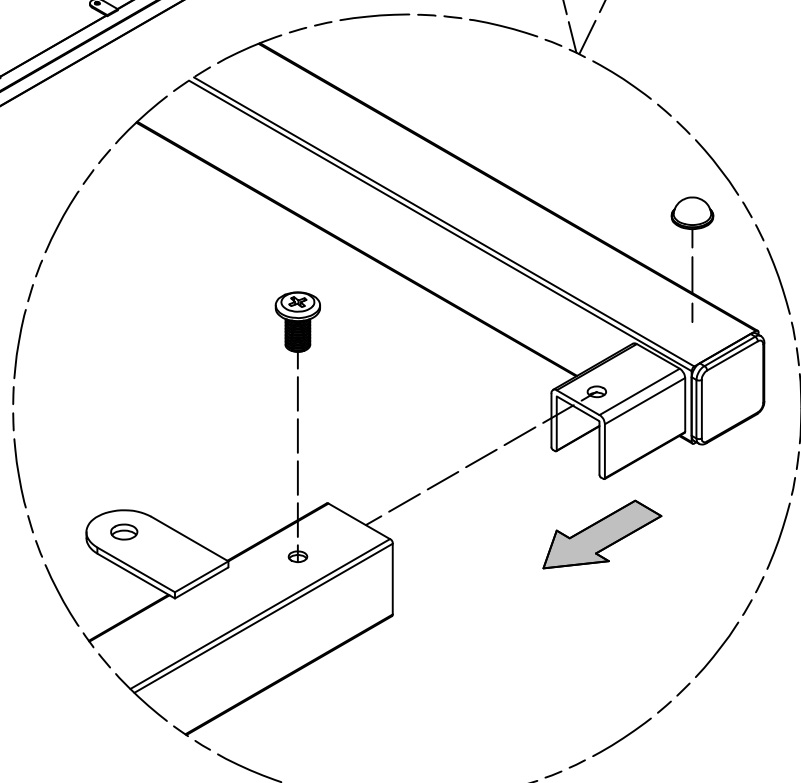
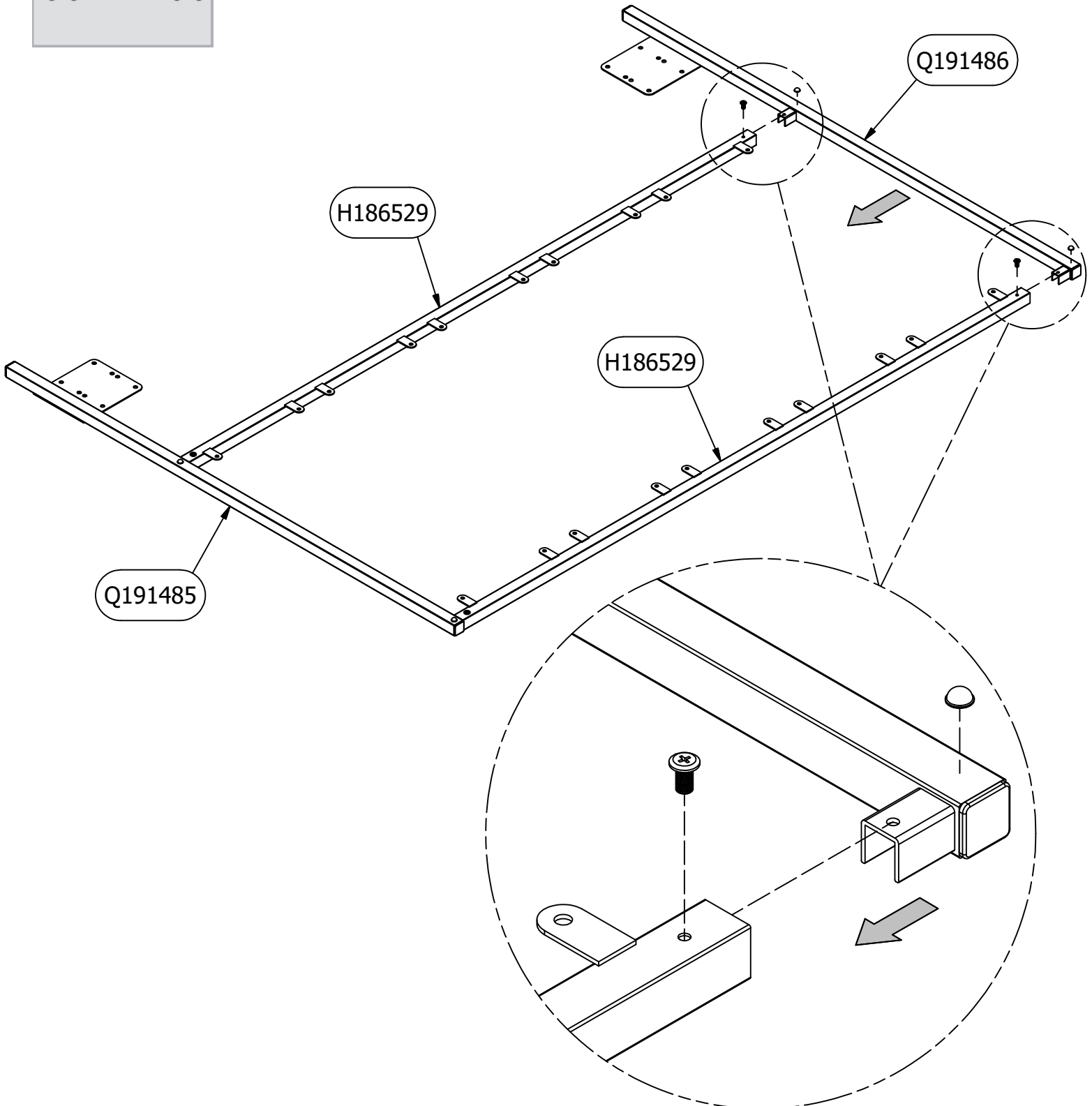
# Assemble Components

A191496A

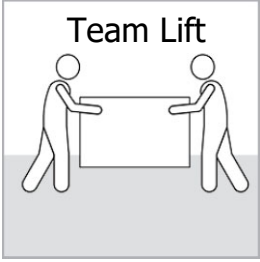


H157571 [ 2 ]  
M6-1 x 12mm

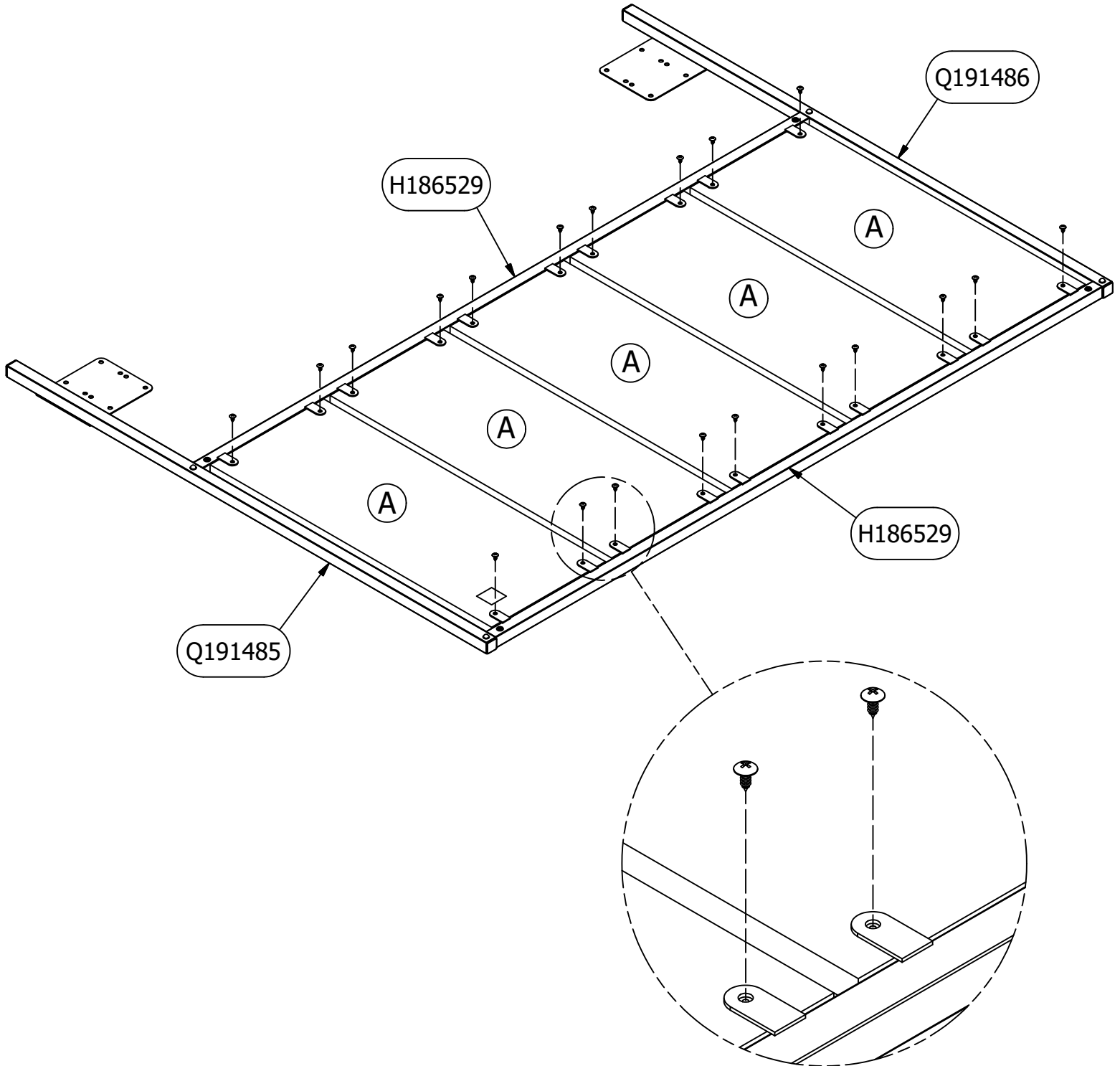
H29206 [ 2 ]  
Bumper



Have an assembly question or need a replacement part? Just call **1-800-950-4782**, we are here to help.

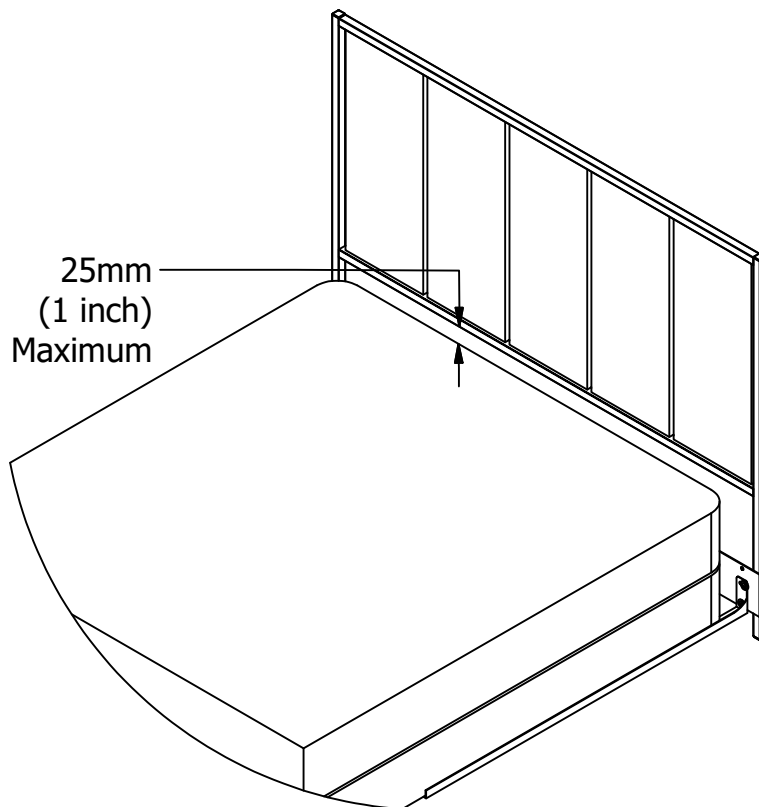


H35251 [ 20 ]  
#10 x 1/2"



Have an assembly question or need a replacement part? Just call  
**1-800-950-4782**, we are here to help.



**WARNING**

The gap between the top of the mattress and the bottom of the headboard should not be greater than 1 inch. A larger gap could lead to head entrapment or strangulation for very young children, causing serious injury or death.

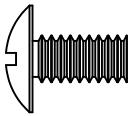
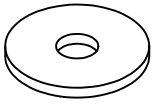
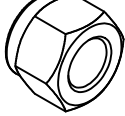

El espacio entre la parte superior del colchón y la parte inferior de la cabecera no debe ser mayor de 1 pulgada. Un espacio más grande podría provocar que los niños muy pequeños queden atrapados en la cabeza o estrangularlos, causando lesiones graves o la muerte.

L'écart entre le haut du matelas et le bas de la tête de lit ne doit pas être supérieur à 1 pouce. Un écart plus grand pourrait entraîner un piégeage de la tête ou une strangulation chez les très jeunes enfants, entraînant des blessures graves ou la mort.

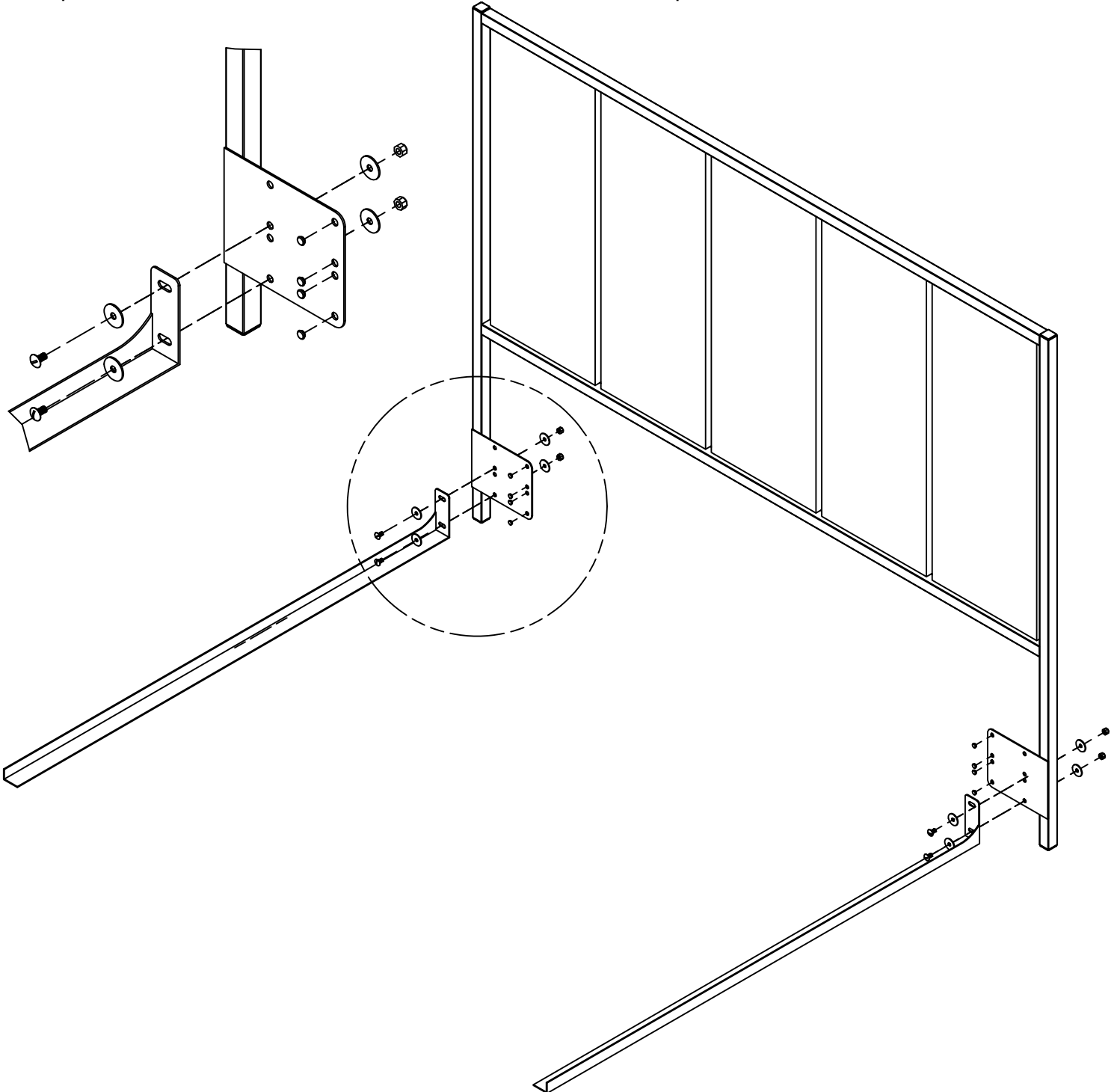
# STEP 5

# Assemble Components

A191496A

- H75558 [ 4 ]  #1/4 - 20 x 1/2"
- H29825 [ 8 ]  Washer
- H35188 [ 4 ]  Lock Nut 1/4-20
- [ 8 ]  8mm

Refer to bed frame manufacturer's instructions for attaching bed frame to headboard.  
Consulte las instrucciones del fabricante del marco de cama para sujetar el marco de la cama a la cabecera.  
Reportez-vous aux instructions du fabricant du cadre du lit pour fixer le cadre du lit à la tête de lit.



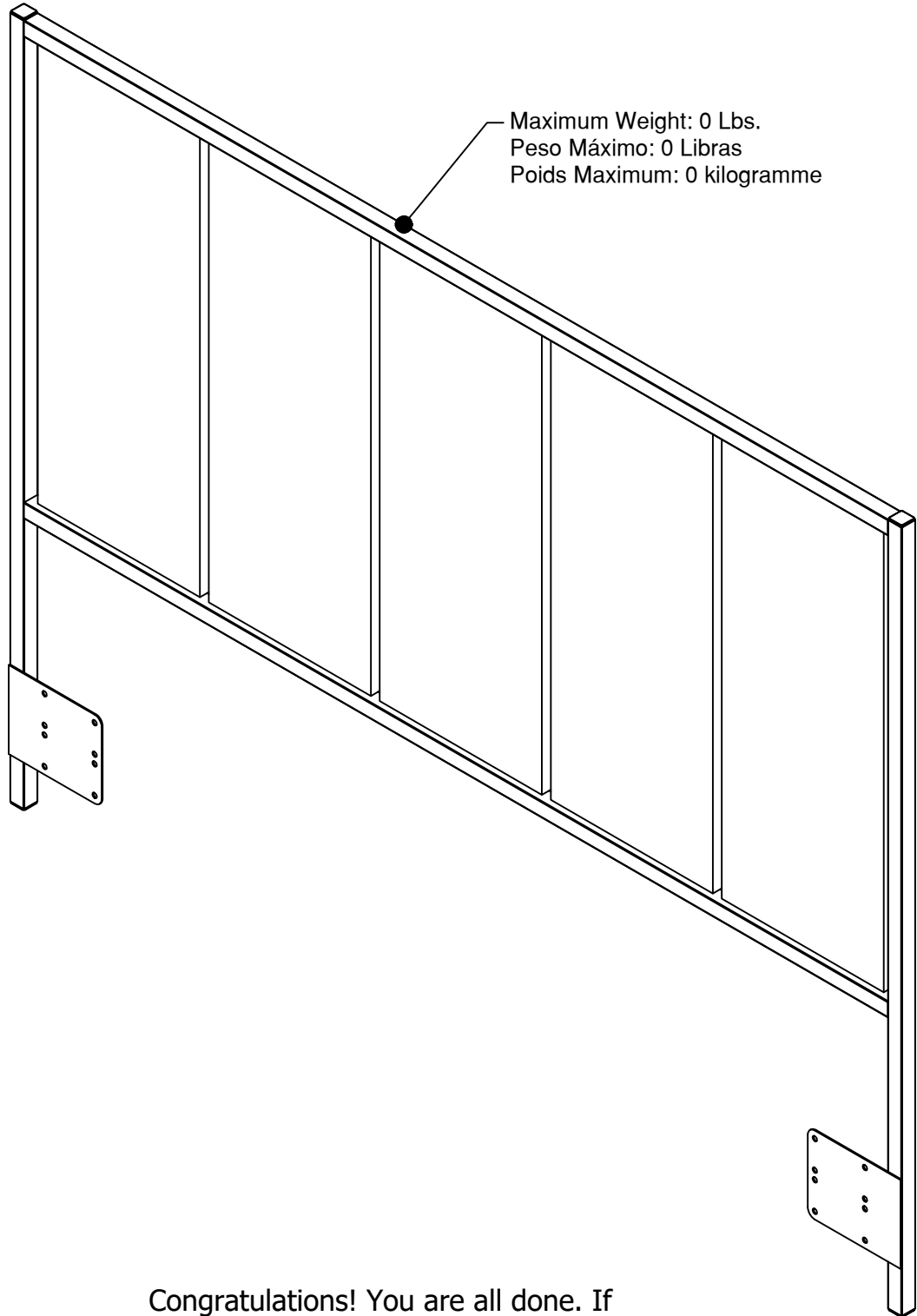
Have an assembly question or need a replacement part? Just call **1-800-950-4782**, we are here to help.

Scan QR Code to Watch Video on:



How to Clean the Surface


Gently clean surfaces with a damp sponge eraser.




Congratulations! You are all done. If you have any questions or concerns, please call.

Have an assembly question or need a replacement part? Just call **1-800-950-4782**, we are here to help.


ARQ165CR			
Label	Qty.	Part Number	Description
A	5	W186666	HEADBOARD PANEL
Q191485	1	Q191485	LEFT LEG ASSEMBLY
Q191486	1	Q191486	RIGHT LEG ASSEMBLY
H186529	2	H186529	HORIZONTAL BAR

H171233  [ 8 ]  
8mm

ARQ165MH			
Label	Qty.	Part Number	Description
A	5	W206553	HEADBOARD PANEL
Q191485	1	Q191485	LEFT LEG ASSEMBLY
Q191486	1	Q191486	RIGHT LEG ASSEMBLY
H186529	2	H186529	HORIZONTAL BAR

H192602  [ 8 ]  
8mm

ARQ165PG			
Label	Qty.	Part Number	Description
A	5	W206554	HEADBOARD PANEL
Q191485	1	Q191485	LEFT LEG ASSEMBLY
Q191486	1	Q191486	RIGHT LEG ASSEMBLY
H186529	2	H186529	HORIZONTAL BAR

H192602  [ 8 ]  
8mm

Have an assembly question or need a replacement part? Just call  
**1-800-950-4782**, we are here to help.