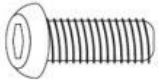


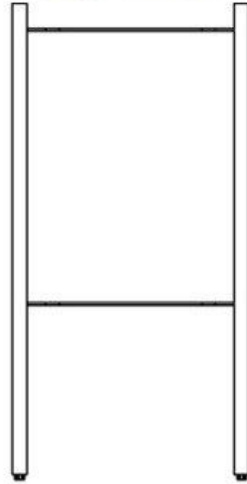


# Assembly Instructions : Abcott Mango Wood / Marble Side Table

	Allen Screws 12 pcs + 2 Pcs Extra
	Washers 12 pcs + 2 Pcs Extra
	Allen Key – 1 Pc

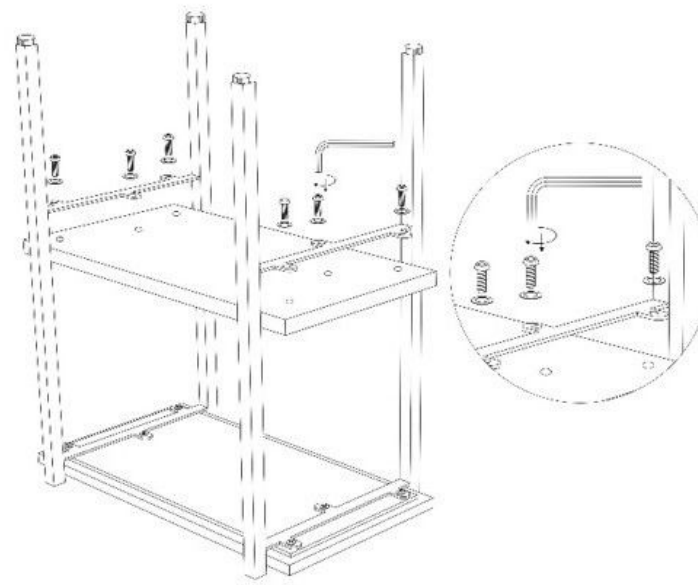
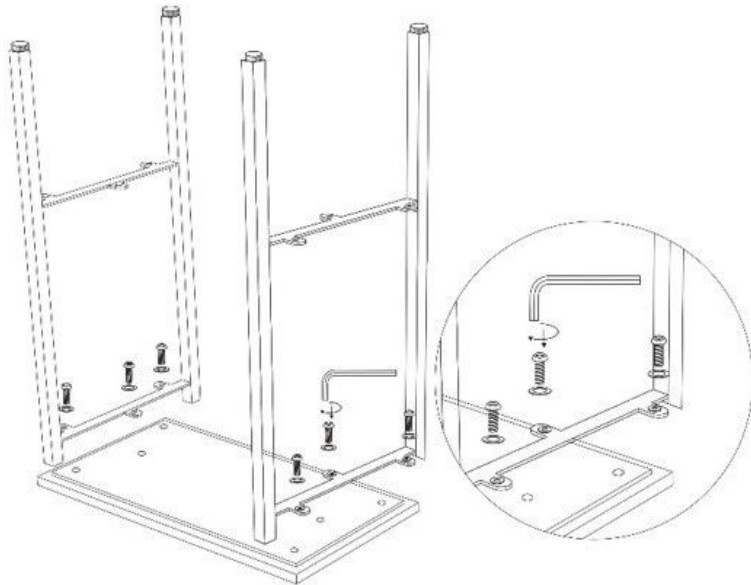
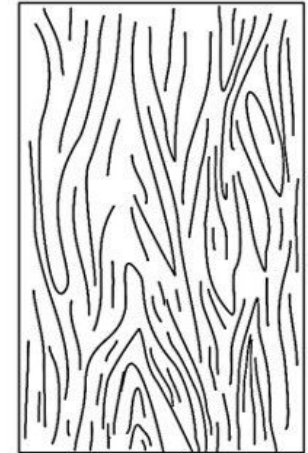
Legs – 2 Pcs



Marble Top Shelf – 1 Pc



Wood Shelf – 1 Pc



**Step 1:** Please place the marble top on a protective surface to avoid scuffing. Align the legs with marble and secure with the help of Allen screws, as shown. Note: Fasten the screws partially.

**Step 2:** After securing the marble top, secure the wood shelf with the help of Allen screws, as shown. Note: Now fully fasten all screws to hold marble top and wood shelf together properly.

**Step 3:** Table is now assembled. Please adjust the levelers, if needed, for better balance.