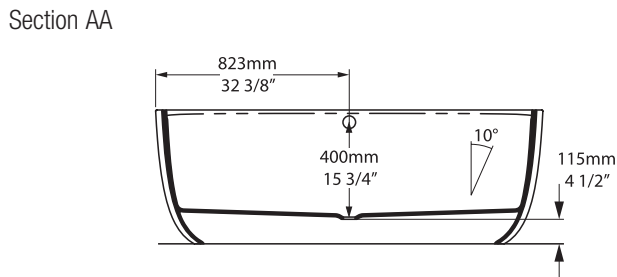
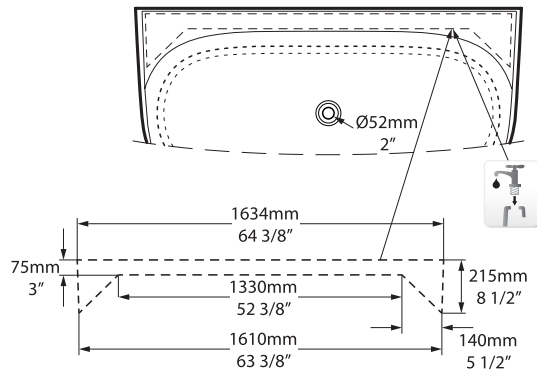
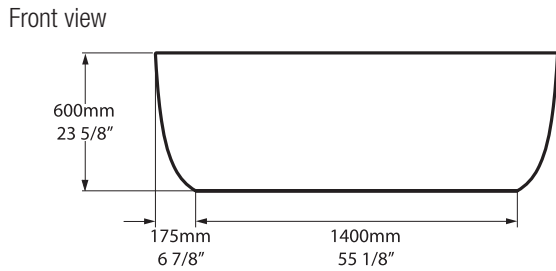
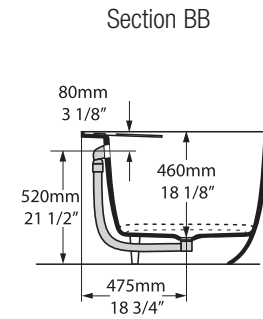
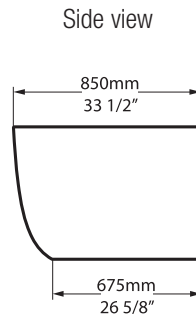
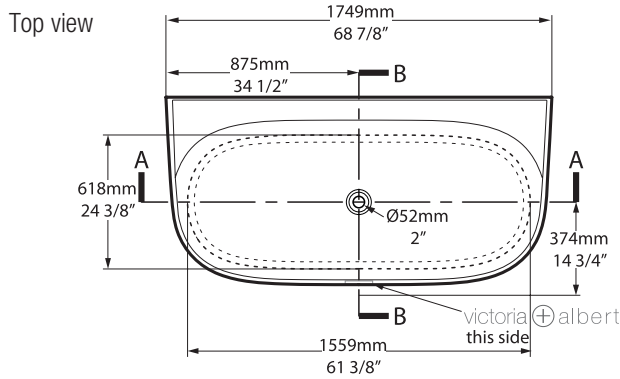
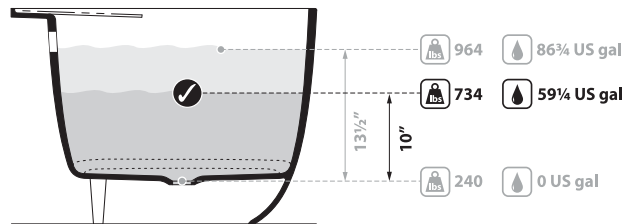


Eldon Freestanding Bathtub

ELD-N-SW-NO / ELD-N-SW-OF



Faucet holes can be drilled by installer
 Les trous de robinetterie peuvent être percés par l'installateur
 Pueden ser perforados por el instalador



BV-21_0036

Recommended drains: K-40E-xx / K-70-xx / K-61-xx

Drain Void: Features a void space underneath the bathtub for drain plumbing.

US Customers

U.S.A.
 HOUSEOFROHL.COM
 1-800-777-9762

QUEBEC / MARITIMES / WESTERN CANADA
 QUÉBEC / MARITIMES / QUÉST CANADIEN
 QUEBEC / MARITIMOS / CANADA OCCIDENTAL
 HOUSEOFROHL.CA
 1-866-473-8442

Canadian Customers

ONTARIO
 HOUSEOFROHL.CA
 1-800-287-5354