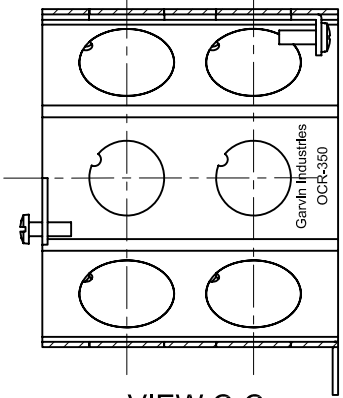
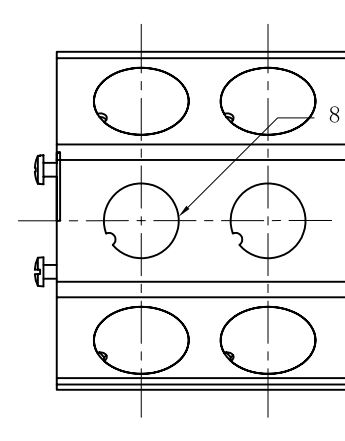
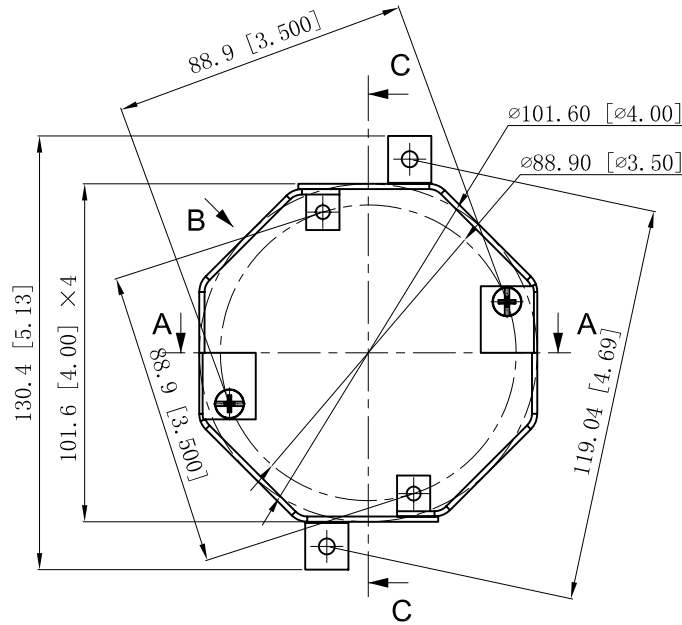


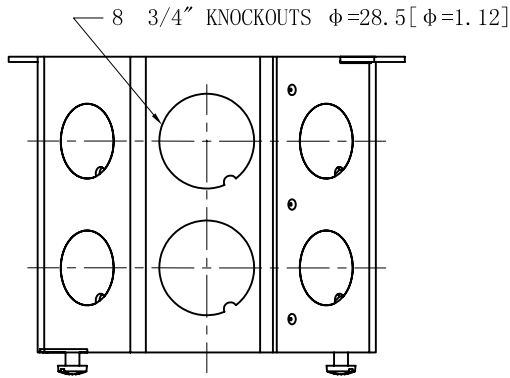
<b>SIDES</b>	<b>BOTTOM</b>
8 1/2" KNOCKOUTS	
8 3/4" KNOCKOUTS	
4 PCS 8-32×1/2 Screws Installed	
Material: Steel-0.0625"-G60 Galvanized	



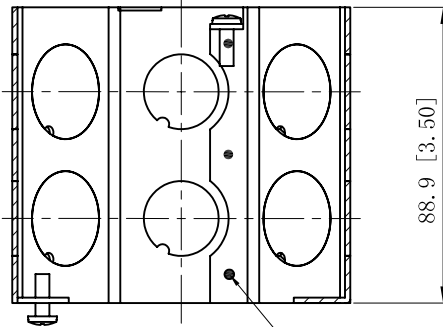
VIEW C-C



8 1/2" KNOCKOUTS  $\phi=22.5 [\phi=0.89]$

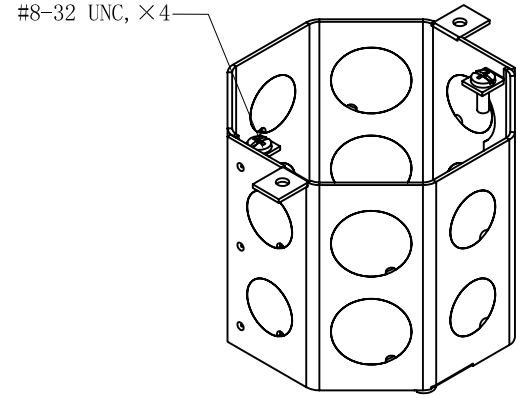


VIEW B



VIEW A-A

6 PLACES SPOT WELDING



#8-32 UNC, ×4

This data sheet is for reference only .GARVIN INDUSTRIES reserves the right to make changes to the design without prior notice.

DESCRIPTION
TRADE REFERENCE TERMS

STANDARD PACKING
20 PCS

<b>GARVIN INDUSTRIES</b>		
TITLE OCTAGON CONCRETE RINGS		
SIZE A4	DWG NO. OCR-350	REV B
DATA SHEET		