

**Ecostat Classic**  
**Pressure Balance Trim with Diverter, Round**  
 Finishes : **rubbed bronze** Part no. : **04449920**



**Description**

**Features**

- Outlets may be operated simultaneously
- Flow: 4.5 GPM (17 L/Min)
- Temperature and on/off control for 2 outlets

**Item details**

List Price \$ 441.00

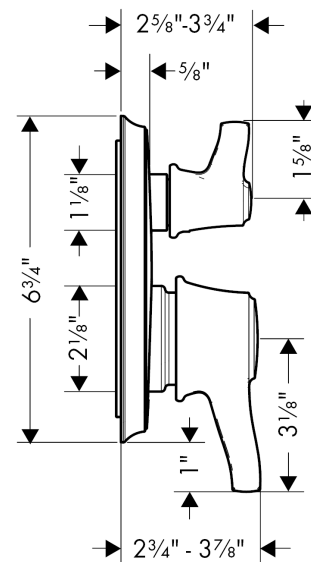
**Compliance**



**Product image**



**Scale drawing**

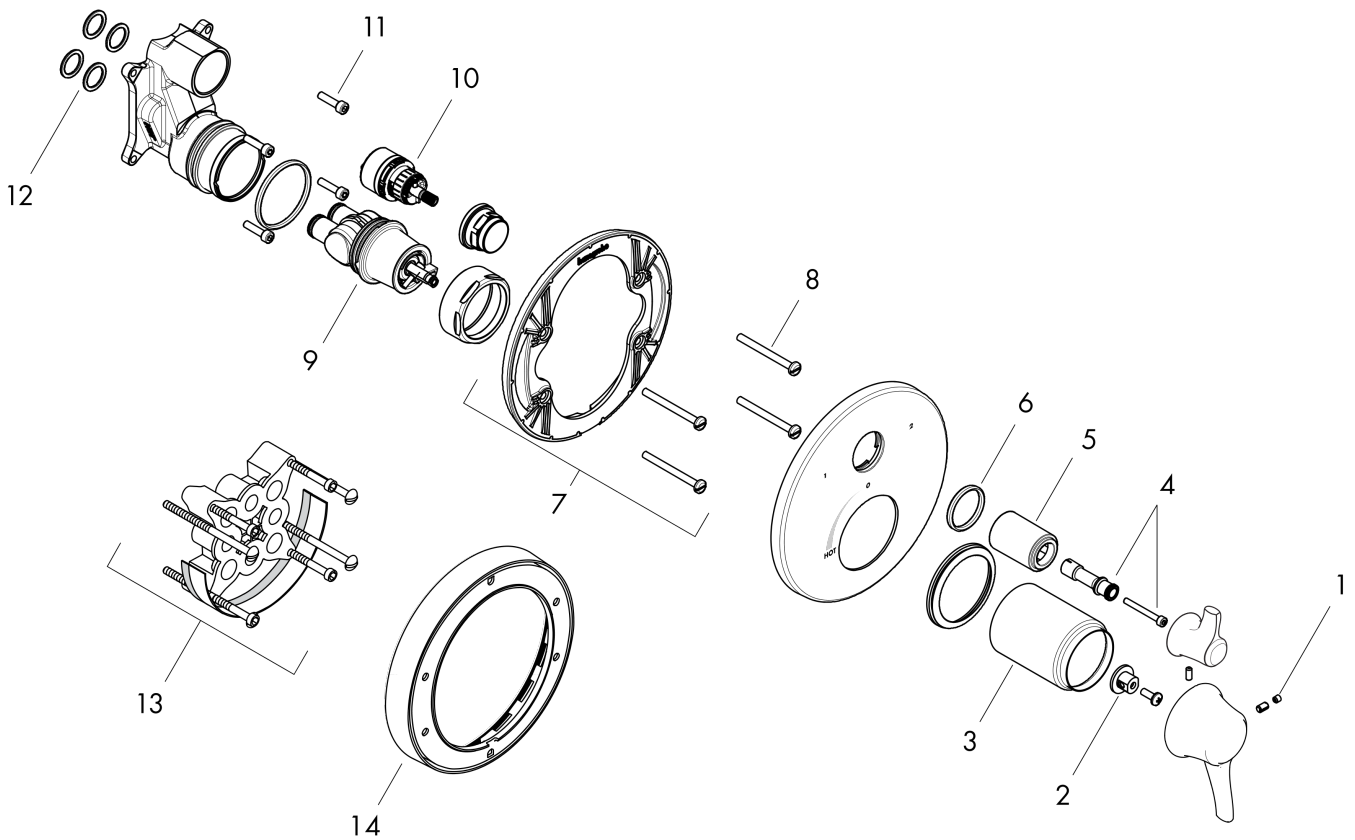


**Ecostat Classic**  
**Pressure Balance Trim with Diverter, Round**  
 Finishes : **rubbed bronze** Part no. : **04449920**



Exploded drawing

Year of production: >01/13



**Ecostat Classic**  
**Pressure Balance Trim with Diverter, Round**  
 Finishes : **rubbed bronze** Part no. : **04449920**



### Spare parts list

Year of production: >01/13

Pos.	Description	Part no.	Price	PU
1	screw cover	95181000	-	1
2	adapter for handle	92756000	-	1
3	sleeve	88765000	-	1
4	adapter for handle	88772000	-	1
5	sleeve	95253920	-	1
6	O-ring 29x3	98371000	-	1
7	O-ring 16x2	98133000	-	1
8	set of screws	96525000	-	1
9	shut off unit with selector	98283000	-	1
10	cartridge, assy	88727000	-	1
11	holder for escutcheon	98793000	-	1
12	set of fixing screws	96454000	-	1
13	extension 25 mm	13595000	-	1
14	extension 22 mm (Ø 170 mm)	13596920	-	1
a	base body	01850181	-	1