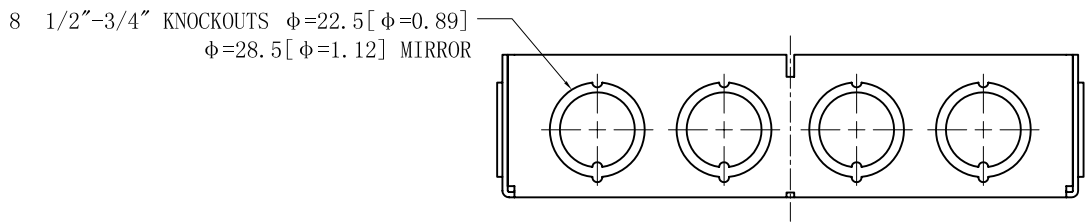
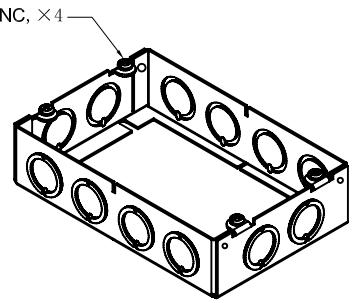
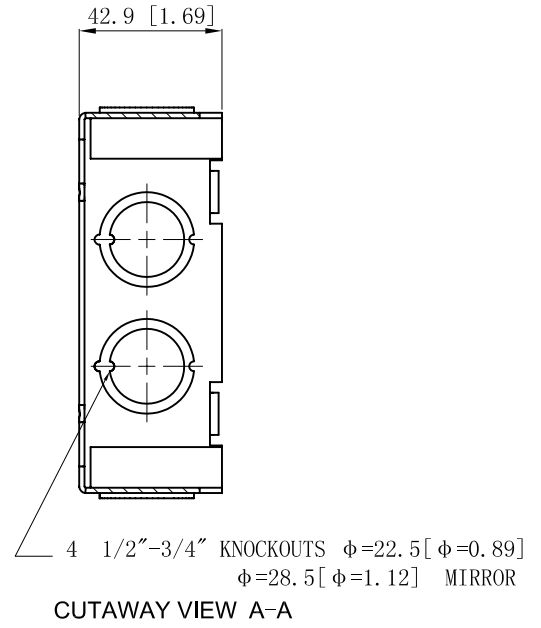
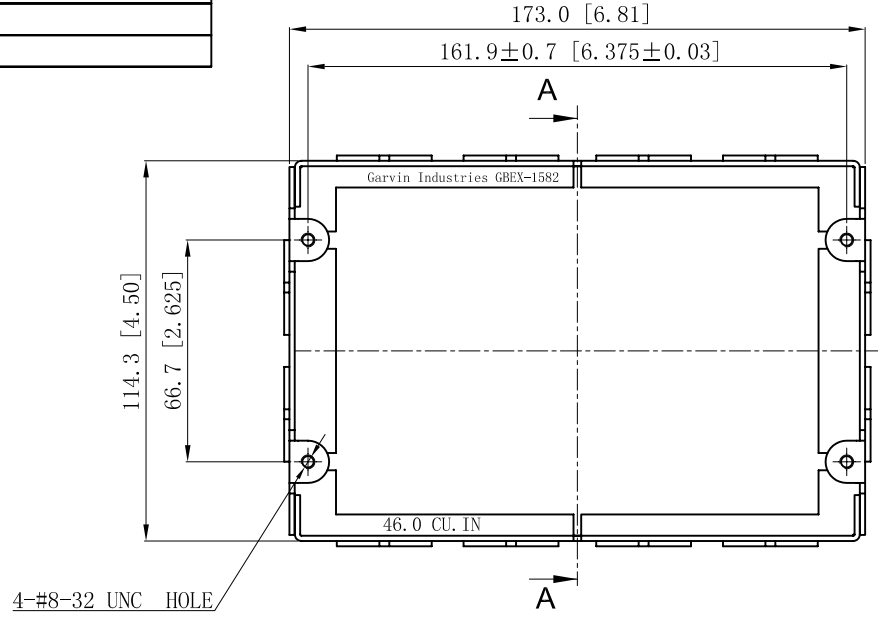


SIDES	BOTTOM
12 1/2"-3/4" MOON KNOCKOUTS	
4 PCS 8-32X1/2 Screws Installed	
Material:Steel-0.0625"-660 Galvanized	



This data sheet is for reference only .GARVIN INDUSTRIES reserves the right to make changes to the design without prior notice.

DESCRIPTION
TRADE REFERENCE TERMS

STANDARD PACKING
25 PCS

GARVIN INDUSTRIES		
TITLE 1-5/8" DEEP MULTI-GANG BOX EXTENSION RINGS		
SIZE A4	DWG NO. GBEC-1582	REV A
DATA SHEET		