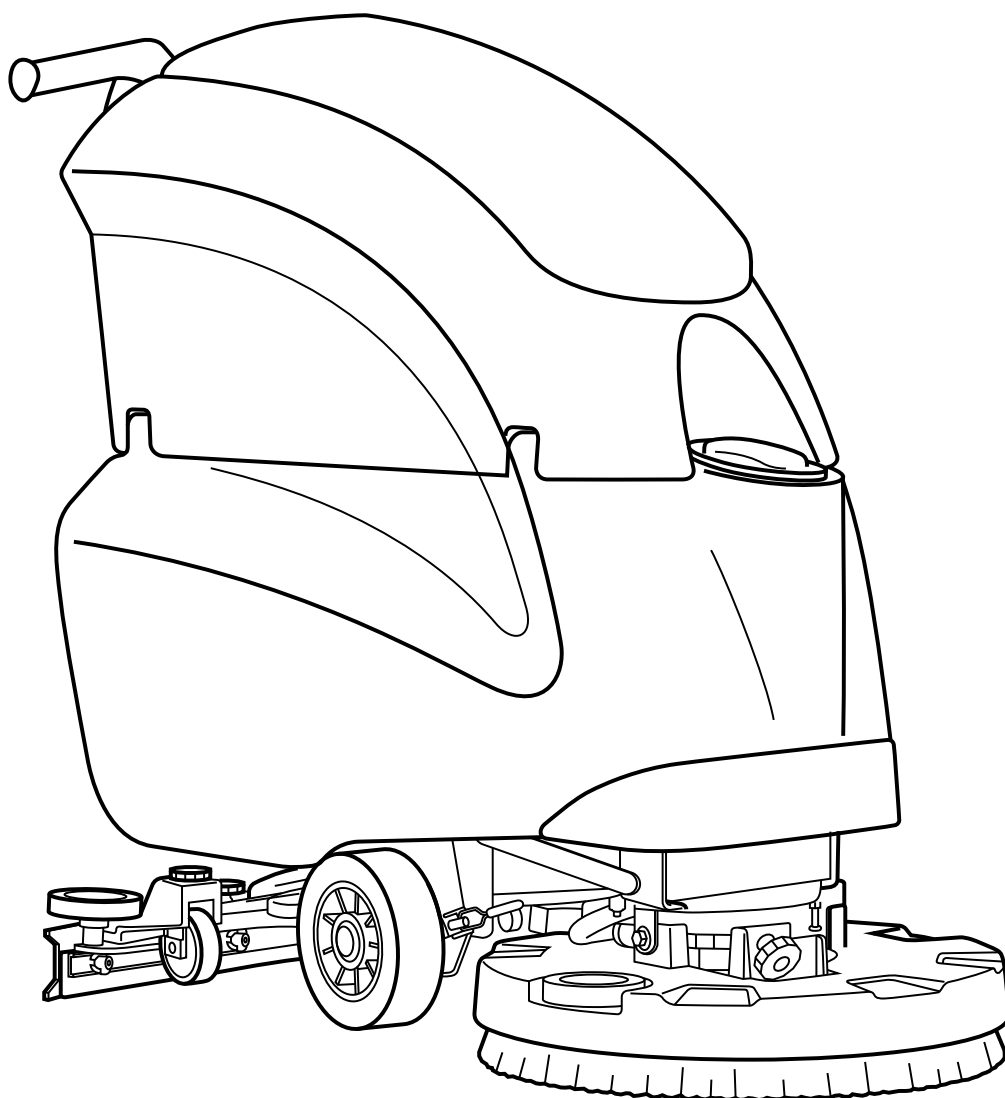


202T



Scrubbing machines
Autolaveuses de Sol
Fregadora de Pavimentos

ENG SPARE PARTS CATALOGUE
FRA CATALOGUE DE PIECES DETACHEES
ESP CATALOGO PIEZAS DE REPUESTO

HILLYARD


SENTRY™

SUMMARY

SUMMARY	3
BRUSH BASE ASSEMBLY (WORKING WIDTH 20in RAL 7001)	4
<i>BRUSHES BASE PREASSEMBLY (WORKING WIDTH 20in RAL 7001)</i>	6
GROUP BASE CONTROL AND FRAME UNIT (VER. 1SP BT)	10
COMPLETE SQUEEGEE GROUP L=27,5in	14
SQUEEGEE CONTROL ASSEMBLY	16
SOLUTION TANK ASSEMBLY (VER. RAL7016)	20
RECOVERY TANK ASSEMBLY (VER. RAL7016)	24
SUCTION MOTOR ASSEMBLY 24V 410W H1200 2ST PERIF. (VER. RAL7016)	26
WATER UNIT	28
ELECTRIC COMPONENTS ASSEMBLY (WITH TRACTION)	30
BATTERY CHARGER PRE-ASSEMBLY (VER. NE286 24V 11A)	34
GROUP DECAL	36

SOMMAIRE

SOMMAIRE	3
GROUPE DE PLATEAU DES BROSSES (LARGEUR DE TRAVAIL 20in RAL 7001)	4
<i>PRÉMONTAGE PLATEAU DES BROSSES (LARGEUR DE TRAVAIL 20in RAL 7001)</i>	6
GROUP COMMANDE DE BASE ET DE CADRE (VER. 1SP BT)	10
GROUPE DE SUCEUR COMPLETE L=27,5in	14
GROUPE COMMANDE DE SUCEUR	16
GROUPE DE RESERVOIRE EAU PROPRE (VER. RAL7016)	20
GROUPE DE RESERVOIRE EAU SALE (VER. RAL7016)	24
GROUPE MOTEUR DASPIRATION 24V 410W H1200 2ST PERIF. (VER. RAL7016)	26
GROUPE HIDRIQUE	28
GROUPE COMPOSANTS ELECTRIQUES (AVEC TRACTION)	30
PRÉ-ASSEMBLAGE DU CHARGEUR DE BATTERIE (VER. NE286 24V 11A)	34
GROUPES DE ETIQUETTE	36

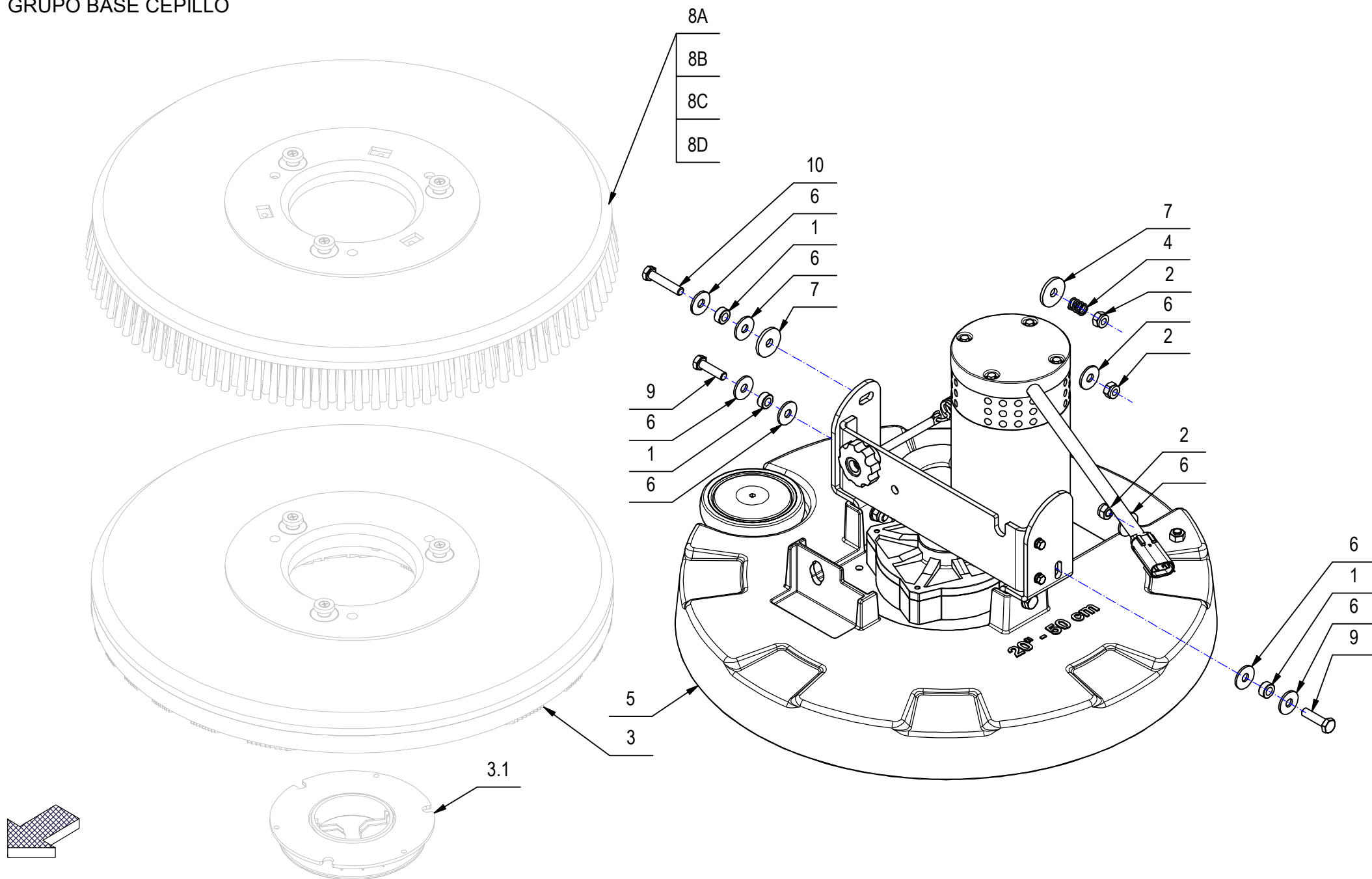
ÍNDICE

ÍNDICE	3
GRUPO BANCADA CEPILLO (ANCHURA DE TRABAJO 20in RAL 7001)	4
<i>PREMONTAJE BANCADA CEPILLO (ANCHURA DE TRABAJO 20in RAL 7001)</i>	6
GRUPO DE CONTROL BASE Y MARCO (VER. 1SP BT)	10
GRUPO LIMPIAPAVIMENTOS COMPLETO L=27,5in	14
GRUPO MANDO LIMPIAPAVIMENTOS	16
GRUPO TANQUE SOLUCION (VER. RAL7016)	20
GRUPO TANQUE AGUA SUCIA (VER. RAL7016)	24
GRUPO MOTOR SUCCION 24V 410W H1200 2ST PERIF. (VER. RAL7016)	26
GRUPO AGUA	28
GRUPO COMPONENTES ELÉCTRICOS (CON TRACCION)	30
PRE-ENSAMBLAJE DEL CARGADOR DE BATERÍA (VER. NE286 24V 11A)	34
GRUPOS ETIQUETA	36

CR-01 GROUP BASE BRUSH (WORKING WIDTH 20in RAL 7001)

GROUPE BASE BROSSE
GRUPO BASE CEPILLO

01



CR-01 GROUP BASE BRUSH (WORKING WIDTH 20in RAL 7001)

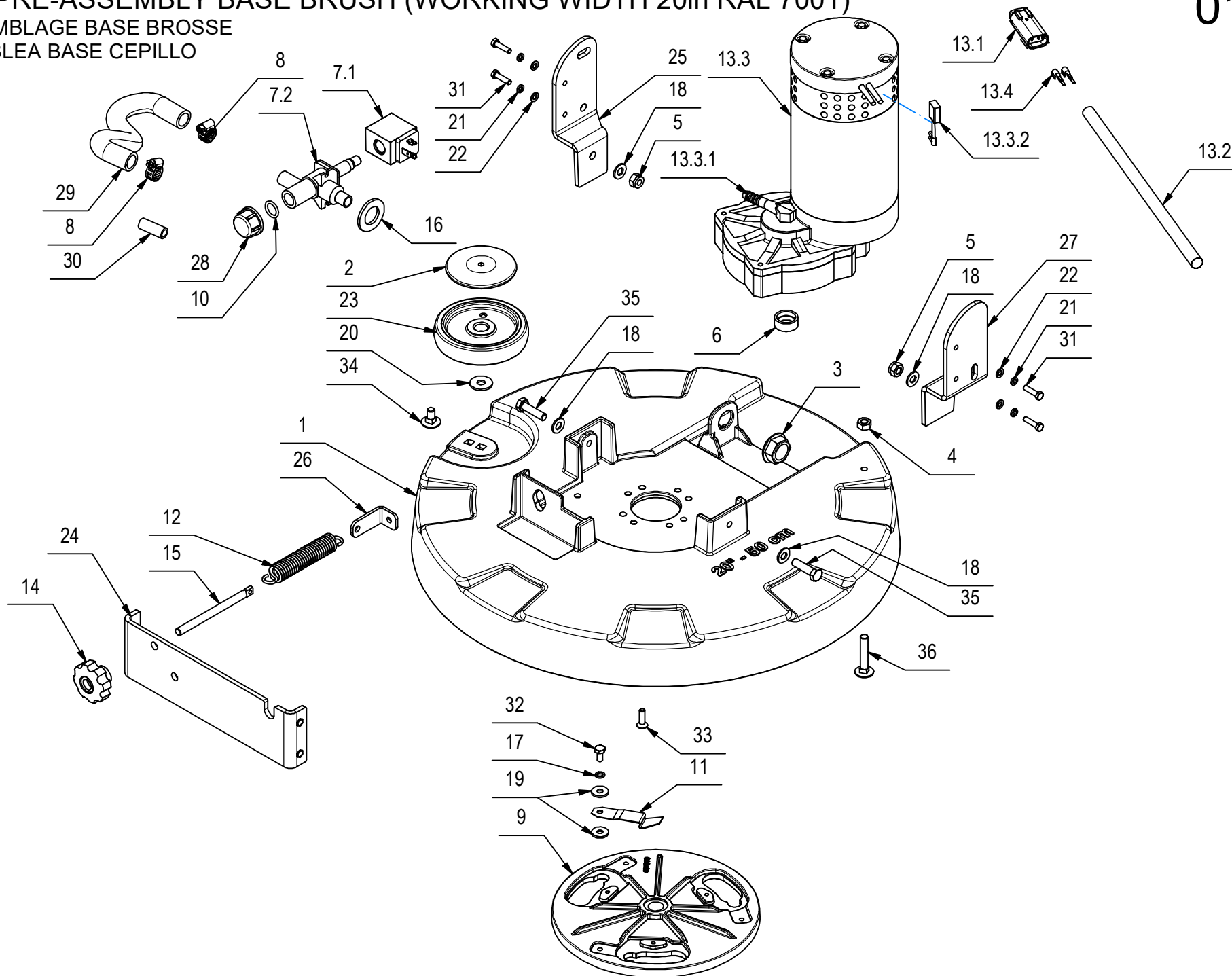
01

-	POS	TECHNICAL NEWS	SERIAL NUMBER	CODICE	QTÀ	DESCRIZIONE	DESCRIPTION	DESIGNATION	DESCRIPCÓN
	1			408041	3	BOCCOLA D=14,9 D=8,25 S=7 OT58	BUSHING	BAGUE	CASQUILLO
	2			409085	3	DADO M8 UNI 7474 - ZINC	NUT M8 UNI 7474 - ZINC	ECROU AUTOFREINES M8 UNI 7474 - ZINC	TUERCA AUTOBLOCANTE M8 UNI 7474 - ZINC
↓	3			405527	1	DISCO TRASCINATORE D=497 - 20" C-LOCK	PAD HOLDER	DISQUE ENTRAÎNEUR	DISCO DE ARRASTRE
↑	3.1			410575	1	CENTER LOCK H=20 A VITE VERDE	CENTER LOCK	CENTER LOCK	CENTER LOCK
	4			408094	1	MOLLA 12x1,5x15	SPRING	RESSORT	RESORTE
	5			224207	1	PREM. BASAMENTO MMX 50 B-BT 2014	BRUSH BASE ASSEMBLY	GROUPE PLATEAU DES BROSSES	GRUPO BANCADA CEPILLO
	6			409179	8	RONDELLA D24 UNI 6593 ZINC	WASHER D24 UNI 6593 ZINC	RONDELLE M8 UNI 6593 ZINC	ARANDELA M8 UNI 6593 ZINC
	7			409182	2	ROSETTA 8,5x30x3 NYLON	WASHER	RONDELLE	ARANDELA
	8A			404654	1	SPAZZOLA 20" D=508 -FUSTO D=495 -PPL 0,3	BRUSH	BROSSE	CEPILLO
	8B			405631	1	SPAZZOLA 20" D=508 -FUSTO D=495 -PPL 0,6	BRUSH	BROSSE	CEPILLO
	8C			404653	1	SPAZZOLA 20" D=508 -FUSTO D=495 -PPL 0,9	BRUSH	BROSSE	CEPILLO
	8D			405632	1	SPAZZOLA 20" D=508 -FUSTO D=495 -TYNEX 1	BRUSH	BROSSE	CEPILLO
	9			408676	2	VITE M8X30 UNI 5739 ZINC	SCREW M8X30 UNI 5739 ZINC	VIS M8X30 UNI 5739 ZINC	TORNILLO M8X30 UNI 5739 ZINC
	10			408679	1	VITE M8x40 UNI 5739 ZINC	SCREW M8x40 UNI 5739 ZINC	VIS	TORNILLO

CR-01A PRE-ASSEMBLY BASE BRUSH (WORKING WIDTH 20in RAL 7001)

PRÉ-ASSEMBLAGE BASE BROSSE
 PREASAMBLEA BASE CEPILLO

01A



CR-01A PRE-ASSEMBLY BASE BRUSH (WORKING WIDTH 20in RAL 7001)

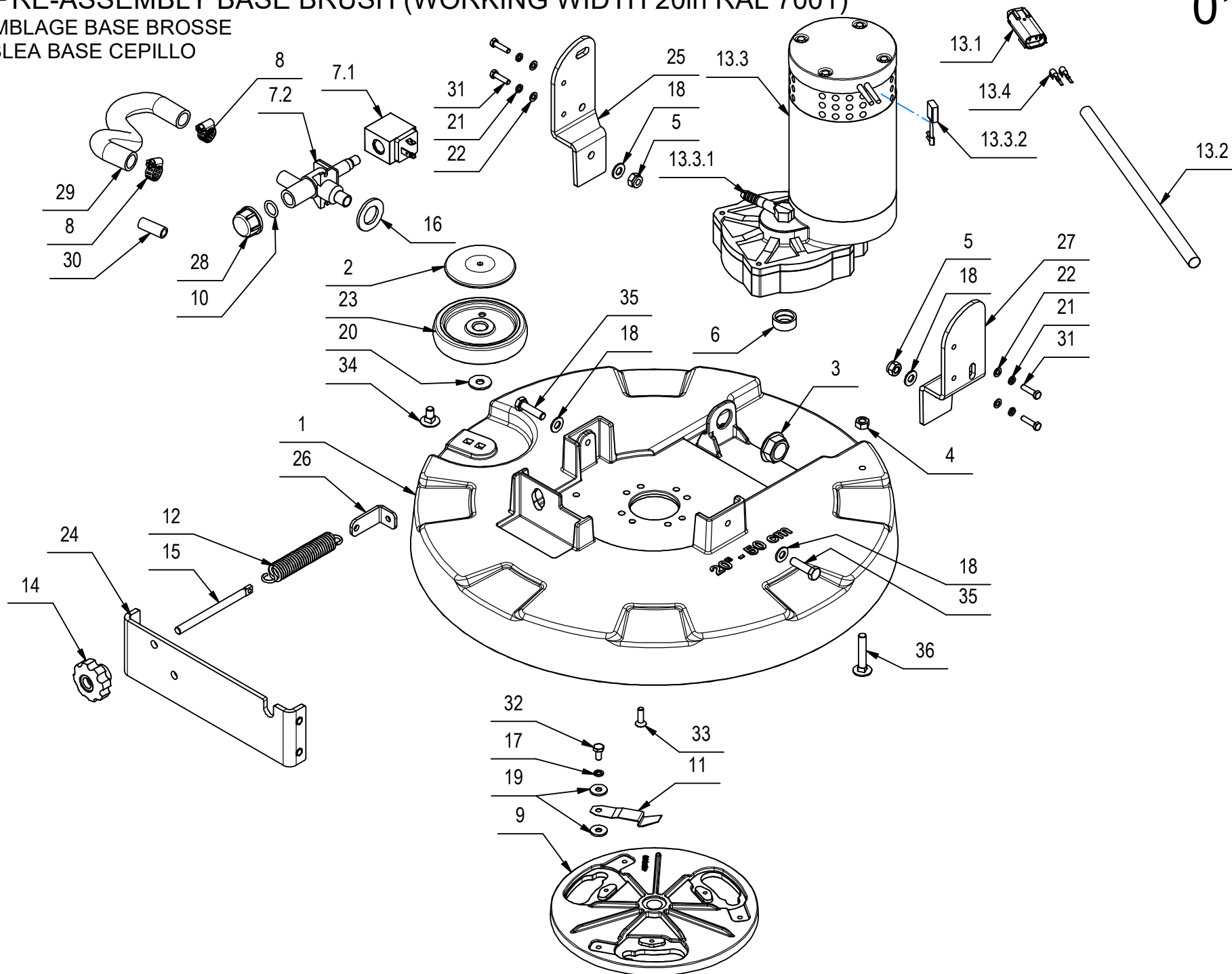
01A

-	POS	TECHNICAL NEWS	SERIAL NUMBER	CODICE	QTÀ	DESCRIZIONE	DESCRIPTION	DESIGNATION	DESCRIPCION
	1			437855	1	BASAMENTO IMX 50	BRUSH BASE	EMBASE DE BROSSE	BANCADA CEPILLO
	2			436119	1	BOCCOLA COPERTURA RUOTINA BASAMENTO	BUMPER WHEEL COVER	COUVERCLE DE ROUE DE PARE-CHOCS	TAPA PARACHOQUES RUEDA
	3			410442	1	DADO FLANGIATO 1/2"	FLANGE NUT 1/2"	ÉCROU À BRIDE EN PLASTIQUE 1/2"	TUERCA BRIDA PLÁSTICO 1/2"
	4			409049	1	DADO M8 UNI 5588 - AISI	NUT M8 UNI 5588 - AISI	ECROU M8 UNI 5588 - INOX	TUERCA M8 UNI 5588 - INOX
	5			409085	2	DADO M8 UNI 7474 - ZINC	NUT M8 UNI 7474 - ZINC	ECROU AUTOFREINES M8 UNI 7474 - ZINC	TUERCA AUTOBLOCANTE M8 UNI 7474 - ZINC
	6			438110	1	DISTANZIALE D=25 d=18,1-20 S=10 AISI 303	SPACER D=25 d=18,1-20 S=10 AISI 303	ENTRETOISE D=25 d=18,1-20 S=10 AISI 303	DISTANCIADOR D=25 d=18,1-20 S=10 AISI 30
↓	7			407887	1	ELETTROVALVOLA COMPLETA 24V 1/2" ACL 3	SOLENOID VALVE COMPLETE 24V 1/2" ACL 3	ELECTROVANNE COMPLET 24V 1/2" ACL 3	ELECTROVALVULA COMPLETO 24V 1/2" ACL 3
↑	7.1			407866	1	BOBINA 24V 1/2 (PER ACL 407887)	COIL 24V 1/2 (PER ACL 407887)	BOBINE 24V 1/2 (PER ACL 407887)	BOBINA 24V 1/2 (PER ACL 407887)
↑	7.2			407859	1	CORPO ELETTROVALVOLA 1/2- V.24/36 (ACL)	SOLENOID VALVE BODY 1/2- V.24/36 (ACL)	CORPS D'ELECTROVANNE 1/2- V.24/36 (ACL)	CUERPO ELECTROVALVULA 1/2- V.24/36 (ACL)
	8			410292	2	FASCETTA A VITE 11/17 ABA	HOSE CLAMP 11/17 ABA	COLLIER A VIS 11/17 ABA	ABRAZADERA DE TORNILLO 11/17 ABA
	9			437859	1	FLANGIA SPAZZOLA	BRUSH COUPLING FLANGE	BRIDE BROSSE	BRIDA CEPILLO
	10			408595	1	GUARNIZIONE OR 3056	O-RING 3056	JOINT	JUNTA
	11			407598	1	MOLLA BLOCCAGGIO SPAZZOLE	SPRING	RESSORT	RESORTE
	12			408110	1	MOLLA TRAZIONE 20x2,8x109	SPRING	RESSORT	RESORTE
↓	13			223301	1	MOTORID. 24V 500W 140RPM SX CON MOLEX	GEARED MOTOR ASSEMBLY 24V 500W 140RPM S	MOTO-REDUCTEUR COMPLET 24V 500W 140RPM S	MOTORREDUCTOR COMPLETO 24V 500W 140RPM S
↑	13.1			436411	1	CONNETTORE MOLEX MX150L FEM. 19433-0013	CONNECTOR MOLEX MX150L 19433-0013	CONNECTEUR MOLEX MX150L FEM. 19433-0013	CONECTOR MOLEX MX150L HEMBRA 19433-0013
↑	13.2			414378	1	GUAINA D=12,7X300 TERMOR.	HEATH SHRINKABLE SHEATH D=12,7x300	GAINÉ D=12,7X300	VAINA D=12,7X300
↑↓	13.3			438300	1	MOTORID. 24V 500W 140RPM ALBERO FIL. SX	GEARED MOTOR ASSEMBLY 24V 500W 140RPM S	MOTO-REDUCTEUR COMPLET 24V 500W 140RPM S	MOTORREDUCTOR COMPLETO 24V 500W 140RPM S
↑↑	13.3.1			423060	1	PORTAGOMMA ESAGONALE FILET. G1/4 MASCHIO	FITTING HEXAGON THREAD G1/4 M	RACCORD FILETAGE HEXAGONAL G1/4 M	RACOR ROSCA HEXAGONAL G1/4 M
↑↑	13.3.2			422462	4	SPAZZ. MOT. 7X14X19 VISPA-GENIE (FASTON)	CARBON BRUSH MOTOR 7X14X19 VISPA-GENIE	CHARBON 7X14X19 VISPA-GENIE	ESCOBILLA 7X14X19 VISPA-GENIE
↑	13.4			436413	2	TERMINAL MOLEX MX150L MAS. 19431-0001	PIN MOLEX MX150L 19431-0001	CONTACT MOLEX MX150L MAS. 19431-0001	CONTACTO MOLEX MX150L MAS. 19431-0001
	14			416158	1	POMELLO D=45 M8 FEMMINA	KNOB	POMMEAU	POMO
	15			206061	1	REGISTRO PRESSIONE SPOSTAM. LATER.	ADJUSTER	REGLAGE	REGULADOR

CR-01A PRE-ASSEMBLY BASE BRUSH (WORKING WIDTH 20in RAL 7001)

PRÉ-ASSEMBLAGE BASE BROSSE
PREASAMBLEA BASE CEPILLO

01A



CR-01A PRE-ASSEMBLY BASE BRUSH (WORKING WIDTH 20in RAL 7001)

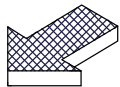
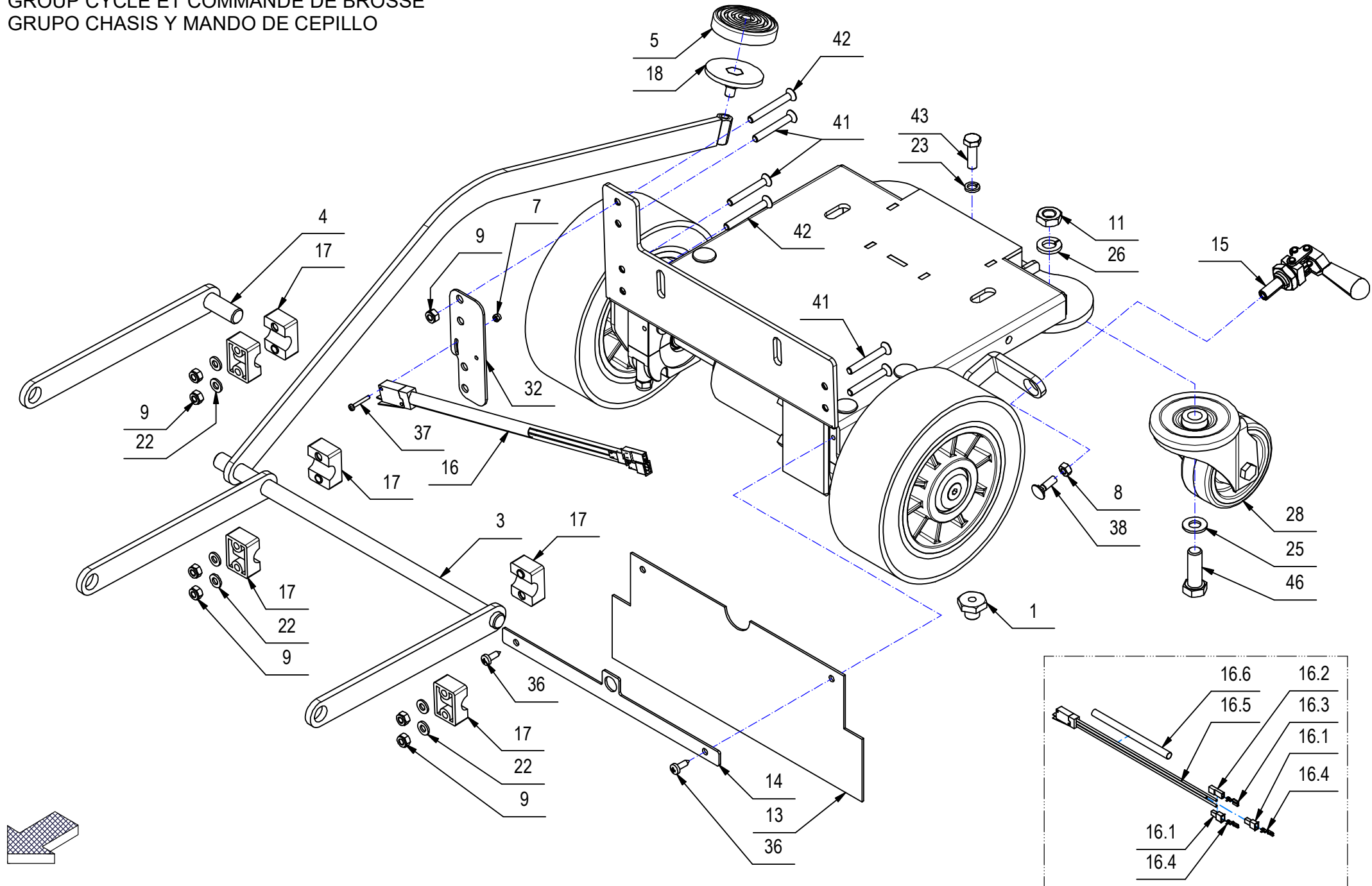
01A

-	POS	TECHNICAL NEWS	SERIAL NUMBER	CODICE	QTÀ	DESCRIZIONE	DESCRIPTION	DESIGNATION	DESCRIPCÓN
	16			409230	1	RONDELLA 21x37x3 UNI 6592 ZINC	WASHER M20 UNI 6592 ZINC	RONDELLE M20 UNI 6592 ZINC	ARANDELA M20 UNI 6592 ZINC
	17			415945	1	RONDELLA D11,8 UNI 1751 AISI	WASHER D11,8 UNI 1751 AISI	RONDELLE	ARANDELA
	18			409175	4	RONDELLA D17 UNI 6592 ZINC.	WASHER D17 UNI 6592 ZINC.	RONDELLE M8 UNI 6592 ZINC	ARANDELA M8 UNI 6592 ZINC
	19			409161	2	RONDELLA D18x2 UNI 6593 AISI	WASHER D18x2 UNI 6593 AISI	RONDELLE	ARANDELA
	20			409179	1	RONDELLA D24 UNI 6593 ZINC	WASHER D24 UNI 6593 ZINC	RONDELLE M8 UNI 6593 ZINC	ARANDELA M8 UNI 6593 ZINC
	21			409154	4	RONDELLA M5 UNI 1751 ZINC	WASHER M5 UNI 1751 ZINC	RONDELLE M5 UNI 1751 ZINC	ARANDELA M5 UNI 1751 ZINC
	22			409150	4	ROSETTA 5X11X1 UNI 6592 ZINC	WASHER M5 UNI 6592 ZINC	RONDELLE M5 UNI 6592 ZINC	ARANDELA M5 UNI 6592 ZINC
	23			436120	1	RUOTINA PARACOLPI BASAMENTO D=100 H=20	BUMPER WHEEL	BUTEE	PARACHOQUES
	24			439821	1	STAFFA ANTERIORE BASAMENTO MMX 2014	SUPPORT	SUPPORT	SOPORTE
	25			439822	1	STAFFA DX BASAMENTO MMX 2014	SUPPORT	SUPPORT	SOPORTE
	26			439824	1	STAFFA REGISTRO MOLLA BASAMENTO MMX 2014	SUPPORT	SUPPORT	SOPORTE
	27			439823	1	STAFFA SX BASAMENTO MMX 2014	SUPPORT	SUPPORT	SOPORTE
	28			410409	1	TAPPO FEMMINA 1/2" - PLASTICA	CAP 1/2"	CAPUCHON	TAPON
	29			202173	1	TUBO D.12X200 SPIRALATO	PIPE	TUBE	TUBO
	30			221379	1	TUBO VITREO D=12 d=8 L=30	PIPE	TUBE	TUBO
	31			407647	4	VITE M5x20 TE UNI 5739 ZINC	SCREW M5X20 UNI 5739 ZINC	VIS M5X20 UNI 5739 ZINC	TORNILLO M5X20 UNI 5739 ZINC
	32			407660	1	VITE M6X12 TE UNI 5739 A2	SCREW	VIS	TORNILLO
	33			408967	4	VITE M6x20 TPSEI UNI 5933 A2	SCREW M6X20 UNI 5933 INOX	VIS M6X20 UNI 5933 INOX	TORNILLO M6X20 UNI 5933 INOX
	34			436341	1	VITE M8x16 UNI 5732 AISI	SCREW M8x16 UNI 5732 AISI	VIS M8X16 UNI 5731 INOX	TORNILLO M8X16 UNI 5731 INOX
	35			408676	2	VITE M8X30 UNI 5739 ZINC	SCREW M8X30 UNI 5739 ZINC	VIS M8X30 UNI 5739 ZINC	TORNILLO M8X30 UNI 5739 ZINC
	36			428807	1	VITE M8x45 UNI 5732 AISI	SCREW M8x45 UNI 5732 AISI	VIS M8X45 UNI 5731 INOX	TORNILLO M8X45 UNI 5731 INOX

CR-02/05 FRAME AND CONTROL BASE ASSEMBLY

GROUP CYCLE ET COMMANDE DE BROSSE
 GRUPO CHASIS Y MANDO DE CEPILLO

02/05



CR-02/05 FRAME AND CONTROL BASE ASSEMBLY

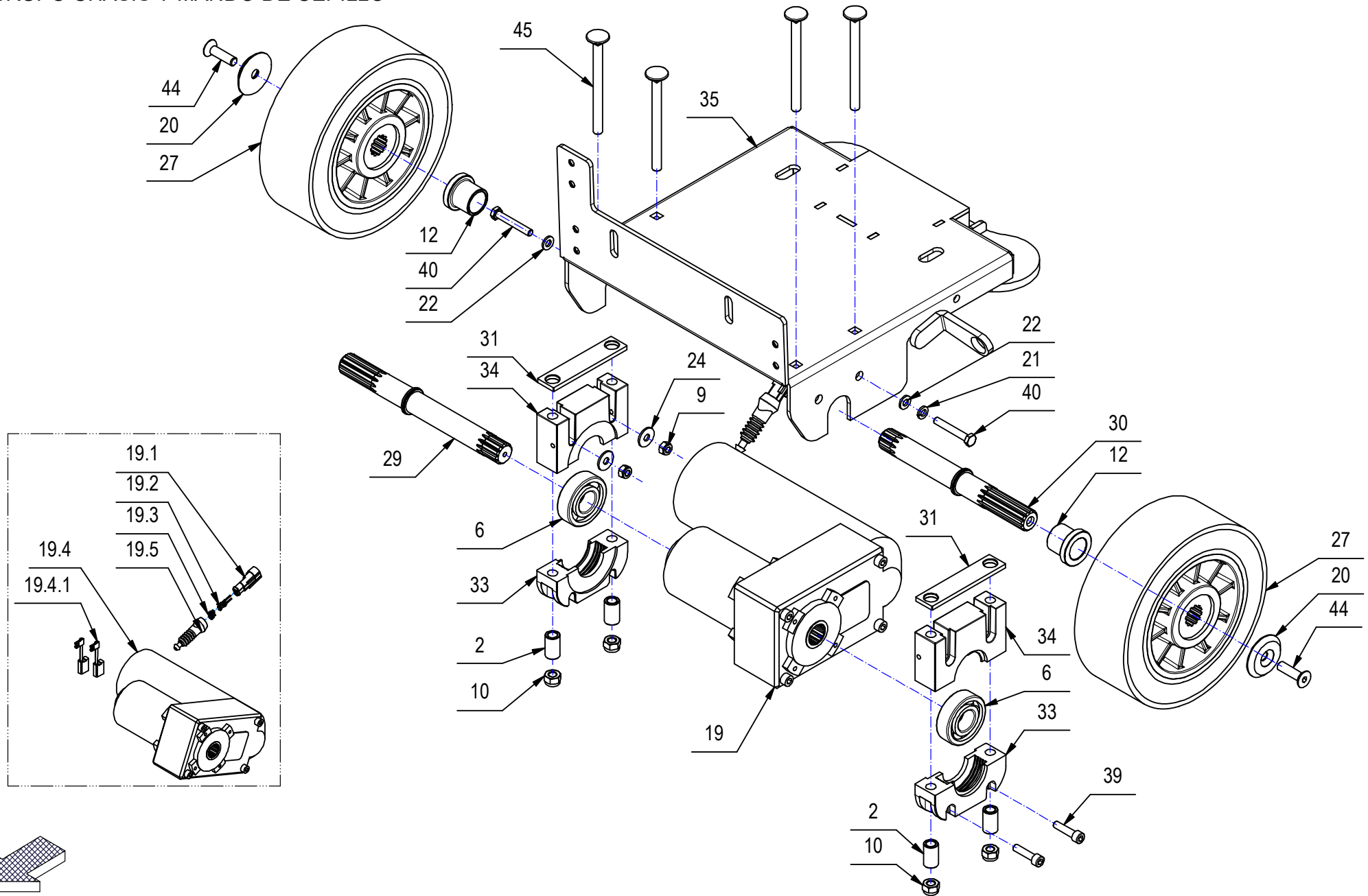
02/05

-	POS	TECHNICAL NEWS	SERIAL NUMBER	CODICE	QTÀ	DESCRIZIONE	DESCRIPTION	DESIGNATION	DESCRIPCION
	1			202467	1	BOCCOLA CH22 d=M8 S=17 AVP	BUSHING CH22 d=M8 S=17 AVP	BAGUE CH22 d=M8 S=17 AVP	CASQUILLO CH22 d=M8 S=17 AVP
	3			217037	1	BRACCIO COMANDO BASAMENTO MMX	ARM	BRAS	BRAZO
	4			206831	1	BRACCIO TERZO PUNTO	ARM	BRAS	BRAZO
	5			400773	1	COPRI PEDALE D56	PEDAL COVER	GARNITURE PEDALE	CUBREPEDAL
	7			415897	2	DADO M3 UNI 7474 AISI	NUT M3 UNI 7474 AISI	ECROU AUTOBLOCANT	TUERCA AUTOBLOCANTE
	8			409040	1	DADO M6 UNI 5588 ZINC	NUT M6 UNI 5588 ZINC	ECROU	TUERCA
	9			409082	10	DADO M6 UNI 7474 ZINC	NUT M6 UNI 7474 ZINC	ECROU AUTOFREINES	TUERCA AUTOBLOCANTE
	11			409067	2	DADO M12 UNI 5589 ZINC	NUT M12 UNI 5589 ZINC	ECROU	TUERCA
	13			427244	1	GOMMA PARASPRUZZI MMX	SPLASH GUARD	BAVETTE DE PROTECTION	PARASALPICADURAS
	14			216813	1	LAMA GOMMA PARASPRUZZI MMX	BLADE	PLAQUETTE	LISTON
	15			427250	1	LEVA FRENO MMX DE.STA.CO.602	BRAKE LEVER	CABLE DE LEVIER	CUERDA PALANCA
↓	16			216999	1	MICROINT. ABV1612613 + FASTON	MICROSWITCH	MICROINTERRUPTEUR	MICROINTERRUPTOR
↑	16.1			409951	2	COPRIFASTON MASCHIO 6,3	FASTON COVER	COUVERCLE DE FASTON	CUBREFASTON
↑	16.2			416138	1	COPRIFASTON X FEMMINA D.6.3 25X9 BIAN	FEMALE FASTON COVER	COUVERCLE DE FASTON	CUBREFASTON
↑	16.3			409890	1	FASTON FEMMINA 6,3 NUDO	FASTON FEMALE 6,3	FEMELLE FASTON	FASTON HEMBRA
↑	16.4			416087	2	FASTON MASCHIO NUDO D.6,3	FASTON	FASTON	FASTON
↑	16.5			427681	1	MICROINT. ABV1612613 C/LAMA PIATTA	MICROSWITCH	MICROINTERRUPTEUR	MICROINTERRUPTOR
↑	16.6			209449	1	TUBETTO RESTRINGIBILE 9,5X150	SHEATH	GAINÉ	VAINA
	17			400321	6	MORSETTO SUPPORTO SPAZZOLE	HOLDFAST	ETAU	MORDAZA
	18			206838	1	PEDALE	PEDAL	PEDALE	PEDAL
	22			409156	10	RONDELLA D12 UNI 6592 ZINC	WASHER D12 UNI 6592 ZINC	RONDELLE	ARANDELA
	23			409181	1	RONDELLA D13 UNI 1751 ZINC	LOCK WASHER D13 UNI 1751 ZINC	RONDELLE FREIN	ARANDELLA DENTADA
	25			409191	2	RONDELLA D21 UNI 6592 ZINC	WASHER D21 UNI 6592 ZINC	RONDELLE	ARANDELA
	26			409204	2	ROSETTA 12x4x3 GROWER RIFORZ.ASA B27 ZIN	WASHER	RONDELLE	ARANDELA
	28			424462	2	RUOTA PIV. D=80 H=32 2 CUSCINETTI INOX	CASTOR WHEEL	ROUE PIVOTANTE	RUEDA PIVOTANTE
	32			216745	1	STAFFA FINECORSIA BASAMENTO SPAZZOLE MMX	SUPPORT	ATTAQUE	SOPORTE FIJADOR
	36			408884	2	VITE D.4,8x16 AUTOF. NICH UNI 6954	SCREW	VIS	TORNILLO
	37			408834	2	VITE M3X20 UNI 7687 ZINC	SCREW M3X20 UNI 7687 ZINC	VIS	TORNILLO
	38			408620	1	VITE M6X20 UNI 5732 ZINC	SCREW M6X20 UNI 5732 ZINC	VIS	TORNILLO
	41			415826	4	VITE M6X45 TPSEI UNI 5933 ZINC	SCREW	VIS	TORNILLO
	42			408974	2	VITE M6x50 TPSEI UNI 5933 ZINC.	SCREW	VIS	TORNILLO
	43			408674	1	VITE M8x25 UNI 5739 ZINC	SCREW M8x25 UNI 5739 ZINC	VIS	TORNILLO
	46			408746	2	VITE M12X35 TE UNI 5739 ZINC	SCREW	VIS	TORNILLO

CR-02/05 FRAME AND CONTROL BASE ASSEMBLY

GROUP CYCLE ET COMMANDE DE BROSSE
GRUPO CHASIS Y MANDO DE CEPILLO

02/05



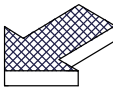
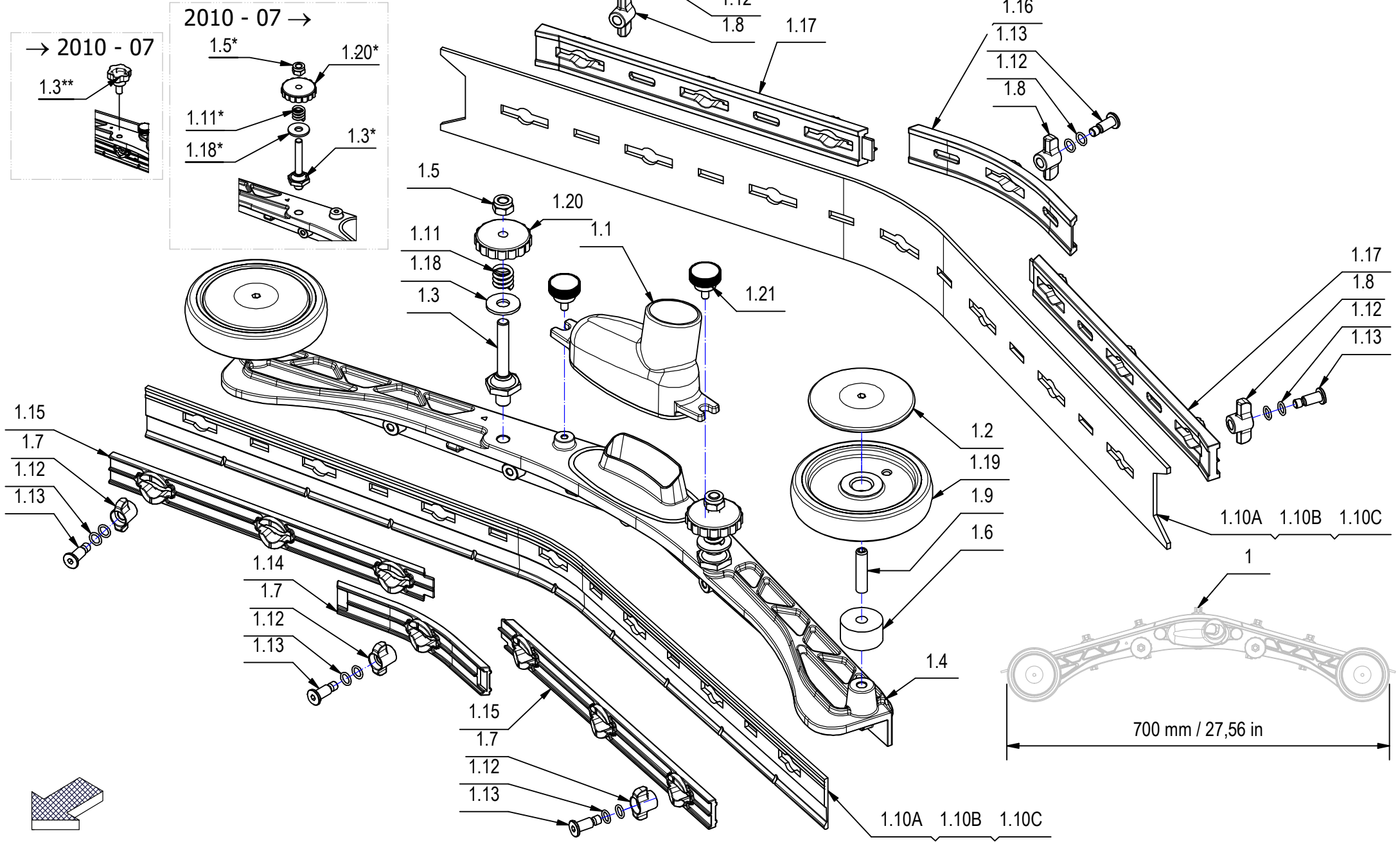
CR-02/05 FRAME AND CONTROL BASE ASSEMBLY

02/05

-	POS	TECHNICAL NEWS	SERIAL NUMBER	CODICE	QTÀ	DESCRIZIONE	DESCRIPTION	DESIGNATION	DESCRIPCÓN
	2			202466	4	BOCCOLA D=13 d=8,2 S=22 Fe360	BUSHING	BAGUE	CASQUILLO
	6			408435	2	CUSCINETTO SF 6204 D=47 d=20 S=14	BEARING SF 6204 D=47 d=20 S=14	ROULEMENT	COJINETE
	9			409082	10	DADO M6 UNI 7474 ZINC	NUT M6 UNI 7474 ZINC	ECROU AUTOFREINES	TUERCA AUTOBLOCANTE
	10			409085	4	DADO M8 UNI 7474 - ZINC	NUT M8 UNI 7474 - ZINC	ECROU AUTOFREINES M8 UNI 7474 - ZINC	TUERCA AUTOBLOCANTE M8 UNI 7474 - ZINC
	12			439923	2	DISTANZIALE D=33-25 d=20,2 L=26 S235	SPACER	ENTRETOISE	DISTANCIADOR
	↓ 19			223329	1	PREM. MOTORIDUTTORE TRAZIONE IMX	GEARED MOTOR ASSEMBLY	MOTO-REDUCTEUR COMPLET	MOTORREDUCTOR COMPLETO
	↑ 19.1			436430	1	CONNETTORI AMP SUPERSEAL 1,5 282104-1	CONNECTOR FEMALE	CONNECTEUR FEMELLE	CONECTOR HEMBRA
	↑ 19.2			436431	2	CONTATTO MINI-MIC TAB 282404-1	CONTACT	CONTACT	CONTACTO
	↑ 19.3			438589	2	GUARNIZIONE CONTATTO AMP 281934-3 ROSSO	GASKET	JOINT	JUNTA
	↑↓ 19.4			407551	1	MOTORIDUTTORE 24V 150W 100G	GEARED MOTOR	MOTO-REDUCTEUR	MOTORREDUCTOR
	↑↑ 19.4.1			409413	2	SPAZZOLA MOTORE 7X14	CARBON BRUSH MOTOR	CHARBON MOTEUR	ESCOBILLA MOTOR
	19.5			436585	1	SOFFIETTO AMP SUPERSEAL 880810-1	BELLOWS	SOUFFLET	FUELLE
	20			415250	2	RONDELLA d=8,5 D=40 S=5 PER RUOTA	WASHER	RONDELLE	ARANDELA
	21			409164	2	RONDELLA D11,8 UNI 1751 ZINC	WASHER D11,8 UNI 1751 ZINC	RONDELLE FREIN	ARANDELLA DENTADA
	22			409156	10	RONDELLA D12 UNI 6592 ZINC	WASHER D12 UNI 6592 ZINC	RONDELLE	ARANDELA
	24			409160	2	RONDELLA D18 UNI 6593 ZINC	WASHER D18 UNI 6593 ZINC	RONDELLE	ARANDELA
	27			438029	2	RUOTA D=175 d=20 S=60 MOZZO SCANALATO	WHEEL	ROUE	RUEDA
	29			216797	1	SEMIASSE DX MMX	RIGHT AXLE SHAFT	DEMI-ESSIEU DROITE	SEMIEJE DERECHO
	30			216811	1	SEMIASSE SX MMX	LEFT AXLE SHAFT	DEMI-ESSIEU GAUCHE	SEMIEJE IZQUIERDO
	31			216784	2	SPESSORE TELAIO TRAZIONE MMX	SHIM	EPAISSEUR	ESPESOR
	33			210489	2	SUPPORTO CUSCINETTO INF. LAVORATO HS50	BEARING SUPPORT	SUPPORT ROULEMENT	SOPORTE COJINETE
	34			210488	2	SUPPORTO CUSCINETTO SUP. LAVORATO HS50	BEARING SUPPORT	SUPPORT ROULEMENT	SOPORTE COJINETE
	35			439952	1	TELAIO MMX 50B 2014	FRAME	CHASSIS	BASTIDOR
	39			408797	2	VITE M6x25 TCEI UNI 5931 ZINC	SCREW	VIS	TORNILLO
	40			408660	4	VITE M6x40 UNI 5739 ZINC	SCREW M6x40 UNI 5739 ZINC	VIS	TORNILLO
	44			408982	2	VITE M8x30 TPSEI UNI 5933 ZINC	SCREW	VIS	TORNILLO
	45			427222	4	VITE M8x100 UNI 5732 ZINC	SCREW M8x100 UNI 5732 ZINC	VIS	TORNILLO

CR-03 SQUEEGEE ASSEMBLY L=700 mm L=27,56 in

ENSEMBLE DE SUCEUR
GRUPO LIMPIADOR DE SUELO

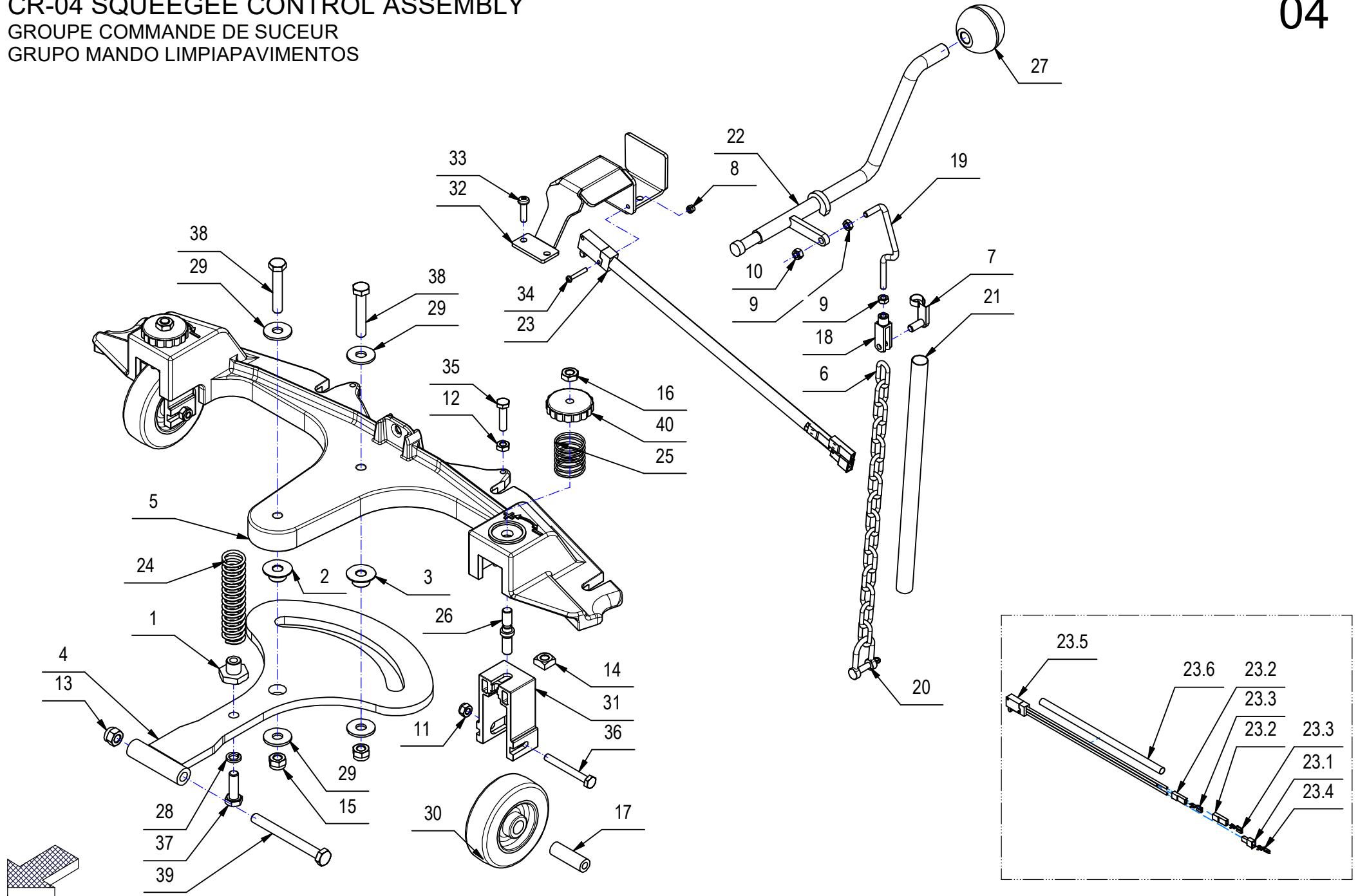


CR-03 SQUEEGEE ASSEMBLY L=700 mm L=27,56 in

-	POS	TECHNICAL NEWS	SERIAL NUMBER	CODICE	QTÀ	DESCRIZIONE	DESCRIPTION	DESIGNATION	DESCRIPCION
↓	1			222875	1	PREM. TERGIPAVIMENTO L=700	SQUEEGEE ASSEMBLY	SUCEUR COMPLETE	LIMPIAPAVIMENTOS COMPLETO
↑	1.1			430957	1	BOCCHETTA DRITTA D=40 + GUARN. TERGI2010	OPENING	BUSE	BOQUILLA
↑	1.2			436119	2	BOCCOLA COPERTURA RUOTINA BASAMENTO MXR	BUSHING	BAGUE	CASQUILLO
	1.3**		→ 2010 - 07	437313	2	POMELLO VP40 M10x20 (COD. GAMM 6112210)	KNOB VP40 M10x20 (COD. GAMM 6112210)	POMMEA UVP40 M10x20 (COD. GAMM 6112210)	POMO VP40 M10x20 (COD. GAMM 6112210)
	1.3*		2010 - 07→	219372	2	COLONNETTA SGANCIO M10-CH22 - M8 (28-45)	STUD BOLT	TIGE	PRISIONERO
↑	1.3			219372	2	COLONNETTA SGANCIO M10-CH22 - M8 (28-45)	STUD BOLT	TIGE	PRISIONERO
↑	1.4			430940	1	CORPO TERGIPAVIMENTO 2010 L=638	SQUEEGEE BODY	CORPS DE SUCEUR	CUERPO LIMPIAPAVIMENTOS
	1.5*		2010 - 07→	409087	2	DADO M8 AUTOBL. UNI 7474 INOX BASSO	LOCK NUT	ECROU AUTOFREINES	TUERCA AUTOBLOCANTE
↑	1.5			409087	2	DADO M8 AUTOBL. UNI 7474 INOX BASSO	LOCK NUT	ECROU AUTOFREINES	TUERCA AUTOBLOCANTE
↑	1.6			214071	2	DISTANZIALE D=30 d=8,2 S=16 PP	SPACER	ENTRETOISE	DISTANCIADOR
↑	1.7			430954	7	GALLETTO CHIUSURA ANTERIORE TERGI 2010	WING NUT	PAPILLON	POMO
↑	1.8			430955	7	GALLETTO CHIUSURA POSTERIORE TERGI 2010	WING NUT	PAPILLON	POMO
↑	1.9			408915	2	GRANO M8X35 EI UNI 5923	DOWEL	VIS CYLINDRIQUE	TORNILLO
↑	1.10A			219451	1	KIT GOMME 33 SH -TERGI 2010 L=680 SP=4	KIT RUBBER IN PARA 33Sh	PNEUS KIT AU PARA 33Sh	KIT DE PARA EN 33Sh PARA
↑	1.10B			219452	1	KIT GOMME POLIUR. -TERGI 2010 L=680 SP=4	POLYURETHANE RUBBER KIT	CAOUTCHOUC POLYURETHANE KIT	POLIURETANO DE GOMA KIT
↑	1.10C			219453	1	KIT GOMME LATEX -TERGI 2010 L=680 SP=4	KIT RUBBER LATEX	KIT LATEX DE CAOUTCHOUC	KIT DE GOMA LATEX
	1.11*		2010 - 07→	408098	2	MOLLA COMPR. 14,5x15x2,5 COLON. TERGIP.	SPRING	RESSORT	RESORTE
↑	1.11			408098	2	MOLLA COMPR. 14,5x15x2,5 COLON. TERGIP.	SPRING	RESSORT	RESORTE
↑	1.12			431633	28	O-RING 7x1,5 NBR 70 SHORE	WASHER	RONDELLE	ARANDELA
↑	1.13			430903	14	PERNO MANOPOLINA D=11,8 d=7 M=6 H=22	PIN	AXE	PERNO
↑	1.14			430944	1	PREMIGOMMA ANTERIORE CENTRALE TERGI 2010	FRONT BLADE	PLAQUETTE AVANT	LISTON DELANTERA
↑	1.15			430945	2	PREMIGOMMA ANTERIORE L=638 TERGI 2010	FRONT BLADE	PLAQUETTE AVANT	LISTON DELANTERA
↑	1.16			430949	1	PREMIGOMMA POSTERIORE CENTRALE TERGI2010	REAR BLADE	PLAQUETTE ARRIERE	LISTON TRASERA
↑	1.17			430950	2	PREMIGOMMA POSTERIORE L=638 TERGI 2010	REAR BLADE	PLAQUETTE ARRIERE	LISTON TRASERA
	1.18*		2010 - 07→	409185	2	ROSETTA 9x24x2,5 UNI 6593 A2	WASHER	RONDELLE	ARANDELA
↑	1.18			409185	2	ROSETTA 9x24x2,5 UNI 6593 A2	WASHER	RONDELLE	ARANDELA
↑	1.19			436120	2	RUOTINA PARACOLPI BASAMENTO D=100 H=20	BUMPER	BUTEE	PARACHOQUES
	1.20*		2010 - 07→	400112	2	VOLANTINO DI BLOCCAGGIO M8 D=40 S=9 (BLACK)	HANDWHEEL	VOLANT	RUEDA DE MANIOBRA
	1.20*		→ 217015342	400112	2	VOLANTINO DI BLOCCAGGIO M8 D=40 S=9 (BLACK)	HANDWHEEL	VOLANT	RUEDA DE MANIOBRA
↑	1.20		217015343 →	447887	2	VOLANTINO LOBATO PASSANTE V/40/PS M8 (YELLOW)	HANDWHEEL	VOLANT	RUEDA DE MANIOBRA
↑	1.21			435330	2	VOLANTINO ZIGRINATO ZPX/22 M5x10 6331400	KNOB	POMMEAU	POMO

CR-04 SQUEEGEE CONTROL ASSEMBLY

GROUPE COMMANDE DE SUCEUR
GRUPO MANDO LIMPIAPAVIMENTOS



CR-04 SQUEEGEE CONTROL ASSEMBLY

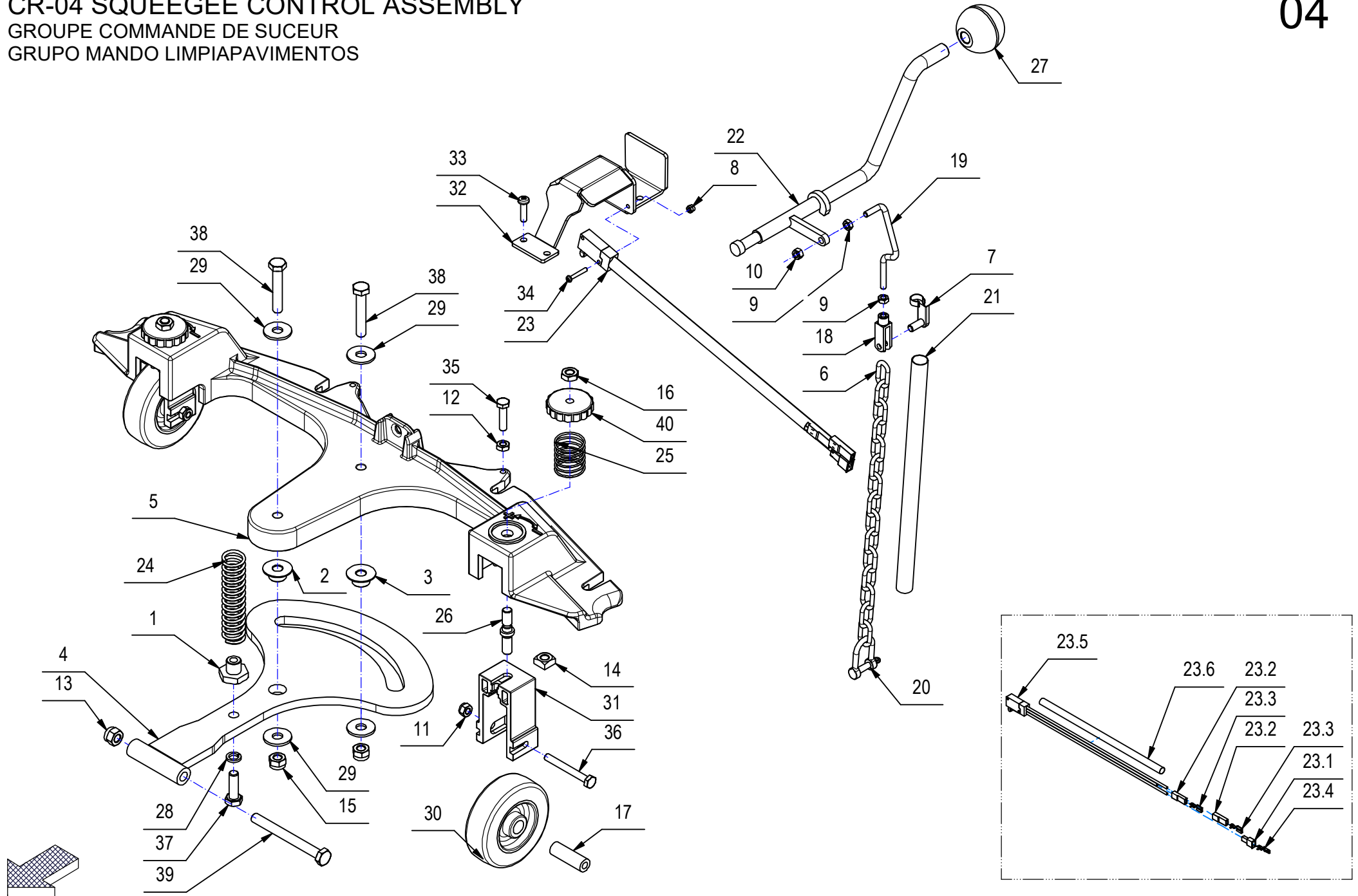
04

-	POS	TECHNICAL NEWS	SERIAL NUMBER	CODICE	QTÀ	DESCRIZIONE	DESCRIPTION	DESIGNATION	DESCRIPCIÓN
	1			202467	1	BOCCOLA CH22 d=M8 S=17 AVP	BUSHING CH22 d=M8 S=17 AVP	BAGUE CH22 d=M8 S=17 AVP	CASQUILLO CH22 d=M8 S=17 AVP
	2			439921	1	BOCCOLA D=25-14,9 d=8,2 S=9,2 OT58	BUSHING	BAGUE	CASQUILLO
	3			439922	1	BOCCOLA D=25-14,9 d=8,2 S=9,7 NYLON	BUSHING	BAGUE	CASQUILLO
	4			439920	1	BRACCIO ANT. ATTACCO TERGI MMX 2014	FRONT ARM	BRAS AVANT	BRAZO DELANTERO
	5			437134	1	BRACCIO POSTERIORE ATTACCO TERGI MY20 BT	REAR ARM	BRAS ARRIERE	BRAZO TRASERO
	6			224133	1	CATENA NR.18 - LUNGHEZZA INTERNA =300			
	7			410466	1	CLIPS PER FORCELLA M5 LUNGA	CLIP	EPINGLE	ESPIGA
	8			409077	2	DADO M3x4,5 UNI 7474 ZINC	NUT M3x4,5 UNI 7474 ZINC	ECROU AUTOFREINES	TUERCA AUTOBLOCANTE
	9			409038	2	DADO M5x3,5 UNI 5589 ZINC	LOCK NUT	ECROU AUTOFREINES	TUERCA AUTOBLOCANTE
	10			416781	1	DADO M5X5 UNI 7473 ZINC	NUT M5X5 UNI 7473 ZINC	ECROU AUTOFREINES	TUERCA AUTOBLOCANTE
	11			415901	2	DADO M6 AUTOBL. UNI 7474 INOX	NUT	ECROU	TUERCA
	12			409044	1	DADO M6x4 UNI 5589 A2	NUT	ECROU	TUERCA
	13			409088	1	DADO M8 AUTOBL. UNI 7473 A2	LOCK NUT	ECROU AUTOBLOQUANT	TUERCA AUTOBLOCANTE
	14			409055	2	DADO M8 QUADRO 13x13x6,5 DIN557 A2	NUT	ECROU	TUERCA
	15			409087	2	DADO M8 UNI 7474 AISI	NUT M8 UNI 7474 AISI	ECROU AUTOFREINES	TUERCA AUTOBLOCANTE
	16			409048	2	DADO M8x5 UNI 5589 A2	NUT	ECROU	TUERCA
	17			408086	2	DISTANZIALE D=12 d=6,2 S=36	SPACER D=12 d=6,2 S=36	ENTRETOISE	DISTANCIADOR
	18			410458	1	FORCELLA M5 LUNGA	FORK	FOURCHETTE	HORQUILLA
	19			438395	1	GANCIO SOLL. CATENA SIMPLA-MEDIA 2009	HOOKE	CROCHET	GANCHO
	20			410325	1	GRILLO ZINCATO M5	SPLIT PIN	GOUPILLE	PASADOR DE ALETAS
	21			222407	1	GUAINA TERMORESTRING. D.12,7 NERA L=247	SHEATH	GAINÉ	VAINA
	22			217054	1	LEVA COMANDO TERGI MMX	LEVER	LEVIER	PALANCA
↓	23			216691	1	MICROINT. C/ROTEL STAGNO COMPLETO	MICROSWITCH	MICROINTERRUPTEUR	MICROINTERRUPTOR
↑	23.1			409951	1	COPRIFASTON MASCHIO 6,3	FASTON COVER	COUVERCLE DE FASTON	CUBREFASTON
↑	23.2			416138	2	COPRIFASTON X FEMMINA D.6.3 25X9 BIAN	FEMALE FASTON COVER	COUVERCLE DE FASTON	CUBREFASTON
↑	23.3			409890	2	FASTON FEMMINA 6,3 NUDO	FASTON FEMALE 6,3	FEMELLE FASTON	FASTON HEMBRA
↑	23.4			416087	1	FASTON MASCHIO NUDO D.6,3	FASTON	FASTON	FASTON
↑	23.5			427062	1	MICROINT. ABV1615613 C/ROTEL STAGNO	MICROSWITCH	MICROINTERRUPTEUR	MICROINTERRUPTOR
↑	23.6			221003	1	TUBETTO RESTRINGIBILE 9,5X240	SHEATH	GAINÉ	VAINA
	24			416727	1	MOLLA COMP. 20x2.5x85 14 SPIRE	SPRING	RESSORT	RESORTE
	25			408092	2	MOLLA COMPR. E 26 L 30 FILO 1.5	SPRING	RESSORT	RESORTE
	26			400841	2	PERNO REGISTRO SIMPLA	PIN	AXE	PERNO
	27			425592	1	POMELLO A SFERA D.41 M12x18 INS. OT GAMM	KNOB	POMMEAU	POMO
	28			409181	1	RONDELLA D13 UNI 1751 ZINC	LOCK WASHER D13 UNI 1751 ZINC	RONDELLE FREIN	ARANDELLA DENTADA
	29			409185	4	RONDELLA D24 UNI 6593 AISI	WASHER D24 UNI 6593 AISI	RONDELLE	ARANDELA
	30			438487	2	RUOTA D=80 H=25 GOMMA GRIGIA	WHEEL	ROUE	RUEDA
	31			400839	2	STAFFA RUOTA ATTACCO TERGI SIMPLA	SUPPORT	ATTAQUE	SOPORTE FIJADOR

CR-04 SQUEEGEE CONTROL ASSEMBLY

GROUPE COMMANDE DE SUCEUR
GRUPO MANDO LIMPIAPAVIMENTOS

04



CR-04 SQUEEGEE CONTROL ASSEMBLY

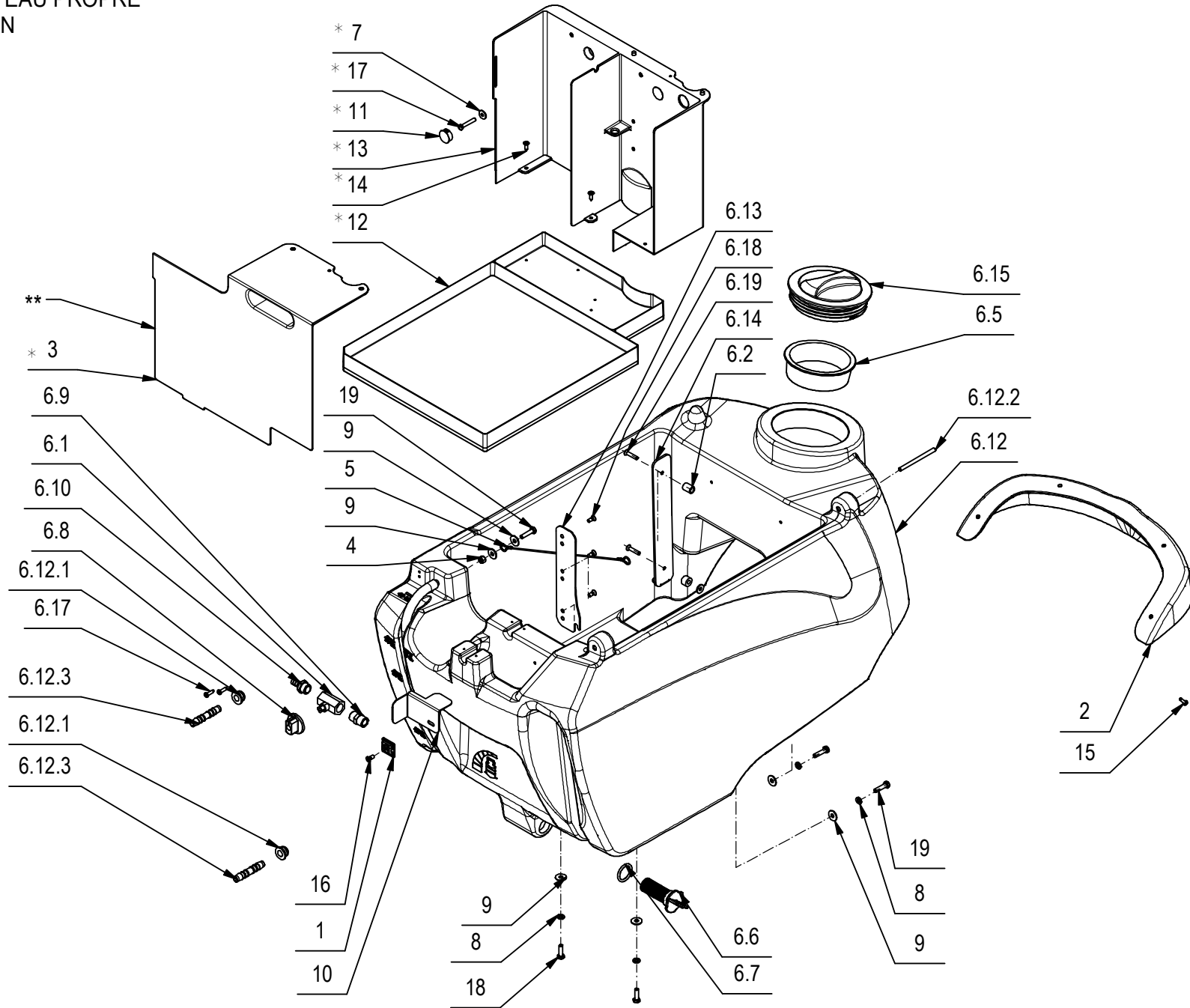
04

-	POS	TECHNICAL NEWS	SERIAL NUMBER	CODICE	QTÀ	DESCRIZIONE	DESCRIPTION	DESIGNATION	DESCRPCIÓN
	32			435518	1	SUPP. COPERTURA COMANDO TERGI MX ACCIAIO	SUPPORT	SUPPORT	SOPORTE
	33			408506	4	VITE D.5X20 AUTOF. POLI LOCK	SCREW	VIS	TORNILLO
	34			408834	2	VITE M3X20 UNI 7687 ZINC	SCREW M3X20 UNI 7687 ZINC	VIS	TORNILLO
	35			407670	1	VITE M6x25 TE UNI 5739 A2	SCREW	VIS	TORNILLO
	36			408657	2	VITE M6X50 TE UNI 5739 A2	SCREW	VIS	TORNILLO
	37			408674	1	VITE M8x25 UNI 5739 ZINC	SCREW M8x25 UNI 5739 ZINC	VIS	TORNILLO
	38			408695	2	VITE M8x45 TE UNI 5739 A2	SCREW	VIS	TORNILLO
	39			408705	1	VITE M8X80 TE UNI 5737 FP A2	SCREW	VIS	TORNILLO
	40			400112	2	VOLANTINO LOBATO PASSANTE V/40/PS M8	HANDWHEEL	VOLANT	RUEDA DE MANIOBRA

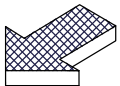
CR-06 SOLUTION TANK ASSEMBLY

GRUPE DE RESERVOIRE EAU PROPRE

GRUPO TANQUE SOLUCION



* FOR BATTERY ONLY
 ** NOT USED ON MMX ACTION



CR-06 SOLUTION TANK ASSEMBLY

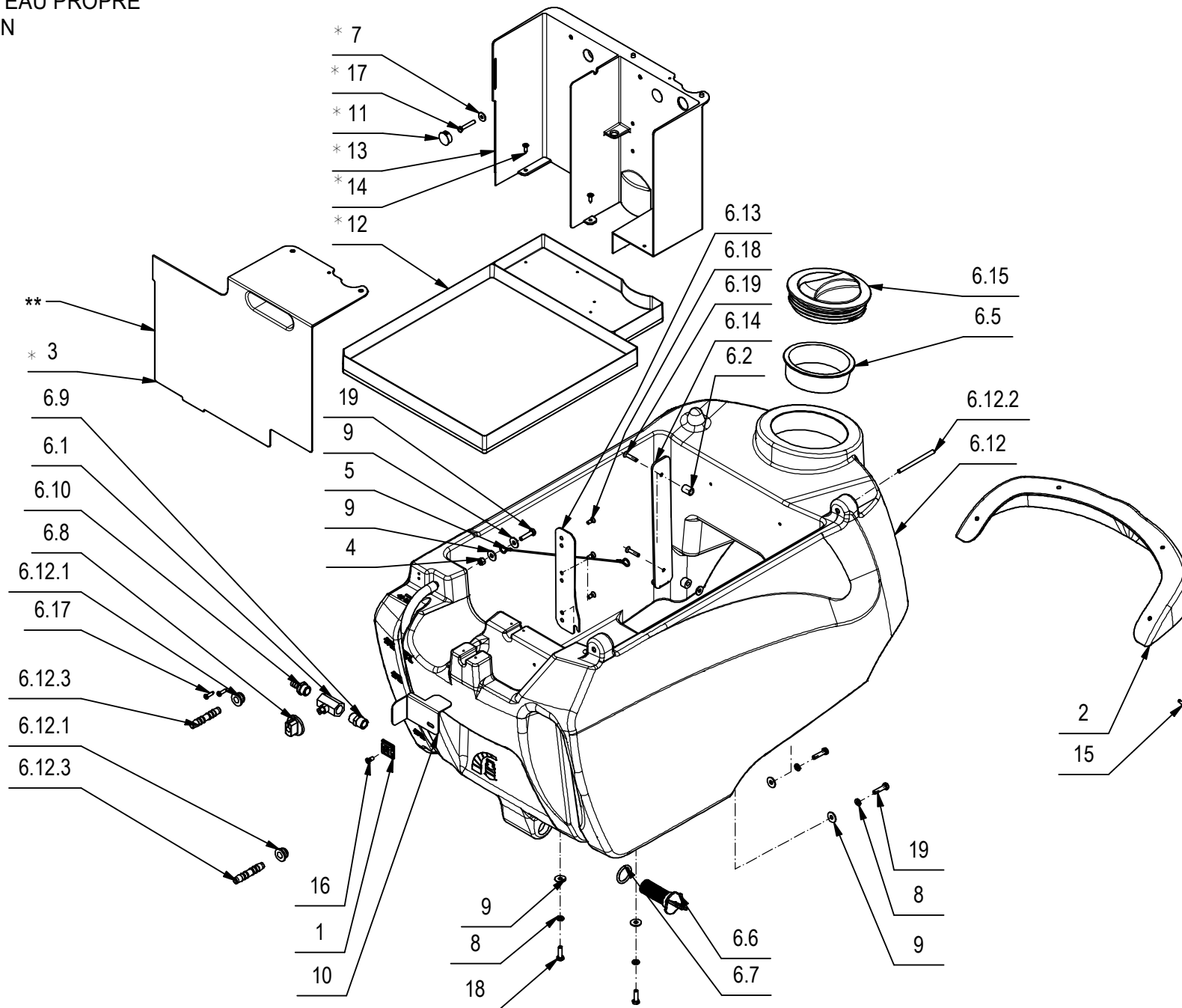
06

-	POS	TECHNICAL NEWS	SERIAL NUMBER	CODICE	QTÀ	DESCRIZIONE	DESCRIPTION	DESIGNATION	DESCRIPCIÓN
	1			410327	1	BASSETTA ADES. FISSA FASCETTE ABM 25-A-C	SUPPORT PLATE	PLAQUE SUPPORT	PLACA SOPORTE
	2			427610	1	CARTER ANTERIORE MMX	COVER	CARTER	CARTER
	3			428435	1	COPERCHIO VANO POMPE MMX	COVER	COUVERCLE	TAPA
	4			409039	1	DADO M6x6 UNI 5587 ZINC	NUT M6x6 UNI 5587 ZINC	ECROU	TUERCA
	5			426394	1	FUNE D.2X310 CON OCCHIELLI FISS. MX-SMX	CABLE	CABLE	CUERDA
↓	6			217040	1	PREM. SERBATOIO SOLUZIONE MMX RAL 7016	TANK	TANQUE	RESERVOIR
↑	6.1			410332	1	CORPO RUBINETTO 3/8 FORO FIL. M5	COCK	ROBINET	GRIFO
↑	6.2			427680	1	DISTANZIALE D=12 d=8,4 S=16 NYLON	SPACER	ENTRETOISE	DISTANCIADOR
↑	6.3			414688	1	DISTANZIALE D=15 d=6,5 S=10 PVC	SPACER	ENTRETOISE	DISTANCIADOR
↑	6.4			410292	1	FASCETTA A VITE 11/17 ABA	HOSE CLAMP 11/17 ABA	COLLIER A VIS 11/17 ABA	ABRAZADERA DE TORNILLO 11/17 ABA
↑	6.5			405416	1	FILTRO A TAZZA De118 Di108 H40	FILTER	FILTRE	FILTRO
↑	6.6			222092	1	FILTRO D=23 H=53 TAPPO 3/4 CON GALLETTA	FILTER	FILTRE	FILTRO
↑	6.7			424451	1	GUARNIZIONE OR 4100 SILICONE	O-RING	JOINT	JUNTA ANULAR
↑	6.8			400332	1	MANOPOLA RUBINETTO	KNOB	POIGNEE	EMPUÑADURA
↑	6.9			410431	1	NIPPLO MM 3/8"-3/8" OTTONE FILET. CONICO	NIPPLE	RACCORD	BOQUILLA ROSCADA
↑	6.10			428011	1	PORTAGOMMA DIRITTO 3/8"M D.10 (OTTONE)	CONNECTOR	RACCORD	EMPALME TUBO DE GOMA
↑	6.11			409152	1	RONDELLA D15 UNI 6593 AISI	WASHER D15 UNI 6593 AISI	RONDELLE	ARANDELA
↑↓	6.12			437600	1	SERBATOIO SOLUZIONE MMX RAL 7016	SOLUTION TANK	RESERVOIR EAU PROPRE	TANQUE SOLUCION
↑↑	6.12.1			427741	2	GUARNIZIONE D=22 d=11 L=12,5 TIPO PWS10	FAIRLEAD	PASSE-CABLE	GUIACABLE
↑↑	6.12.2			217062	1	PERNO SERBATOI MMX	PIN	AXE	PERNO
↑↑	6.12.3			427742	2	RACCORDO DIRITTO NORMAPLAST GS 10	FITTING	RACCORD	RACOR
↑	6.13			217089	1	STAFFA FERMO BASAMENTO MMX	SUPPORT	ATTAQUE	SOPORTE FIJADOR
↑	6.14			217245	1	STAFFA SERBATOIO MMX	SUPPORT	ATTAQUE	SOPORTE FIJADOR
↑	6.15			400728	1	TAPPO FILETT. D.130 FIL. D.127 PER E9719	THREADED COVER	COUVERCLE FILETE	TAPA FILETE
↑	6.16			217074	1	TUBO VITREO LIV.H2O MMX D=15 d=10 L=496	PIPE	TUBE	TUBO
↑	6.17			408881	2	VITE D.4,2x16 AUTOF. UNI 6954	SCREW	VIS	TORNILLO
↑	6.18			415750	3	VITE M5X12 TSPTC UNI 7688 (4.8) ZINC.	SCREW	VIS	TORNILLO
↑	6.19			408960	2	VITE M5X25 TPSEI UNI 5933 A2	SCREW	VIS	TORNILLO
	7			409151	2	RONDELLA 5,5x15x1.5 UNI 6593 ZINC	WASHER 5,5x15x1.5 UNI 6593 ZINC	RONDELLE	ARANDELA
	8			409164	4	RONDELLA D11,8 UNI 1751 ZINC	WASHER D11,8 UNI 1751 ZINC	RONDELLE FREIN	ARANDELLA DENTADA
	9			409160	6	RONDELLA D18 UNI 6593 ZINC	WASHER D18 UNI 6593 ZINC	RONDELLE	ARANDELA
	10			217291	1	STAFFA FERMO LEVA ATT.TERGI	SUPPORT	ATTAQUE	SOPORTE FIJADOR
	11			409829	2	TAPPO A SCATTO D.20,6 HEYCO	COVER	COUVERCLE	TAPA
	12			428433	1	VANO BATTERIE MMX	BATTERY BASE	BAC LOGEMENT BATTERIES	PLACA ASIENTO BATERIAS
	13			428434	1	VANO POMPE MMX	SUPPORT PUMP	SUPPORT POMPE	SOPORTE BOMBA

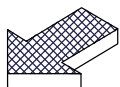
CR-06 SOLUTION TANK ASSEMBLY

GRUPE DE RESERVOIRE EAU PROPRE

GRUPO TANQUE SOLUCION



* FOR BATTERY ONLY
 ** NOT USED ON MMX ACTION



CR-06 SOLUTION TANK ASSEMBLY

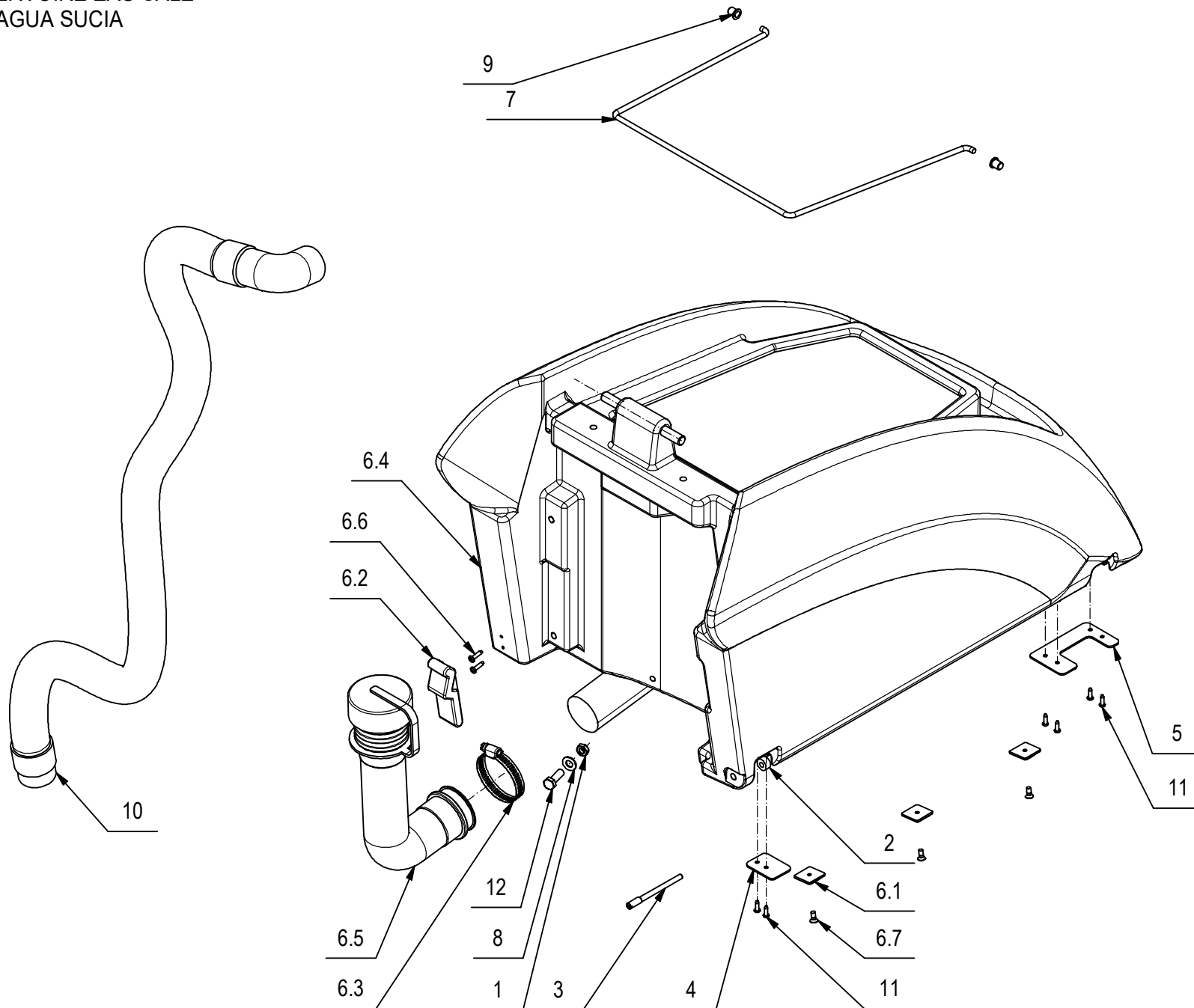
06

-	POS	TECHNICAL NEWS	SERIAL NUMBER	CODICE	QTÀ	DESCRIZIONE	DESCRIPTION	DESIGNATION	DESCRPCIÓN
	14			408954	5	VITE D.4,2X16 TPSTC ZINC	LOCK SCREW 4.2X16	VIS AUTOBLOQUANT 4.2X16	TORNILLO AUTOBLOCANTE 4.2X16
	15			408846	4	VITE M4X16 UNI 7687 ZINC	SCREW M4X16 UNI 7687 ZINC	VIS	TORNILLO
	16			415750	1	VITE M5X12 TSPTC UNI 7688 (4.8) ZINC.	SCREW	VIS	TORNILLO
	17			415716	2	VITE M5x30 TE UNI 5739 ZINC	SCREW	VIS	TORNILLO
	18			407666	2	VITE M6X20 UNI 5739 ZINC	SCREW M6X20 UNI 5739 ZINC	VIS	TORNILLO
	19			407669	3	VITE M6x25 TE UNI 5739 ZINC	SCREW	VIS	TORNILLO

CR-07 RECOVERY TANK ASSEMBLY

GROUPE DE RESERVOIRE EAU SALE

GRUPO TANQUE AGUA SUCIA



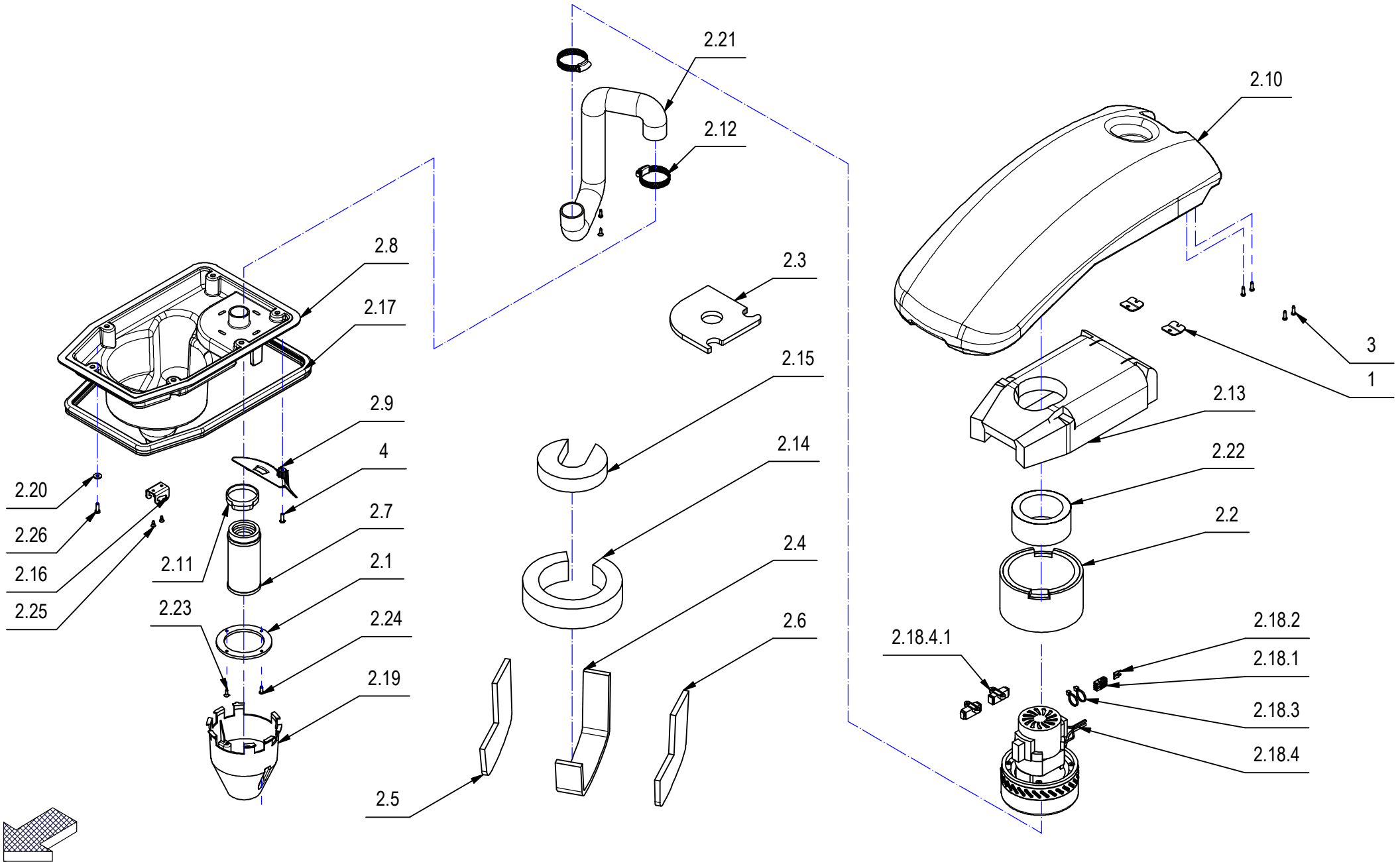
CR-07 RECOVERY TANK ASSEMBLY

07

-	POS	TECHNICAL NEWS	SERIAL NUMBER	CODICE	QTÀ	DESCRIZIONE	DESCRIPTION	DESIGNATION	DESCRIPCÓN
	1			409054	1	DADO M8x5 UNI 5589 ZINC	NUT M8x5 UNI 5589 ZINC	ECROU	TUERCA
	2			414689	1	DISTANZIALE D=15 d=6,5 S=7,5 PVC	SPACER	ENTRETOISE	DISTANCIADOR
	3			217063	1	PERNO FILETTATO SERBATOIO MMX	PIN	AXE	PERNO
	4			427738	1	PIASTRA FISSAGGIO PERNO FILET. MMX	PLAQUE	PLAQUETTE	PLAQUETA
	5			427739	1	PIASTRA FISSAGGIO PERNO ROTAZIONE MMX	PLAQUE	PLAQUETTE	PLAQUETA
↓	6			229582	1	PREM. SERBATOIO RECUPERO MMX RAL 7016	RECOVERY TANK	RESERVOIR EAU SALE	TANQUE AGUA SUCIA
↑	6.1			410327	3	BASETTA ADES. FISSA FASCETTE ABM 25-A-C	SUPPORT PLATE	PLAQUE SUPPORT	PLACA SOPORTE
↑	6.2			416187	1	CHIUSURA A LEVA MOD. C7-10	HINGE	CHARNIERE	BISAGRA
↑	6.3			416173	1	FASCETTA A VITE 40-64	CLAMP	COLLIER	ABRAZADERA
↑	6.4			451317	1	SERBATOIO RECUPERO MMX COMPLETO RAL 7016	RECOVERY TANK	RESERVOIR EAU SALE	TANQUE AGUA SUCIA
↑	6.5			426382	1	TUBO SCARICO FLEX 2,5X MX	EXHAUST PIPE	FLEXIBLE DE VIDANGE	TUBO DE DESCARGA
↑	6.6			408881	2	VITE D.4,2x16 AUTOF. UNI 6954	SCREW	VIS	TORNILLO
↑	6.7			415750	3	VITE M5X12 TSPTC UNI 7688 (4.8) ZINC.	SCREW	VIS	TORNILLO
	7			434383	1	PUNTELLO COPER. ASPIR. MX-SMX	PROP FOR COVER	LEVIER DE COUVERCLE	PUNTAL CAPOTE
	8			409188	1	ROSETTA 9x18x1,5 ZINC	WASHER	RONDELLE	ARANDELA
	9			434318	2	TAPPO D=12,9 d=9,2 L=11,5 TRASPARENTE	PLUG	BOUCHON	TAPON
	10			432150	1	TUBO DIAM. 38X1310 SPIRALATO CON GOMITO	SUCTION HOSE	FLEXIBLE ASPIRATION	TUBO DE ASPIRACION
	11			408871	6	VITE D.3.9x13 AUTOF. NICH UNI 6954	SCREW	VIS	TORNILLO
	12			408674	1	VITE M8x25 UNI 5739 ZINC	SCREW M8x25 UNI 5739 ZINC	VIS	TORNILLO

CR-08 INTAKE MOTOR GROUP (VERSION 24V 410W H1200 2ST PERIF.)

UNITÉ MOTEUR D'ASPIRATION
 UNIDAD MOTOR DE ASPIRACIÓN



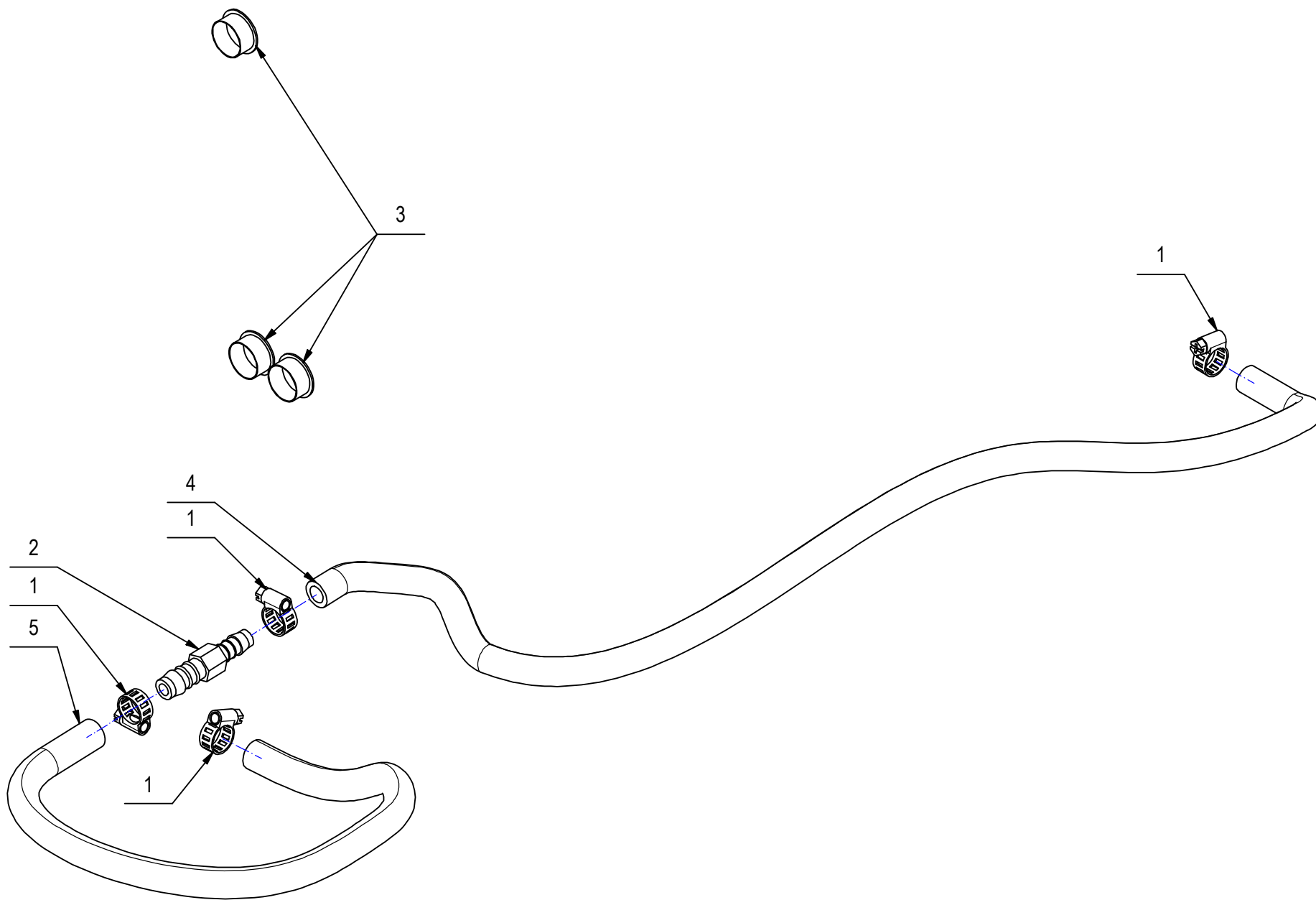
CR-08 INTAKE MOTOR GROUP (VERSION 24V 410W H1200 2ST PERIF.)

08

-	POS	TECHNICAL NEWS	SERIAL NUMBER	CODICE	QTÀ	DESCRIZIONE	DESCRIPTION	DESIGNATION	DESCRIPCIÓN
	1			426314	2	PIASTRINA FISSAGGIO PERNO ROTAZIONE	PLAQUE	PLAQUETTE	PLAQUETA
↓	2			216558	1	PREM. COPERCHIO ASPIRAZIONE MMX-MX-SMX	COVER ASSEMBLY	COUVERCLE COMPLET	TAPA COMPLETO
↑	2.1			426884	1	ANELLO RINFORZO ALETTE GALLEGGIANTE	COMPENSATOR RING	ANNEAU DE COMPENSATEUR	ANILLO DE COMPENSADOR
↑	2.2			420025	1	ANTIROMBO 123.5X155 H85 MOT ASPIRAZ. M17	ANTIINOISE 123.5X155 H85	ANTIBRUIT 123.5X155 H85	ANTIRUIDO 123.5X155 H85
↑	2.3			426337	1	ANTIROMBO LISCIO ADES 146X146 H10 - MAXI	DEADENING	ISOLANT PHONIQUE	FONOABSORBENTE
↑	2.4			426336	1	ANTIROMBO LISCIO ADES. 368X50 H10 - MAXI	DEADENING	ISOLANT PHONIQUE	SCHALLDICHTUNG
↑	2.5			426335	1	ANTIROMBO LISCIO ADES. H10 DX - MAXIMA	DEADENING	ISOLANT PHONIQUE	FONOABSORBENTE
↑	2.6			426334	1	ANTIROMBO LISCIO ADES. H10 SX - MAXIMA	DEADENING	ISOLANT PHONIQUE	FONOABSORBENTE
↑	2.7			412363	1	ASSIEME FILTRO A CARTUCCIA D=60 H=130	FILTER ASSEMBLY	FILTRE COMPLET	FILTRO COMPLETO
↑	2.8			426312	1	CARTER MOTORE ASPIRAZIONE MX	COVER	CARTER	CARTER
↑	2.9			426872	1	CONVOGLIATORE ACQUA MX	SUPPORT	SUPPORT	SOPORTE
↑	2.10			426311	1	COPERCHIO ASPIRAZIONE MMX-MX-SMX	COVER	COUVERCLE	TAPA
↑	2.11			411988	1	FASCETTA A SCATTO	CLAMP	COLLIER	ABRAZADERA
↑	2.12			420512	2	FASCETTA A VITE 27/51x12,6 INOX	SCREW CLAMP	COLLIER VIS	ABRAZADERA A TORNILLO
↑	2.13			426341	1	FONOAS. BUGNATO ADES. 274X375 H30 - MAXI	DEADENING	ISOLANT PHONIQUE	FONOABSORBENTE
↑	2.14			426340	1	FONOAS. BUGNATO ADES. 45X420 H30	DEADENING	ISOLANT PHONIQUE	FONOABSORBENTE
↑	2.15			426339	1	FONOAS. BUGNATO ADES. D.130 H30 - MAXI	DEADENING	ISOLANT PHONIQUE	FONOABSORBENTE
↑	2.16			429952	1	GANCIO FERMO COFANO ASPIRAZIONE	HOOK	CROCHET	GANCHO
↑	2.17			221276	1	GUARNIZIONE CALOTTA ASPIR. MMX-MX-SMX	PROFILE	PROFIL	PERFIL
↑↓	2.18			219723	1	PREM. MOT. ASP. 24V 310W H950 PERIF. 2ST	SUCTION MOTOR	MOTEUR D'ASPIRATION	MOTOR DE ASPIRACION
↑↑	2.18.1			409660	2	CONNETTORE 30A ROSSO M/F	CONNECTOR	CONNECTEUR	CONECTOR
↑↑	2.18.2			409661	2	CONTATTO CONNETT. ANDERS. 30A	CONTACT	CONTACT	CONTACTO
↑↑	2.18.3			410274	2	FASCETTA PLASTICA 2.5x98	CLAMP 2.5x98	COLLIER	ABRAZADERA
↑↑↓	2.18.4			430959	1	MOT. ASP. 24V 410W H1200 2ST S711267	SUCTION MOTOR	MOTEUR D'ASPIRATION	MOTOR DE ASPIRACION
↑↑↑	2.18.4.1			424210	2	SPAZZOLE MOTORE ASP. A471 EMB (11,2X71)	CARBON BRUSH MOTOR	CHARBON MOTEUR	ESCOBILLA MOTOR
↑	2.19			400727	1	PROTEZIONE GALLEGGIANTE	FLOAT PROTECTION	FLOTTEUR PROTECTION	PROTECCION FLOTADOR
↑	2.20			409152	5	RONDELLA D15 UNI 6593 AISI	WASHER D15 UNI 6593 AISI	RONDELLE	ARANDELA
↑	2.21			218330	1	TUBO ASPIRAZIONE D=38 L=550	SUCTION HOSE	FLEXIBLE ASPIRATION	TUBO DE ASPIRACION
↑	2.22			216250	1	TUBO FONOASSORBENTE D.110 d.80 H.50	DEADENING HOSE	TUYAU ISOLANT PHONIQUE	TUBO FONOABSORBENTE
↑	2.23			431501	2	VITE AUT. 4.2X16 TSPTC - RAPID-FIX - A2	SCREW	VIS	TORNILLO
↑	2.24			408879	2	VITE D.4,2x13 AUTOF. UNI 6954 A2	SCREW	VIS	TORNILLO
↑	2.25			415747	2	VITE M4X10 TSBTC UNI 7689 A2	SCREW	VIS	TORNILLO
↑	2.26			407646	5	VITE M5x16 TE UNI 5739 A2	SCREW	VIS	TORNILLO
	3			431503	4	VITE AUT. 4.2X16 TCTC - UNI 6954 - A2	SCREW	VIS	TORNILLO
	4			415849	1	VITE M5X16 TCBEI ISO 7380 A2	SCREW	VIS	TORNILLO

CR-09 WATER UNIT
GROUPE HYDRIQUE
GRUPO AGUA

09



CR-09 WATER UNIT

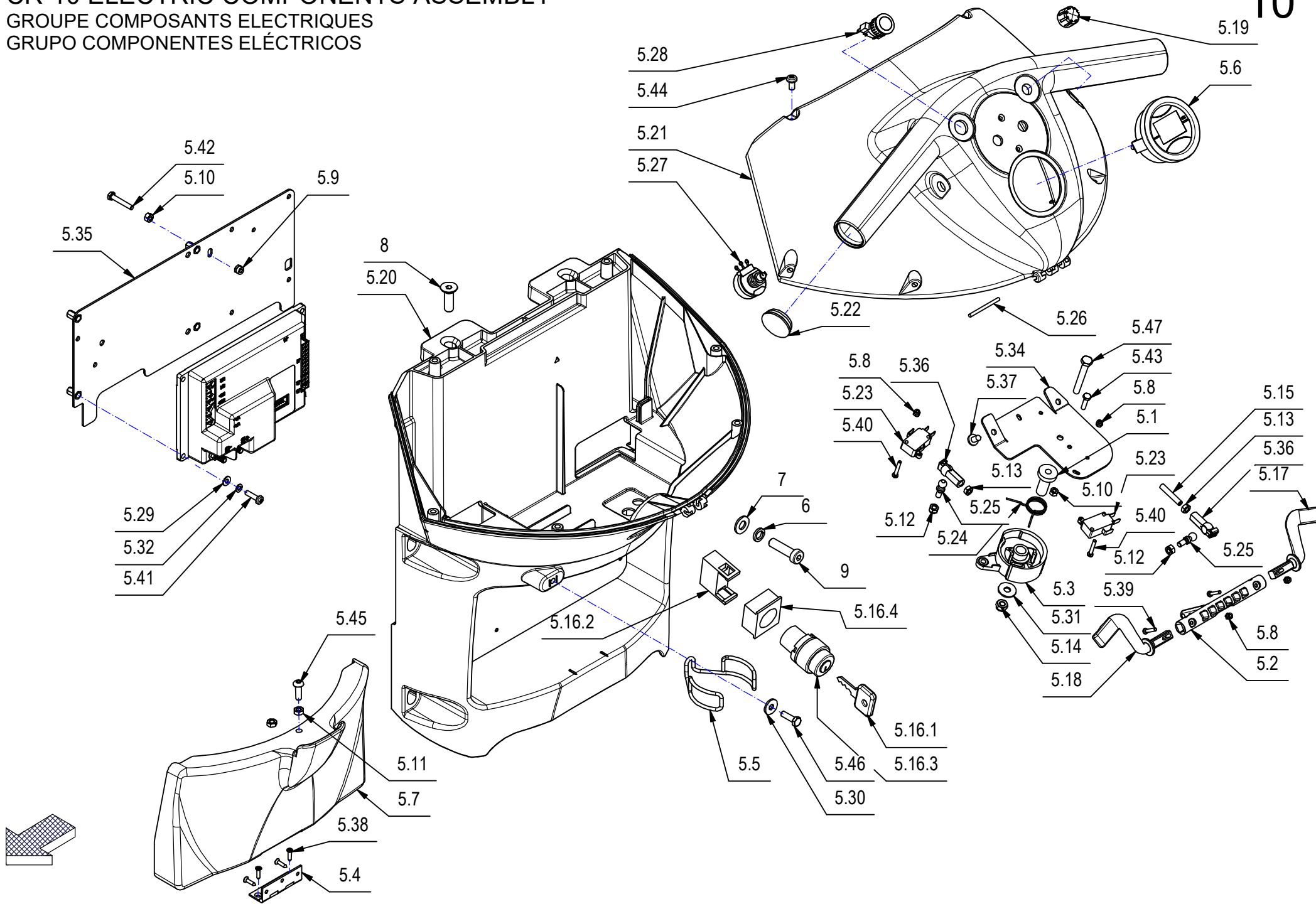
09

-	POS	TECHNICAL NEWS	SERIAL NUMBER	CODICE	QTÀ	DESCRIZIONE	DESCRIPTION	DESIGNATION	DESCRPCIÓN
	1			410292	4	FASCETTA A VITE 11/17 ABA	HOSE CLAMP 11/17 ABA	COLLIER A VIS 11/17 ABA	ABRAZADERA DE TORNILLO 11/17 ABA
	2			434520	1	RACCORDO GIUNZIONE GRS D=12-10 d=7 L=64	FITTING	RACCORD	RACOR
	3			409843	3	TAPPO COPRIFORO HEYCO D.22	CAP	CAPUCHON	TAPON
	4			219350	1	TUBO D=10 L=705 SPIRALATO	PIPE	TUBE	TUBO
	5			227672	1	TUBO SPIRALATO D=12 L=350	PIPE	TUBE	TUBO

CR-10 ELECTRIC COMPONENTS ASSEMBLY

GRUPE COMPOSANTS ELECTRIQUES
GRUPO COMPONENTES ELÉCTRICOS

10



CR-10 ELECTRIC COMPONENTS ASSEMBLY

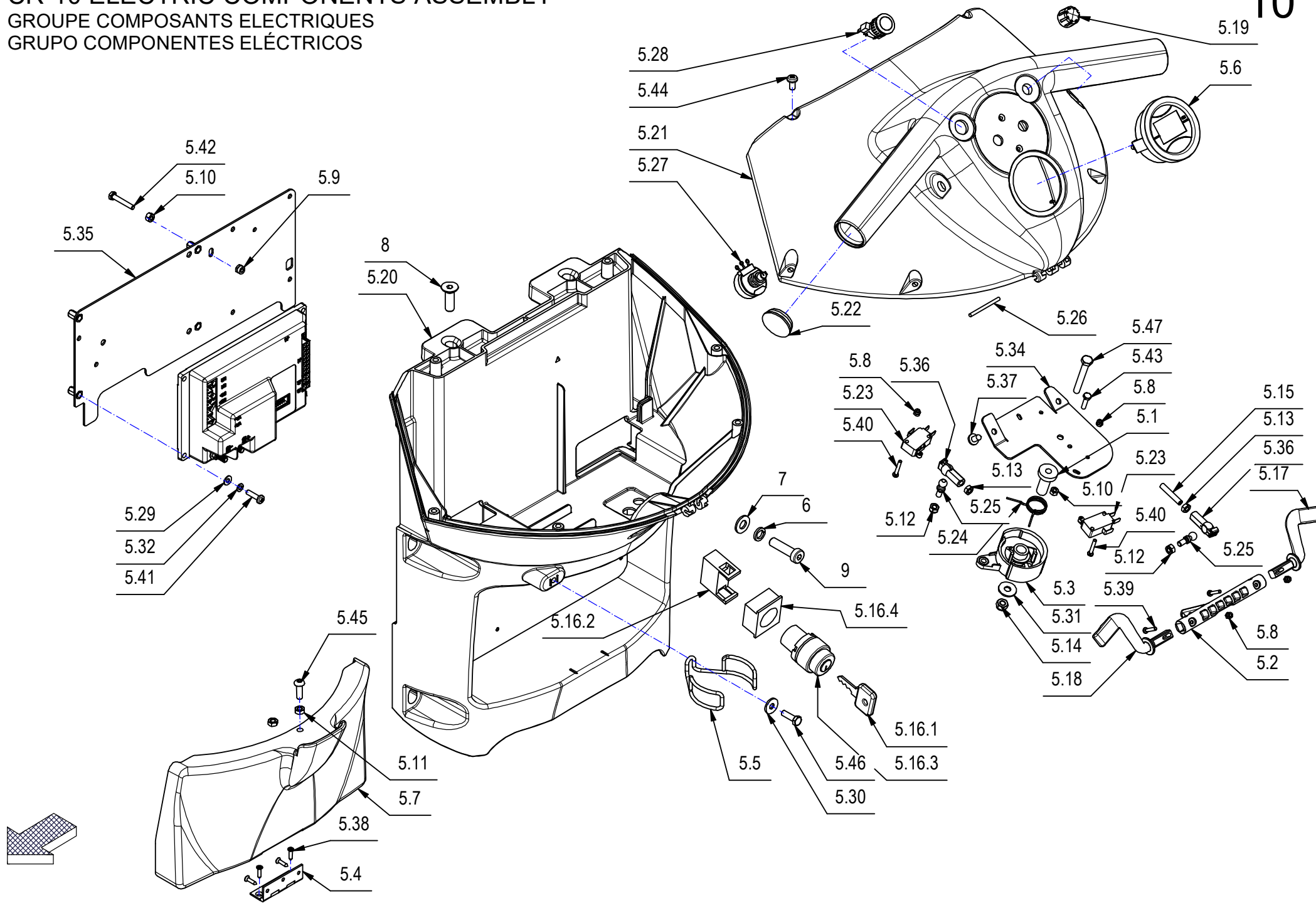
10

-	POS	TECHNICAL NEWS	SERIAL NUMBER	CODICE	QTÀ	DESCRIZIONE	DESCRIPTION	DESIGNATION	DESCRIPCION
	1			436401	1	CAVO PONTE BATT. FUSIB. 80A+MORS. L=395	CABLE	CABLE	CABLE
	2			440074	1	KIT CAVI BASE	CABLE ASSEMBLY	GROUPE CABLE	GRUPO CABLE
	3			440075	1	KIT CAVI TRAZIONE	CABLE ASSEMBLY	GROUPE CABLE	GRUPO CABLE
	4			440076	1	KIT CAVO CALOTTA ASPIRAZIONE	CABLE ASSEMBLY	GROUPE CABLE	GRUPO CABLE
↓	5			224238	1	PREM. MANUBRIO MMX BT 2014	ELECTRIC COMPONENTS	COMPOSANTS ELECTRIQUES	COMPONENTES ELECTRICOS
↑	5.1			210183	1	BOCCOLA D=19-10 d=6 S=31,2 AVP	BUSHING	BAGUE	CASQUILLO
↑	5.2			426351	1	CAMMA COMANDO MARCIA MMX-MX-SMX	CAM	CAME	LEVA
↑	5.3			400678	1	CAMMA DENTATA	CAM WHEEL	CAME	LEVA DENTADA
↑	5.4			426880	1	CERNIERA 30X50 H4 BRONZATA (KOMFERUT)	HINGE	CHARNIERE	BISAGRA
↑	5.5			435581	1	CLIP TUBO SCARICO D=50	SPRING	RESSORT	RESORTE
↑	5.6			440063	1	CONTAORE CON INDICATORE BATTERIA NE306	HOUR METER AND BDI NE306	COMPTEUR HORAIRE	CUENTAHORAS
↑	5.7			426347	1	COPERCHIO CARICABATTERIA MMX-MX	COVER	COUVERCLE	TAPA
↑	5.8			409077	6	DADO M3x4,5 UNI 7474 ZINC	NUT M3x4,5 UNI 7474 ZINC	ECROU AUTOFREINES	TUERCA AUTOBLOCANTE
↑	5.9			415898	1	DADO M4 AUTOBL UNI7474	LOCK NUT M4 UNI7474	ECROU AUTOBLOQUANT	TUERCA AUTOBLOCANTE
↑	5.10			409034	2	DADO M4x4 UNI 5587 ZINC	NUT	ECROU	TUERCA
↑	5.11			430407	2	DADO M5 UNI 5589 BASSO A2	NUT	ECROU	TUERCA
↑	5.12			416781	2	DADO M5X5 UNI 7473 ZINC	NUT M5X5 UNI 7473 ZINC	ECROU AUTOFREINES	TUERCA AUTOBLOCANTE
↑	5.13			409038	2	DADO M5x3,5 UNI 5589 ZINC	LOCK NUT	ECROU AUTOFREINES	TUERCA AUTOBLOCANTE
↑	5.14			409082	1	DADO M6 UNI 7474 ZINC	NUT M6 UNI 7474 ZINC	ECROU AUTOFREINES	TUERCA AUTOBLOCANTE
↑	5.15			415811	1	GRANO M5x30 UNI 5925 PIANO	DOWEL	VIS CYLINDRIQUE	TORNILLO
↑↓	5.16			210516	1	INTERRUTTORE A CHIAVE ELFI D.22 COMPLETO	SWITCH	INTERRUPTEUR	INTERRUPTOR
↑↑	5.16.1			409297	1	CHIAVE INTERRUTTORE	KEY	CLEF	LLAVE
↑↑	5.16.2			409246	1	CONTATTO PER INTERRUTTORE A CHIAVE	CONTACT FOR SWITCH	CONTACT INTERRUPT.	CONTACTO INTERR.
↑↑	5.16.3			409261	1	CORPO INTERRUTTORE A CHIAVE	SWITCH BODY	CORPS INTERRUPTEUR	CUERPO INTERRUPTOR
↑↑	5.16.4			409262	1	FLANGIA CONTATTO INTERRUTTORE A CHIAVE	FLANGE	FLASQUE	BRIDA
↑	5.17			426345	1	LEVA COMANDO MARCIA DX MMX-MX-SMX	LEVER	LEVIER	PALANCA
↑	5.18			426344	1	LEVA COMANDO MARCIA SX MMX-MX-SMX	LEVER	LEVIER	PALANCA
↑	5.19			440311	1	MANOPOLA POTENZIOMETRO MMX 2014	KNOB	POIGNEE	EMPUÑADURA
↑	5.20			432758	1	MANUBRIO MX-MMX 2011 - INFERIORE	LOWER HANDLE BAR	TIMON INFERIEUR	MANILLAR INFERIOR
↑	5.21			432759	1	MANUBRIO MX-MMX 2011 - SUPERIORE	UPPER HANDLE BAR	TIMON SUPERIEUR	MANILLAR SUPERIOR
↑	5.22			432760	2	MANUBRIO MX-MMX 2011 - TAPPO	CAP	CAPUCHON	TAPON
↑	5.23			409491	2	MICROINT.10A 3X22 C/ROTEL 4.8 V5C010FB3D	LIMIT SWITCH 10A 3X22 4.8 V5C010F	MICROINTERRUPTEUR	MICROINTERRUPTOR
↑	5.24			408131	1	MOLLA A FLESSIONE D=1.3	SPRING	RESSORT	RESORTE
↑	5.25			203279	2	PERNO A SFERA M5	PIN	AXE	PERNO
↑	5.26			434083	1	PERNO CERNIERA MANUBRIO D=3 L=37 INOX	PIN	AXE	PERNO
↑	5.27			428665	1	POTENZIOMETRO 2.5 KOHM (ALBERO L=6,35)	POTENTIOMETER	POTENTIOMETRE	POTENCIOMETRO

CR-10 ELECTRIC COMPONENTS ASSEMBLY

GRUPE COMPOSANTS ELECTRIQUES
GRUPO COMPONENTES ELÉCTRICOS

10



CR-10 ELECTRIC COMPONENTS ASSEMBLY

10

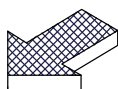
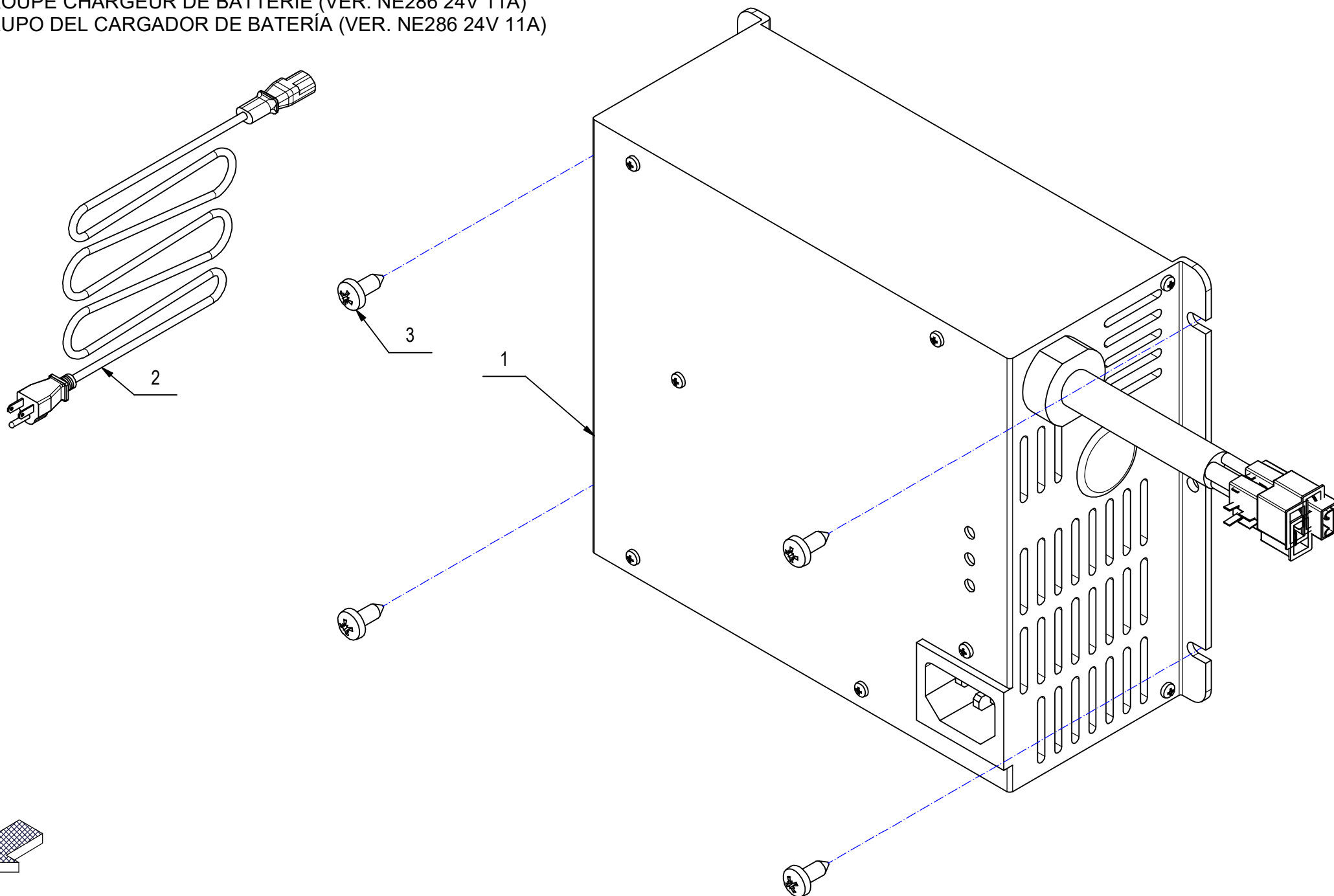
-	POS	TECHNICAL NEWS	SERIAL NUMBER	CODICE	QTÀ	DESCRIZIONE	DESCRIPTION	DESIGNATION	DESCRIPCIÓN
↑	5.28			428981	1	PULSANTE SPCO 250V-5A+MICROINTER.	PUSH BUTTON	BOUTON POUSSOIR	PULSADOR
↑	5.29			409142	4	RONDELLA 4x9x0,8 UNI 6592 ZINC	WASHER 4x9x0,8 UNI 6592 ZINC	RONDELLE	ARANDELA
↑	5.30			409151	1	RONDELLA 5,5x15x1.5 UNI 6593 ZINC	WASHER 5,5x15x1.5 UNI 6593 ZINC	RONDELLE	ARANDELA
↑	5.31			409160	1	RONDELLA D18 UNI 6593 ZINC	WASHER D18 UNI 6593 ZINC	RONDELLE	ARANDELA
↑	5.32			415941	4	RONDELLA D7,6 UNI1751 ZINC	WASHER D7,6 UNI1751 ZINC	RONDELLE FREIN	ARANDELLA DENTADA
↑	5.33			438057	1	SCHEDA FUNZIONI 7CFS1010	CHECK CARD CONTROLS	PLAQUE CONTR. COMMANDES	FICHA CONTROL MANDOS
↑	5.34			221122	1	STAFFA COMANDO MARCIA MMX 2011	SUPPORT	ATTAQUE	SOPORTE FIJADOR
↑	5.35			440052	1	STAFFA SUPP. SCHEDE MMX 2014	SUPPORT	ATTAQUE	SOPORTE FIJADOR
↑	5.36			410316	2	TESTINA REGISTRABILE M5	ADJUSTABLE HEAD	TETE REGLABLE	CABEZA AJUSTABLE
↑	5.37			408507	2	VITE AUT. 5.5x13 UNI 6954 A2	SCREW	VIS	TORNILLO
↑	5.38			426881	4	VITE AUTOF. 3x12 TPSTC DIN 7505 ZINC	SCREW	VIS	TORNILLO
↑	5.39			408833	2	VITE M3X16 TCTC UNI 7687 A2	SCREW	VIS	TORNILLO
↑	5.40			408834	4	VITE M3X20 UNI 7687 ZINC	SCREW M3X20 UNI 7687 ZINC	VIS	TORNILLO
↑	5.41			408846	4	VITE M4X16 UNI 7687 ZINC	SCREW M4X16 UNI 7687 ZINC	VIS	TORNILLO
↑	5.42			408635	1	VITE M4X25 TE UNI 5739 ZINC	SCREW M4X25 TE UNI 5739 ZINC	VIS	TORNILLO
↑	5.43			408639	1	VITE M4x16 TE UNI 5739 ZINC	SCREW	VIS	TORNILLO
↑	5.44			408848	6	VITE M5X10 UNI 7687 AISI	SCREW M5X10 UNI 7687 AISI	VIS	TORNILLO
↑	5.45			415849	1	VITE M5X16 TCBEI ISO 7380 A2	SCREW	VIS	TORNILLO
↑	5.46			407645	1	VITE M5X16 UNI 5739 ZINC	SCREW M5x10 UNI 7687 ZINC	VIS	TORNILLO
↑	5.47			415723	1	VITE M6X45 TE UNI 5737 ZINC	SCREW	VIS	TORNILLO
6				409181	4	RONDELLA D13 UNI 1751 ZINC	LOCK WASHER D13 UNI 1751 ZINC	RONDELLE FREIN	ARANDELLA DENTADA
7				409175	4	RONDELLA D17 UNI 6592 ZINC.	WASHER D17 UNI 6592 ZINC.	RONDELLE M8 UNI 6592 ZINC	ARANDELA M8 UNI 6592 ZINC
8				408993	2	VITE M8x25 TPSEI UNI 5933 A2	SCREW	VIS	TORNILLO
9				408821	4	VITE M8x30 TCEI DIN 7984 T.BASSA A2	SCREW	VIS	TORNILLO

CR-12 GROUP BATTERY CHARGER (VER. NE286 24V 11A)

GROUPE CHARGEUR DE BATTERIE (VER. NE286 24V 11A)

GRUPO DEL CARGADOR DE BATERÍA (VER. NE286 24V 11A)

12



CR-12 GROUP BATTERY CHARGER (VER. NE286 24V 11A)

12

-	POS	TECHNICAL NEWS	SERIAL NUMBER	CODICE	QTÀ	DESCRIZIONE	DESCRIPTION	DESIGNATION	DESCRPCIÓN
	1			437657	1	CARICABATTERIE NE 286 24V 11A	BATTERY CHARGER 24V 11A	CHARGEUR DE BATTERIES	CARGA DE BATERIAS
	2			421359	1	CAVO SJT 3x18AWG 105° VW-1L=2M.SPINA USA	BATTERY CHARGER CABLE	CÂBLE CHARGEUR DE BATTERIE	CABLE CARGADOR DE BATERÍA
	3			408870	4	VITE D.3,9x10 AUTOF. NICH UNI 6954	SCREW	VIS	TORNILLO

CR-16 GROUP DECAL

GROUPES DE ETIQUETTE
GRUPOS ETIQUETA



460394



460395

ATTENZIONE!
La batteria emette gas di scarico infiammabile. Non può realizzare un incendio o un'esplosione. Evitare anche la fiamma. Evitare l'uso prolungato. Evitare l'uso prolungato. Evitare l'uso prolungato. Evitare l'uso prolungato.

ATTENTION!
Battery emits flammable hydrogen gas. Explosion or fire can result. Keep sparks and open flame away when charging.

¡ATENCIÓN!
Las baterías emiten gas hidrógeno inflamable. Puede producirse un incendio o una explosión. Evitar las chispas y el fuego. Evitar el uso prolongado. Evitar el uso prolongado.

ATTENTION!
Die Batterie emittiert gas inflammabil. Kann ein Brand oder eine Explosion verursachen. Vermeiden Sie Funken und offenes Feuer. Vermeiden Sie den Einsatz der Batterie über längere Zeiträume. Vermeiden Sie den Einsatz der Batterie über längere Zeiträume.

ACHTUNG!
Die Batterie emittiert gas inflammabil. Kann ein Brand oder eine Explosion verursachen. Vermeiden Sie Funken und offenes Feuer. Vermeiden Sie den Einsatz der Batterie über längere Zeiträume. Vermeiden Sie den Einsatz der Batterie über längere Zeiträume.

ATTENZIONE!
Il sito scaricato deve essere smontato con questo apparecchio particolare non consentendo il calore dei liquidi rimanenti. Evitare l'uso prolungato.

ATTENTION!
The site is only to be removed with this special device. Do not allow the remaining liquids to become hot.

¡ATENCIÓN!
El sitio debe desmontarse únicamente con este aparato particular. No permitir que los líquidos remanentes se calienten.

ATTENTION!
Il sito scaricato deve essere smontato con questo apparecchio particolare non consentendo il calore dei liquidi rimanenti. Evitare l'uso prolungato.

ACHTUNG!
Die Batterie muss nur mit diesem Gerät entfernt werden. Die verbleibenden Flüssigkeiten dürfen nicht erwärmt werden.

RICARICA DELLE BATTERIE
Caricare la batteria solamente quando il display o la spia sul cruscotto indicano il livello zero. Il tempo di ricarica della batteria deve essere di minimo 12 ore. Attendere sempre il riacquiescenza del led verde prima di considerare terminata la ricarica.

BATTERY CHARGING
Charge the battery only when the display or the lights of the instrument board indicate level zero. Charge time of the battery must be at least 12 hours. Always wait for the extinguishing of the green led, only then the recharge has been completed.

CARGA DE LA BATERIA
Cargar la batería solamente cuando el señal baterías y los luces piloto sobre el tablero de instrumentos indican el nivel cero. El tiempo de carga de la batería será de 12 horas como mínimo. Esperar siempre el rindiendo de la luz verde antes que considerar la recarga terminada.

RECHARGE DES BATTERIES
Charger la batterie seulement quand le témoin de batterie ou la lampe témoin sur le tableau de bord indiquent le niveau zéro. Le temps de recharge de la batterie doit être au minimum de 12 heures. Attendre toujours l'éteignement de la led vert avant de considérer la recharge terminée.

WIEDERAUFLADEN DER BATTERIEN
Die Batterie darf nur geladen werden, wenn die Batterie-Standanzzeige oder die Batteriewarnleuchte den Batteriestand von Null signalisiert. Das Laden der Batterie muß mindestens 12 Stunden betragen. Warten Sie immer bis die Anzeige grün leuchtet, erst dann ist die Ladung vollständig durchgeführt.

- Pulire sempre il filtro del serbatoio soluzione dopo ogni uso
- Clean the solution tank filter after every use
- Limpiar el filtro del tanque solución después de cada uso
- Nettoyer toujours le filtre du réservoir solution après chaque usage
- Reinigungskartridge immer nach jeder Benutzung säubern

437703



428291



HILLYARD INDUSTRIES - PO Box 909 - St. Joseph, Missouri 64502-0909 U.S.A. - Telephone: 816-233-1321 - www.hillyard.com