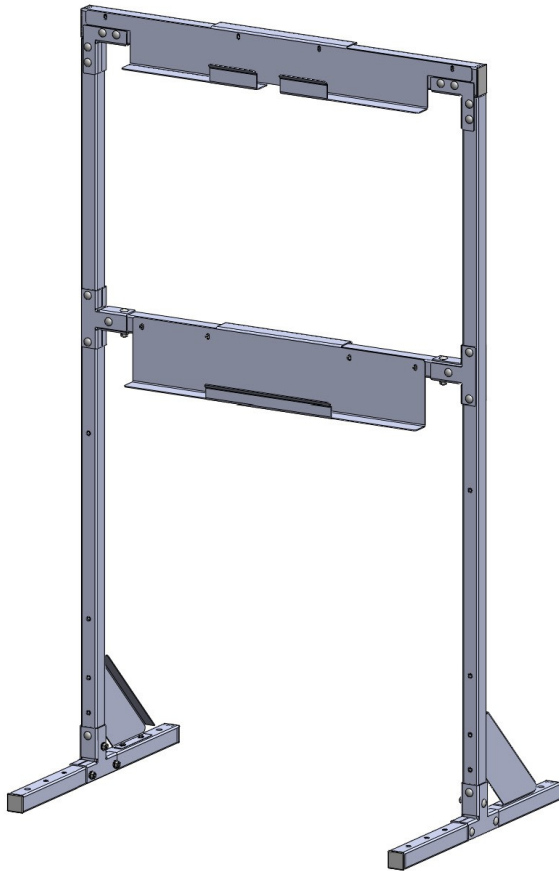


## COMMERCIAL



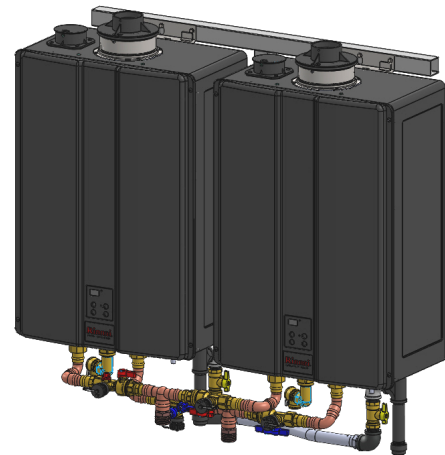
### TRX FREE-STANDING RACK

<b>Part Number</b>	103000111
<b>Installation</b>	Internal (Indoor)
<b>Application</b>	TRX02CUiN Model
<b>Frame Material</b>	14 Gauge, 1.5 in. (38 mm) Steel Square Tube
<b>Frame Finish</b>	Powder Coat
<b>Frame Color</b>	Gray
<b>Weight</b>	51.5 lb (23 kg) (Assembled)
<b>Items Included with Purchase</b>	Rack components, hardware and assembly instructions
<b>Field-Supplied Items</b>	<ul style="list-style-type: none"> <li>• Rinnai TRX (Purchased Separately).</li> <li>• Standard screwdriver, nut driver or wrench for use with supplied screws and bolts.</li> <li>• <i>(Recommended)</i> Four screws/ expansion anchors for anchoring rack to floor. Reference local codes for minimum concrete thickness and use appropriate expansion anchors capable of supporting rack and TRX weight.</li> </ul>

### Compatible With TRX (Purchased Separately)

2-Unit Compact  
Wall-Mount Tankless Rack System

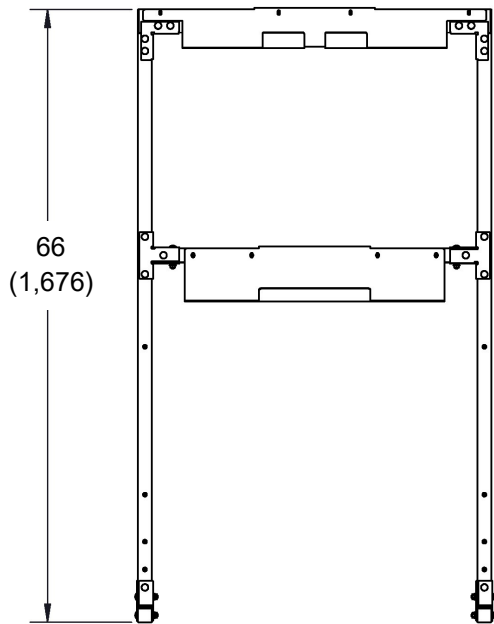
Contact Rinnai for More Information  
on the TRX.



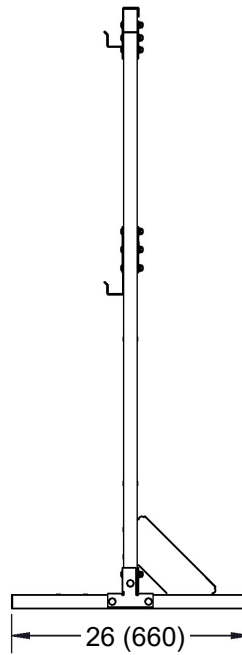
**Dimensions**

*Measurements: in. (mm)*

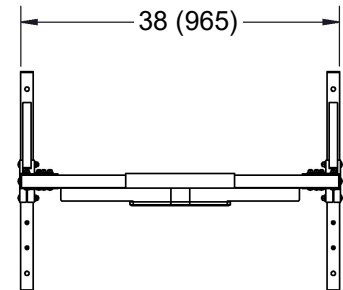
**Front**



**Side**



**Top**



**Example Configuration**

