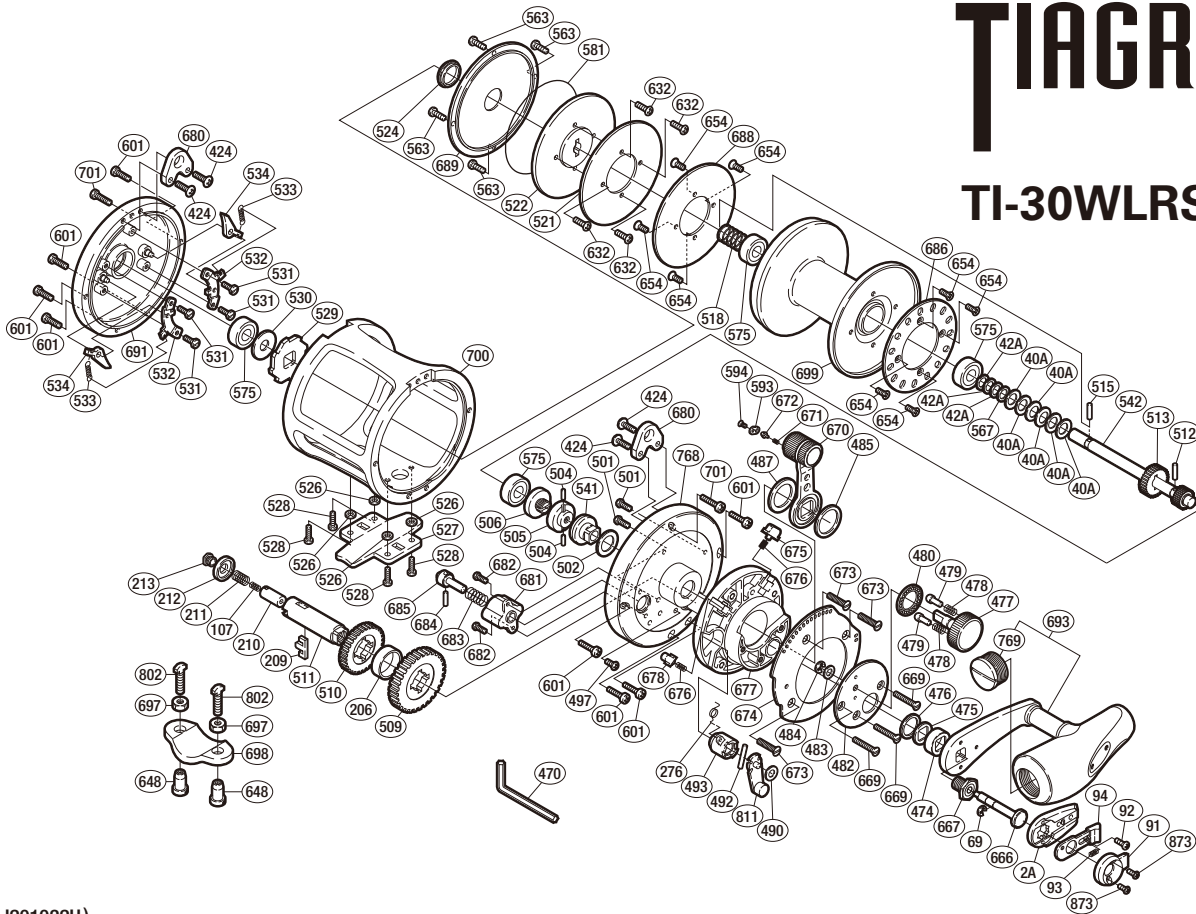


SHIMANO

TIAGRA

TI-30WLRSA



(51RJ201032U)

#	Part No.	Description	#	Part No.	Description	#	Part No.	Description
0002A	10QUC	Handle Bolt Plate	0504	10EWQ	Pre-Program Key Pin	0669	10PHV	Screw
0040A	1052C	Pre-Load Spring	0505	1089E	Pre-Program Key	0670	108B5	Drag Control Lever
0042A	104L7	Bearing Thrust Washer	0506	1088X	Pre-Program Screw	0671	104BG	Lever Click Shoe
0069	105NK	E Lock	0509	10QK6	Drive Gear A	0672	10C3T	Lever Click
0091	109XD	Push Button Shield	0510	109WT	Drive Gear B	0673	10PHT	Screw
0092	10LZ9	Screw	0511	10D5T	Drive Shaft	0674	10C9V	Lever Quadrant
0093	10PWH	Slide Plate Spring	0512	104LD	Cross Pin A	0675	10CCJ	Strike Stop
0094	109XC	Slide Plate	0513	10N9J	Pinion Gear B	0676	10BNN	Pressure Spring
0107	109VM	Drive Shaft Spring B	0515	10MCT	Cross Pin B	0677	10F3R	Right Side Plate B
0206	10D61	Friction Washer C	0518	10CCV	Pressure Plate Spring	0678	10BNG	Free Spool Detent
0209	10KXH	Gear Select Cross Bar	0521	10G11	Drag Washer	0680	10PYE	Harness Lug
0210	10KXL	Cross Bar Stop	0522	10EVT	Pressure Plate	0681	108CY	Plunger Holder
0211	10KXQ	Drive Shaft Spring	0524	10EW9	Waterproof Ring	0682	103HQ	Screw
0212	10D5B	Friction Washer A	0526	10PSW	Stand Washer	0683	10GUU	Click Spring
0213	10FCD	Drive Shaft Screw	0527	10NY8	Stand	0684	10EZP	Plunger Cross Pin A
0276	10F1S	Cross Pin Support Spring	0528	10PV9	Screw	0685	108D8	Alert Plunger
0424	10LZ5	Screw	0529	10DAH	Anti-Reverse Ratchet	0686	1052Q	Alert Ratchet
0474	10KZQ	Drive Shaft Shield	0530	10KNT	Bearing Spacer	0688	10G48	Drag Plate
0475	107QW	Drive Shaft Thrust Washer	0531	103E9	Screw	0689	104QV	Cooling Shield
0476	105UA	Bearing Spacer	0532	10KVD	Set Plate	0691	107Z7	Left Side Plate
0477	108H5	Pre-Program Dial	0533	10CBU	Dog Spring	0693	102UL	Handle Assembly
0478	10K06	Friction Shoe Spring	0534	10PKF	Dog	0699	10EME	Spool
0479	1035W	Dial Click Shoe	0541	10CC4	Lever Shaft Body	0700	1059J	One-Piece Frame
0480	10J1W	Dial Click	0542	10HYH	Pinion Shaft	0701	10BC4	Screw
0482	10BHM	Lever Hub Cover	0563	10LVE	Screw	0768	10KKB	Right Side Plate A
0483	109RR	Washer	0567	10JDE	Bearing Thrust Washer	0769	105ZE	Handle Knob Bushing
0484	105NG	E Lock	0575	10BMH	Ball Bearing	0811	108FY	Strike Alert Lever
0485	109RQ	Lever Thrust Ring	0581	10EYZ	O Ring	0873	10PHP	Screw
0487	109RP	Lever Thrust Ring	0593	10C3Y	Lever Click Cover			
0490	1059Y	Spacer	0594	10MG6	Screw	0648	10JC7	Rod Clamp Nut A (Accessory)
0492	10EZS	Plunger Cross Pin B	0601	10PRP	Screw	0697	105N9	Rod Clamp Nut B (Accessory)
0493	10EZM	Plunger Cross Pin Support	0632	10MT4	Screw	0698	10J9U	Rod Clamp (Accessory)
0497	103H4	Screw	0654	10ML5	Screw	0802	10JBT	Rod Clamp Bolt (Accessory)
0501	103J1	Screw	0666	109X9	Push Low Button Shaft			
0502	10EZF	Washer	0667	106XN	Handle Bolt	0470	10MJ4	Wrench (Accessory)

Please note that the number of adjusting washers may not be the same as shown in the exploded views.
(Adjustment will vary with each individual product.)

(230303)_002