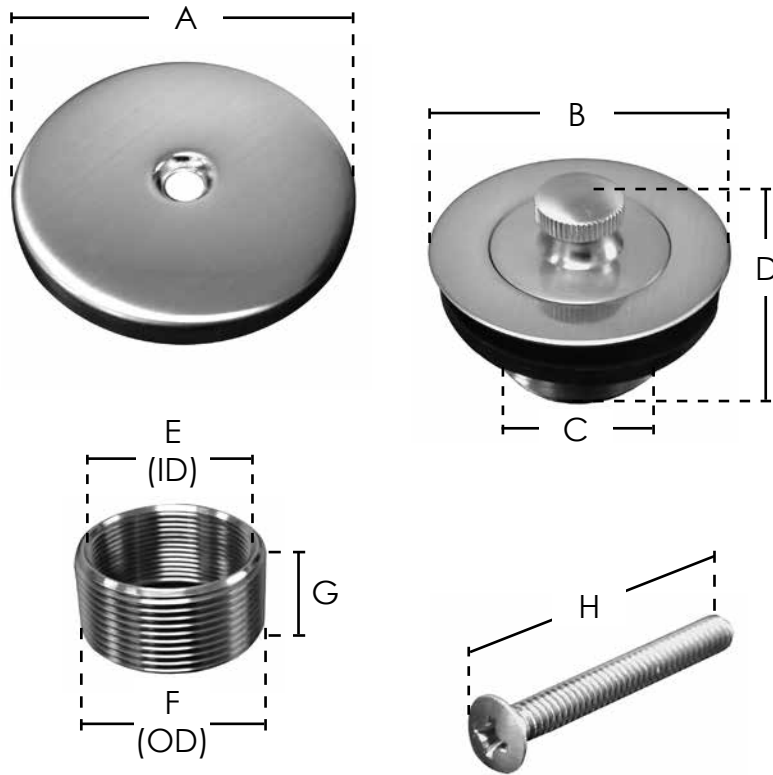


SPECIFICATION SUBMITTAL SHEET

JONES STEPHENS CORPORATION

DECORATIVE LIFT & TURN CONVERSION KIT



features and benefits:

- 1-Hole faceplate
- Clamshell packaging
- Aluminum adapter bar
- 1-3/8" drain with bushing
- Includes drain, bushing, face plate and screw
- Blister card packaging

This product and others like it can be found in the Jones Stephens catalog. Call today to order your catalog or download it from our website: www.jonesstephens.com

| PART NO. | A | B | C | D | E | F | G | H |
|----------------------------------|--------|--------|--------|--------|--------|--------|------|----|
| <input type="checkbox"/> B51019 | 3-1/8" | 2-3/4" | 1-1/2" | 1-3/4" | 1-5/8" | 1-3/4" | 3/4" | 2" |
| <input type="checkbox"/> B5160AP | 3-1/8" | 2-3/4" | 1-1/2" | 1-3/4" | 1-5/8" | 1-3/4" | 3/4" | 2" |
| <input type="checkbox"/> B5160BB | 3-1/8" | 2-3/4" | 1-1/2" | 1-3/4" | 1-5/8" | 1-3/4" | 3/4" | 2" |
| <input type="checkbox"/> B5160BN | 3-1/8" | 2-3/4" | 1-1/2" | 1-3/4" | 1-5/8" | 1-3/4" | 3/4" | 2" |
| <input type="checkbox"/> B5160BS | 3-1/8" | 2-3/4" | 1-1/2" | 1-3/4" | 1-5/8" | 1-3/4" | 3/4" | 2" |
| <input type="checkbox"/> B5160RB | 3-1/8" | 2-3/4" | 1-1/2" | 1-3/4" | 1-5/8" | 1-3/4" | 3/4" | 2" |
| <input type="checkbox"/> B5160WB | 3-1/8" | 2-3/4" | 1-1/2" | 1-3/4" | 1-5/8" | 1-3/4" | 3/4" | 2" |
| <input type="checkbox"/> B5160NP | 3-1/8" | 2-3/4" | 1-1/2" | 1-3/4" | 1-5/8" | 1-3/4" | 3/4" | 2" |
| <input type="checkbox"/> B5160PN | 3-1/8" | 2-3/4" | 1-1/2" | 1-3/4" | 1-5/8" | 1-3/4" | 3/4" | 2" |
| <input type="checkbox"/> B5160PS | 3-1/8" | 2-3/4" | 1-1/2" | 1-3/4" | 1-5/8" | 1-3/4" | 3/4" | 2" |

Jones Stephens

3249 Moody Parkway • Moody, Alabama 35004

Toll Free Phone: 1-800-355-6637 • Toll Free Fax: 1-800-462-6991

www.jonesstephens.com