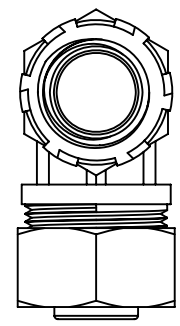
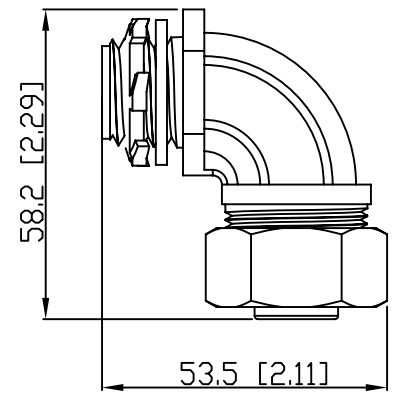
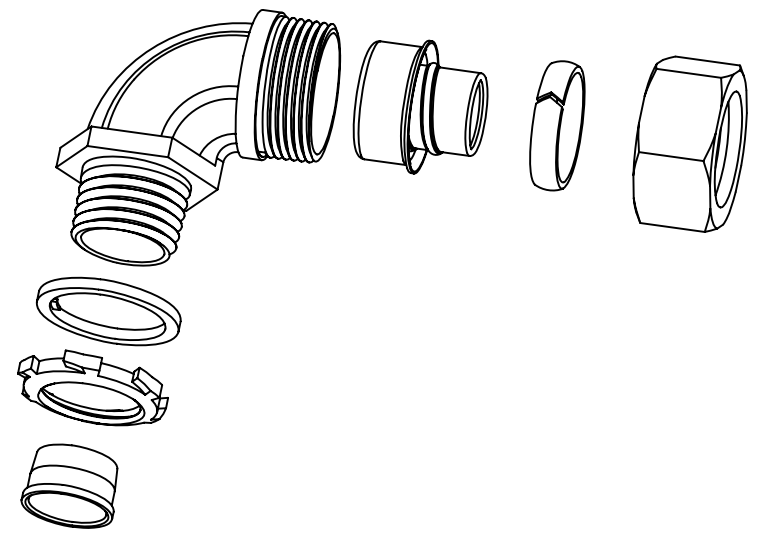
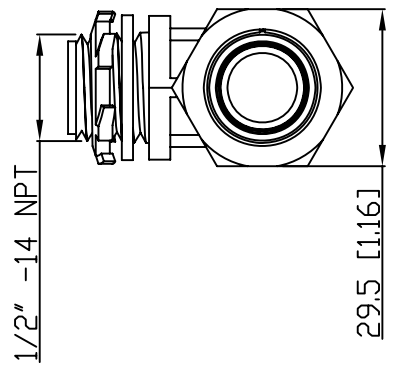


SIDES	BOTTOM
Material:Malleable Iron	



DESCRIPTION
TRADE REFERENCE TERMS

STANDARD PACKING			
20 PCS	TITLE 90° Liquid Tight Conn, 1/2"		
	SIZE A4	DWG NO. DS-LTC-5090	REV A