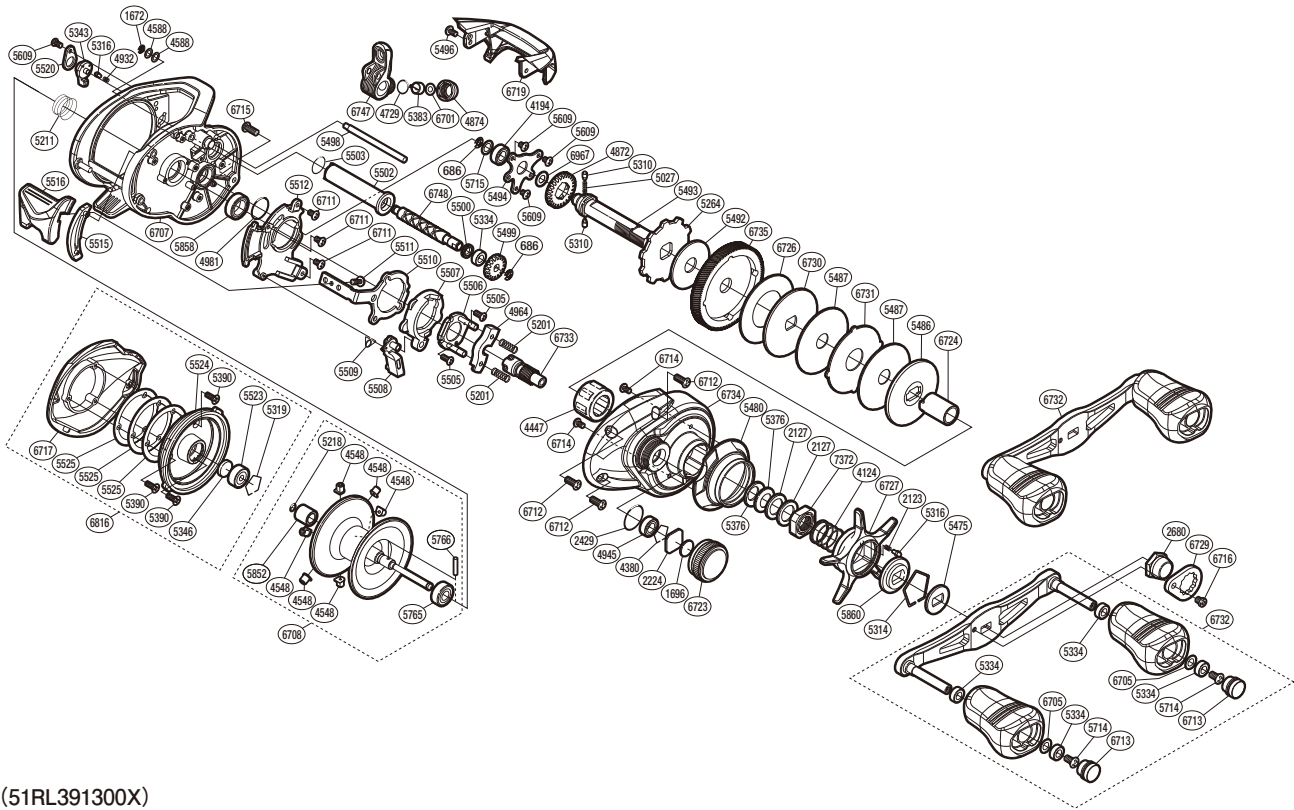


# SHIMANO

## CURADO

## CU300K



(51RL391300X)

#	Part No.	Description	#	Part No.	Description	#	Part No.	Description
686	105NK	E Lock	5383	10BHQ	Line Guide Pawl	5852	101J1	Spool Shaft Bushing
1672	105NC	E Lock	5390	10LA4	Screw	5858	105BT	Ball Bearing
1696	10896	Cast Control Spacer (B)	5475	10QVN	Drive Shaft Shield	5860	10J26	Star Drag Click Plate
2123	10BT2	Click Spring	5480	10253	Clutch Button Attachment	6701	10CFU	Spacer
2127	10J1N	Star Drag Spacer	5486	1025E	Key Washer	6705	1020Z	Washer
2224	1085F	Spool Tension Spacer (A)	5487	1024D	Drag Washer	6707	10S8Q	Frame
2429	108WK	O Ring	5492	1025A	Drag Washer	6708	100BN	Spool Assembly
2680	10FT1	Handle Nut	5493	10257	Drive Shaft	6711	10SUT	Screw
4124	10A70	Star Drag Spring	5494	1024G	Drive Shaft Retainer	6712	101WJ	Screw
4194	105BP	Ball Bearing	5496	10LCZ	Screw	6713	10E4R	Handle Knob Seal
4380	1057X	Retainer	5498	1024P	Stabilizer Bar	6714	10LA3	Screw
4447	10F37	Roller Clutch Bearing	5499	1024Q	Idle Gear	6715	10LFP	Screw
4548	10CMP	Brake Collar	5500	1024R	Worm Shaft Seal	6716	10LLU	Screw
4588	10FJZ	Washer	5502	1024N	Level Wind Guard	6717	10E4J	Left Side Plate
4729	108WQ	O Ring	5503	101GT	O Ring	6719	10E0Y	Level Wind Protector
4872	10J47	Idle Gear	5505	10LVJ	Screw	6723	10E4N	Cast Control Cap
4874	10FJB	Pawl Cap	5506	10QVM	Clutch Cam Retainer	6724	10E4S	Roller Clutch Inner Tube
4932	10GQZ	Click Spring	5507	10254	Clutch Cam	6726	10E0Z	Drag Washer
4945	105BR	Ball Bearing	5508	101J2	Clutch Pawl	6727	10E4F	Star Drag
4964	1046X	Yoke	5509	101J3	Clutch Pawl Spring	6729	10E56	Handle Nut Plate
4981	10LA8	O Ring	5510	101J9	Clutch Plate	6730	10E4Q	Key Washer
5027	10JDZ	Idle Gear Spring	5511	10LCL	Screw	6731	10E4Z	Eared Washer
5201	104BC	Yoke Spring	5512	10251	Clutch Guard	6732	10T44	Handle Assembly
5211	10EZE	Bearing Pressure Spring	5515	101JA	Clutch Bar Guide	6733	10E51	Pinion Gear
5218	10EZ7	O Ring	5516	101J4	Clutch Button	6734	10E4T	Right Side Plate
5264	10D73	Anti-Reverse Ratchet	5520	101UL	Cam Lever Retainer	6735	10E4U	Drive Gear
5310	10HJG	Idle Gear Pin	5523	105C2	Ball Bearing	6747	10R7V	Line Guide
5314	10KXW	Click Plate Retainer	5524	10SWA	Dial Case Assembly	6748	10E15	Worm Shaft
5316	10MFC	Click Pin	5525	1024K	Washer	6816	100DP	Left Side Plate Assembly
5319	1054D	Bearing Retainer	5609	10LCT	Screw	6967	10GR7	Washer
5334	10PXZ	Bushing	5714	10LFA	Screw	7372	10A3X	Star Drag Nut
5343	1019B	Side Plate Cam Lever	5715	10G6D	Drive Shaft Washer			
5346	10EX5	Spacer B	5765	105CA	Ball Bearing			
5376	109F5	Drag Spring Washer	5766	10MD1	Spool Clutch Pin			

Please note that the number of adjusting washers may not be the same as shown in the exploded views.  
(Adjustment will vary with each individual product.)

(231113)\_006