



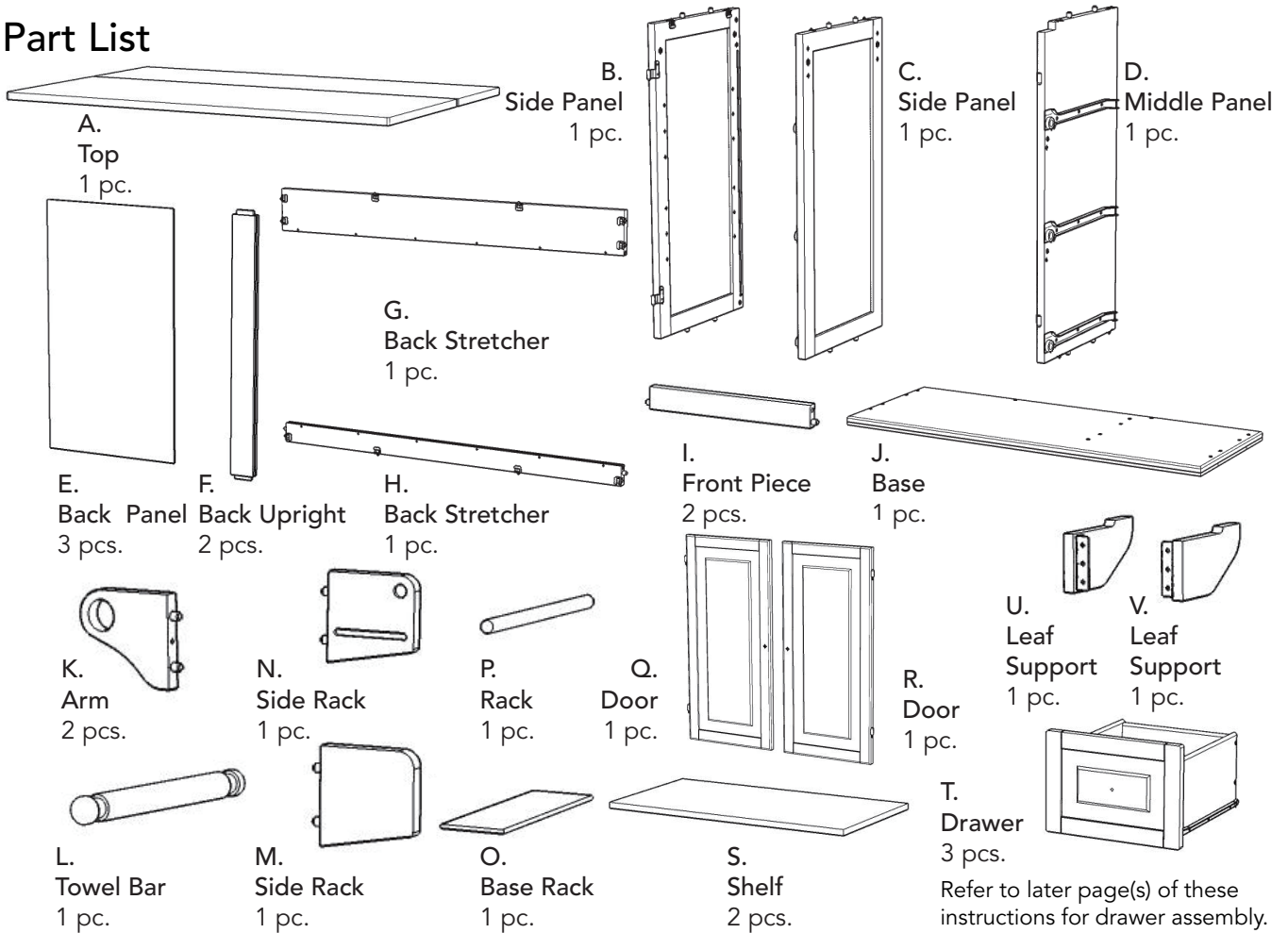
**IMPORTANT**

Carefully remove all the parts from the carton and place them individually on a soft cloth to prevent scratches or other damage.

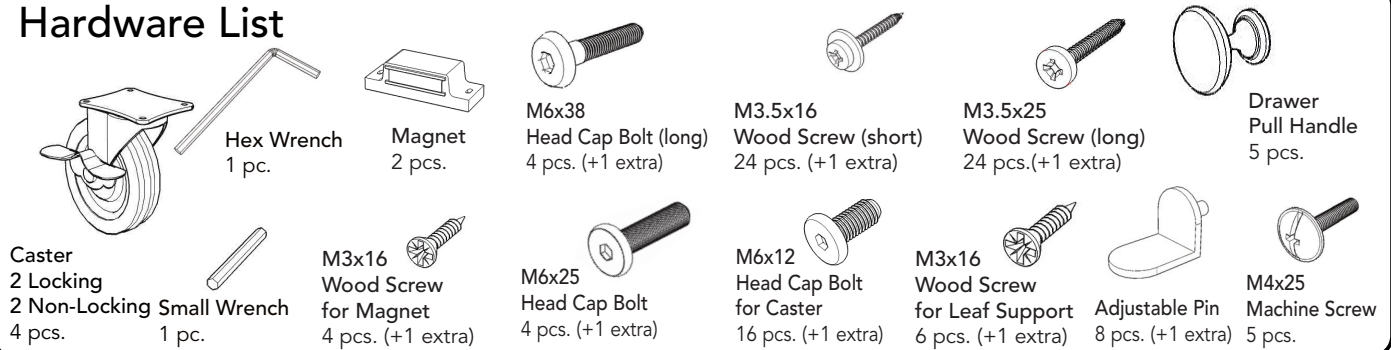
Carefully and strictly follow these assembly instructions to ensure a completed product as designed.

Do not use power tools above 8 volts to assemble.

**Part List**



**Hardware List**



Tool(s) required for assembly: Phillips screwdriver

## Assembly Instructions 2/6

### IMPORTANT

- Use a soft cloth between these parts and the floor.
- Do not use power tools above 8 volts to assemble.
- Do not tighten all the bolts until each part is properly assembled.
- Keep Hex Wrench in a safe place as the bolts may need to be tightened up in the future.

### STEP 1

Attach Magnets to Top (A) by inserting Wood Screws for Magnet into pre-drilled holes. (See Figure 1)

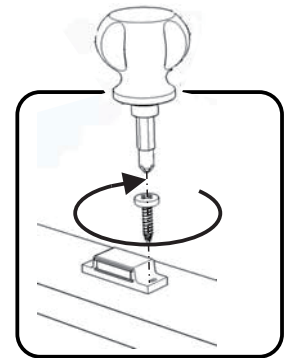


Figure 1

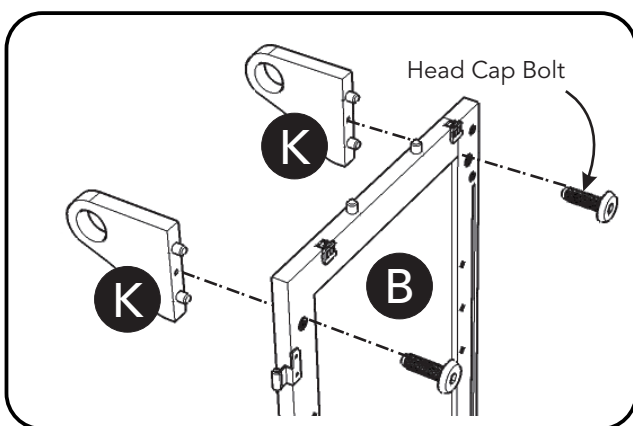
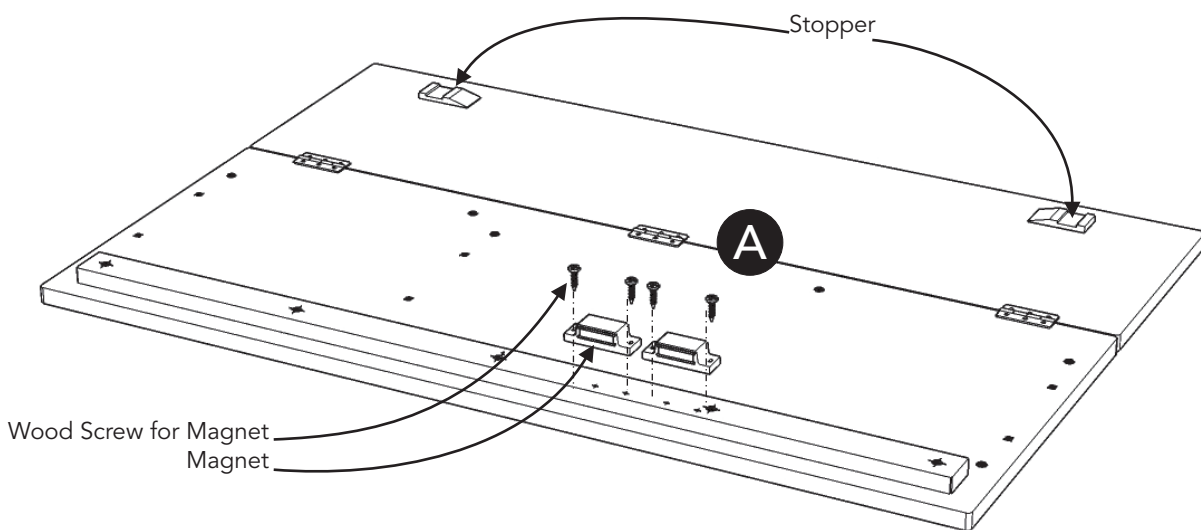


Figure 2

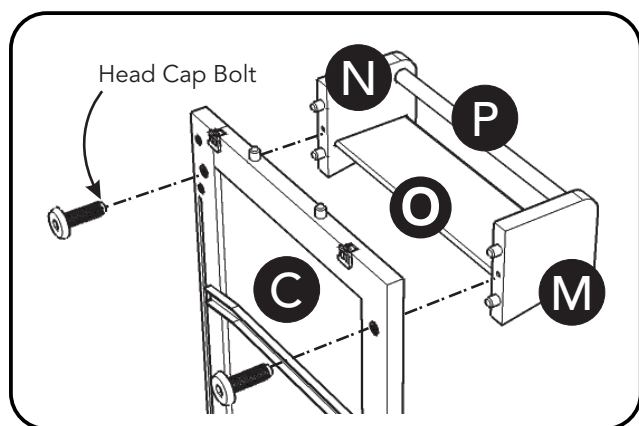


Figure 3

### STEP 2

Attach Arms (K) to Side Panel (B) with Head Cap Bolts. (See Figure 2)

Assemble Side Racks (M), (N), Base Rack (O) and Rack (P), then attach to Side Panel (C) with Head Cap Bolts. (See Figure 3)

## Assembly Instructions 3/6

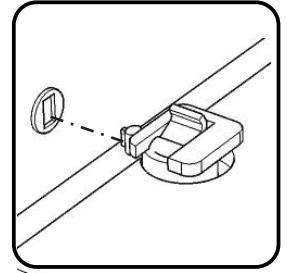
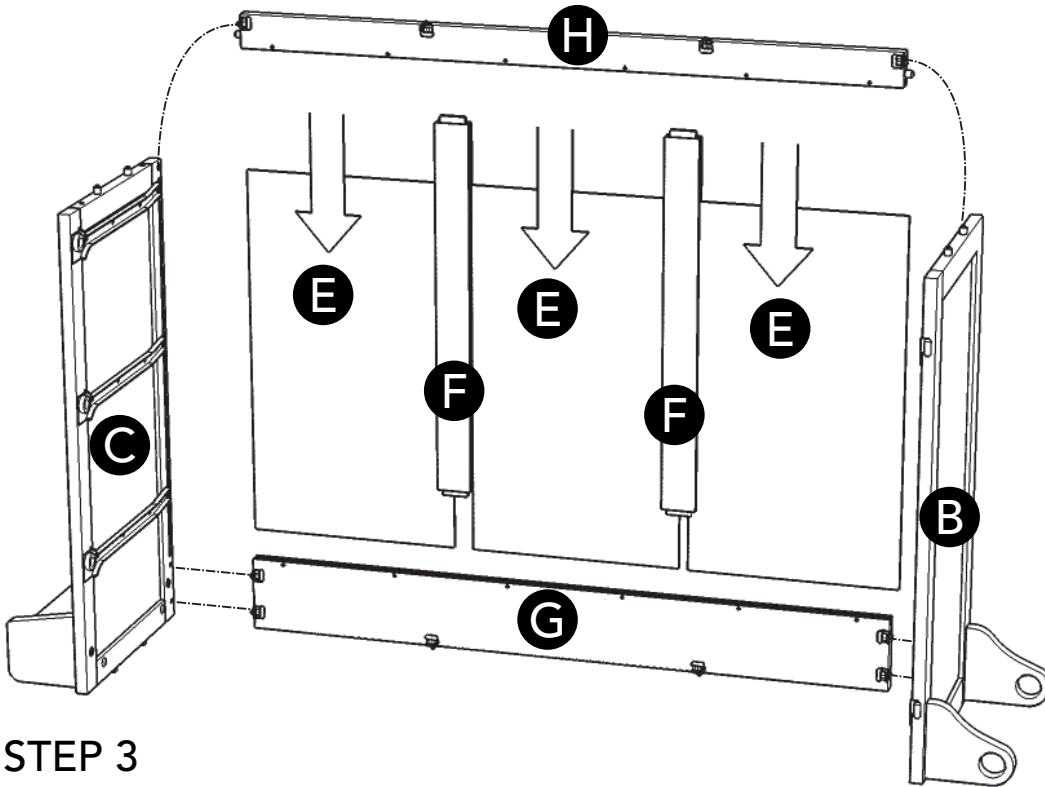


Figure 4

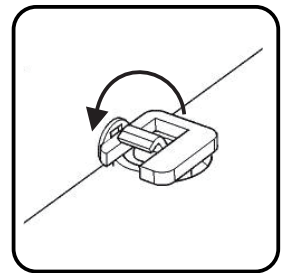


Figure 5

### STEP 3

Attach Back Stretcher (G) to Side Panel (B), then flip the locks.  
(See Figures 4 and 5)

Attach Back Uprights (F) to unit, then slide Back Panels (E) into position.

Attach Back Stretcher (H) and Side Panel (C) to unit, then flip the locks.

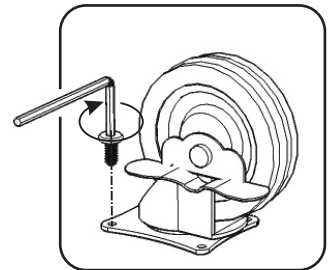
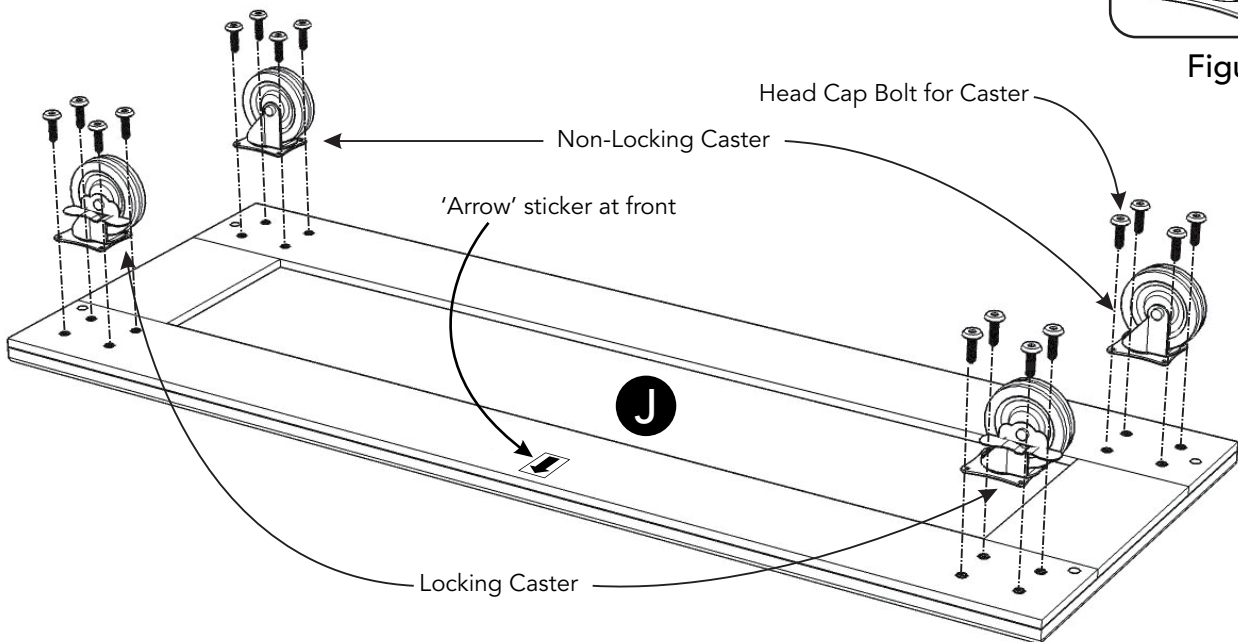


Figure 6



### STEP 4

Attach Casters underneath Base (J) with Head Cap Bolts for Caster, with Locking Casters at front.  
(See Figure 6)

Note: 'Arrow' sticker indicates front of Base (J).

## Assembly Instructions 4/6

### STEP 5

Attach unit from Step 4 to unit from Step 3 with Head Cap Bolts (long), then flip the locks.

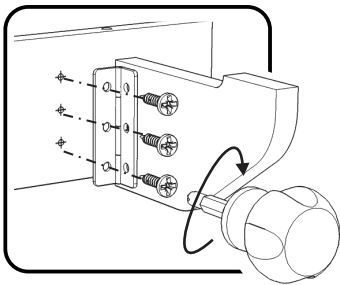
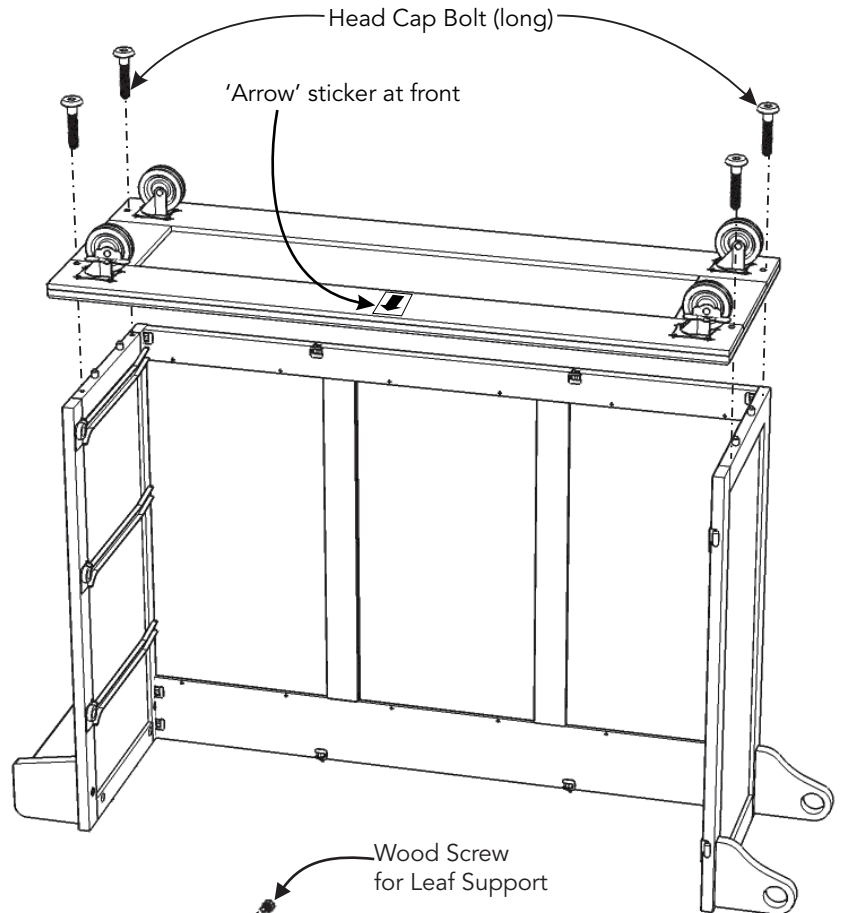
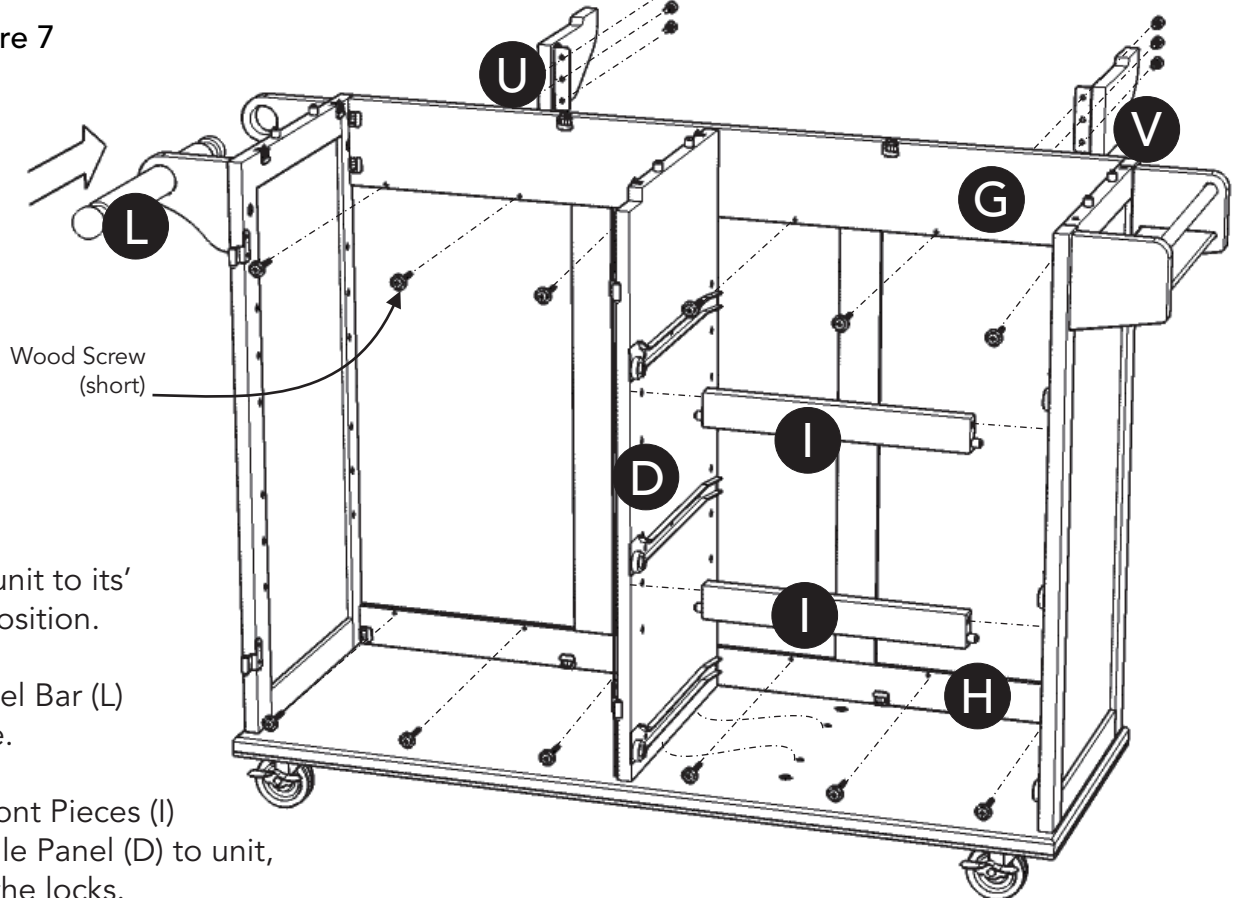


Figure 7



### STEP 6

Turn the unit to its' upright position.

Slide Towel Bar (L) into place.

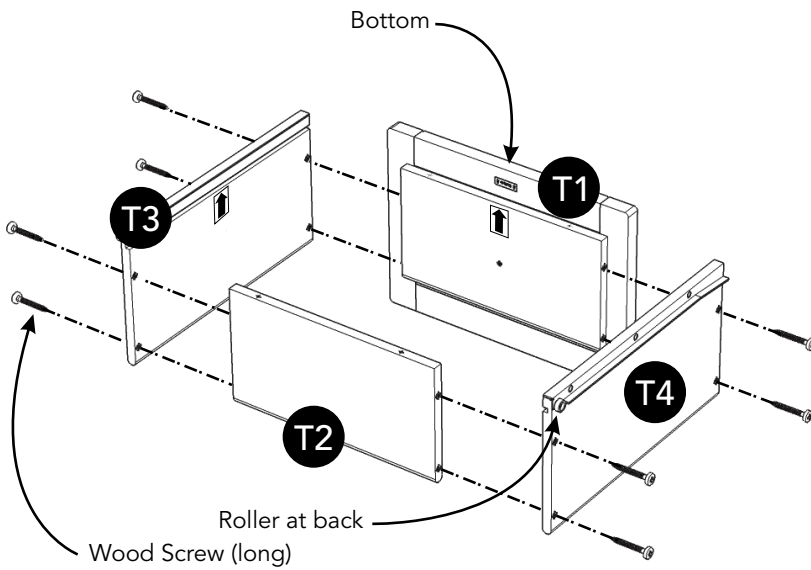
Attach Front Pieces (I) and Middle Panel (D) to unit, then flip the locks.

Insert Wood Screws (short) into pre-drilled holes of Back Stretchers (G) and (H) and tighten.

Attach Leaf Supports (U) and (V) to unit with Wood Screws for Leaf Support. (See Figure 7)

# Assembly Instructions 5/6

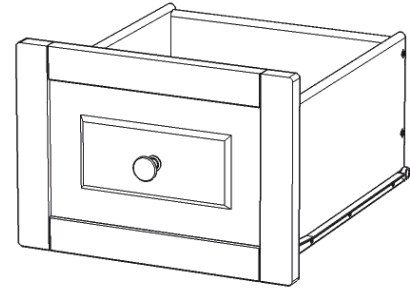
## Drawer (T)



### STEP 7

Attach Drawer Front (T1) and Drawer Back (T2) to Drawer Side (T3) with Wood Screws (long).

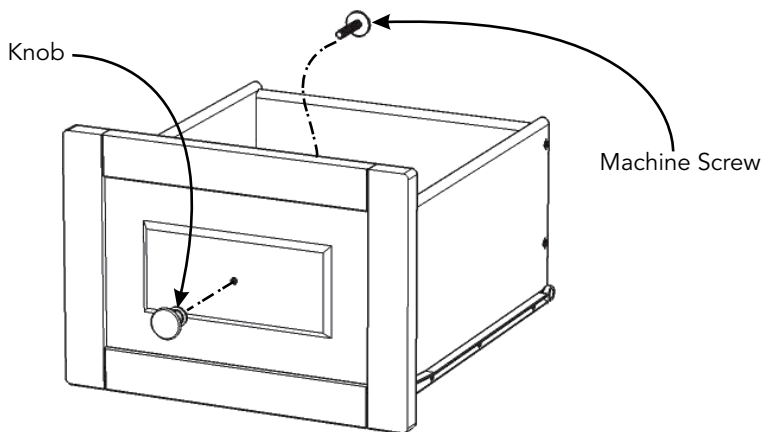
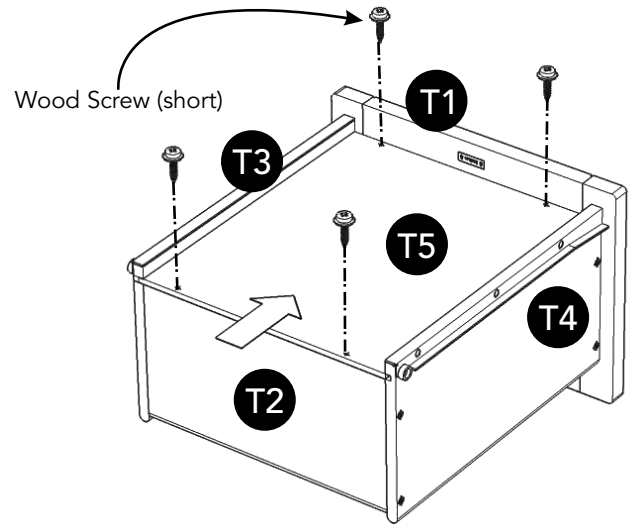
Attach Drawer Side (T4) to unit with Wood Screws (long).



### STEP 8

Slide Drawer Bottom (T5) into the grooves of Drawer Sides (T3) and (T4) until it meets Drawer Front (T1).

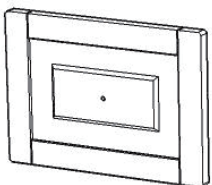
Attach Drawer Bottom (T5) to unit with Wood Screws (short).



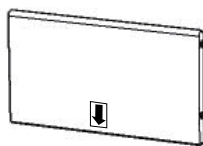
### STEP 9

Attach Knob with Machine Screw.

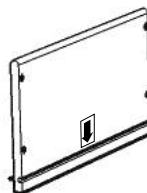
## Part List



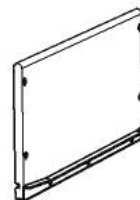
T1.  
Drawer Front  
3 pcs.



T2.  
Drawer Back  
3 pcs.



T3.  
Drawer Side  
3 pcs.

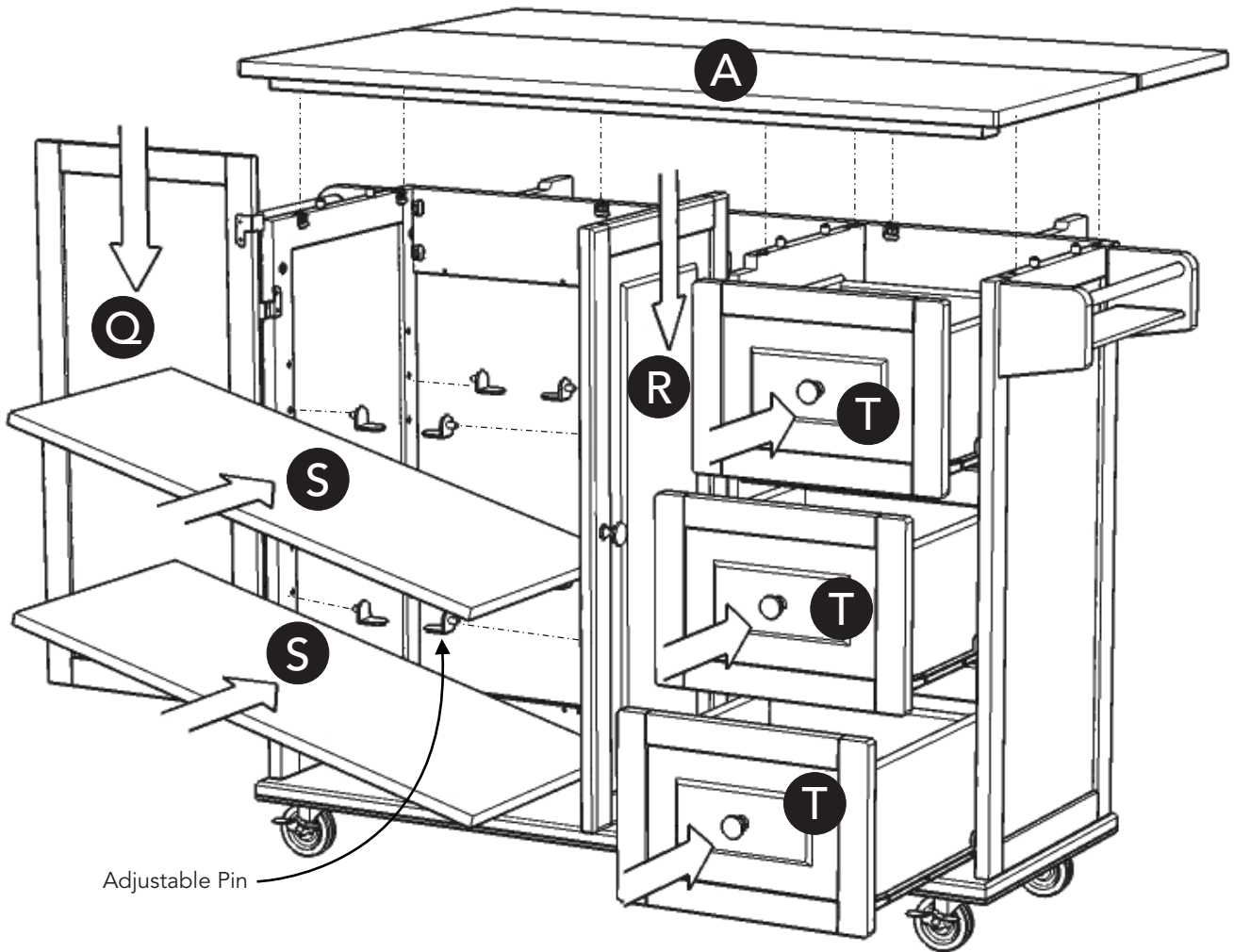


T4.  
Drawer Side  
3 pcs.



T5.  
Drawer Bottom  
3 pcs.





## STEP 10

Insert Adjustable Pins into side panel and middle panel at desired level.

Place Shelves (S) into position.

Attach Doors (Q) and (R) by sliding door lift hinges into side panel lift hinges. (See Figure 8)

Assemble Pull Handles to Doors with Machine Screws. (See Figure 9)

Attach Top (A) to unit, then flip the locks.

Slide Drawers (T) into position.

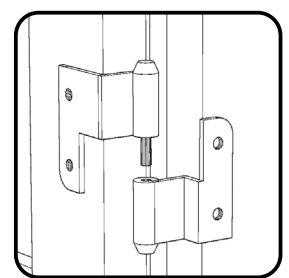


Figure 8

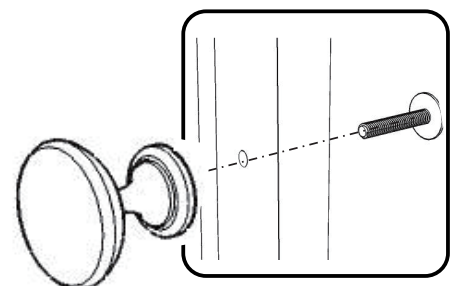


Figure 9

# CARE INSTRUCTIONS

## NEVER

allow liquids to remain on furniture.  
Absorption causes parts to warp  
and split and finishes to delaminate.

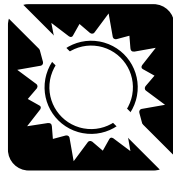
## NEVER

use glass cleaners on  
finished furniture. Ammonia  
chemically attacks the finish.



Do not use power tools  
above 8 volts to assemble.

**PREVENT  
CRACKING**



Do not place  
in direct sunlight.

**PREVENT  
FADING**



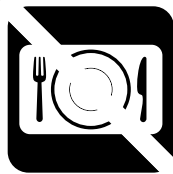
Do not write  
directly on surface.

**PREVENT  
MARKING**



Do not place hot  
objects on surface.

**PREVENT  
FINISH DAMAGE**



Do not use rubber  
based placemats.

**PREVENT  
DISCOLORING**



Do not use commercial  
waxes and polishes.

**PREVENT  
YELLOWING**

## CLEAN

with a soft cloth moistened  
in lukewarm soap and water.  
Buff with a dry clean cloth.



Home Styles will provide replacements free of charge for missing or damaged hardware or parts within 30 days of purchase. Digital images of the defective parts may be required. If the product was not purchased from an authorized retail affiliate, Home Styles is under no obligation to provide replacement parts. Parts are not available for fully assembled items nor are parts available for sale. Replacements for missing or damaged hardware or parts may be requested at:

[www.homestyles-furniture.com/customer-service/replacement-parts](http://www.homestyles-furniture.com/customer-service/replacement-parts)

Home Styles Customer Service: [www.homestyles-furniture.com](http://www.homestyles-furniture.com),  
[servicedesk@homestyles-furniture.com](mailto:servicedesk@homestyles-furniture.com), 888-680-7460, 877-831-0319