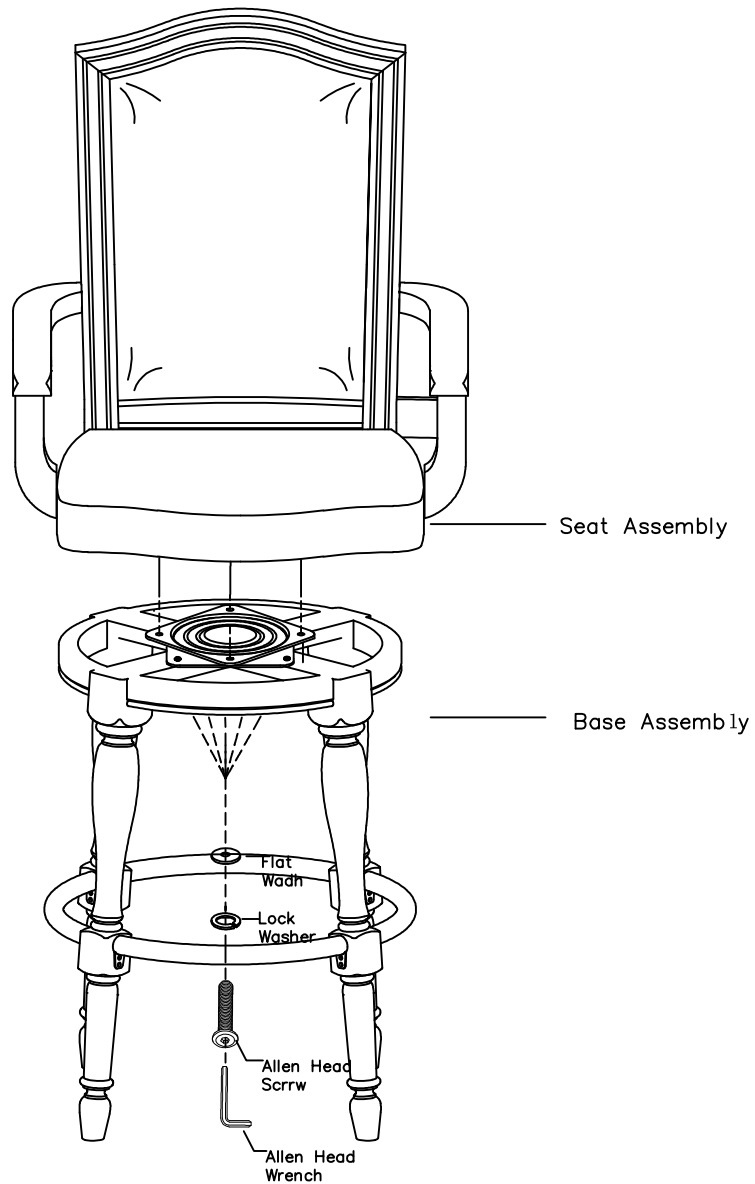


# Bar Stool Assembly Instruction

Model 697-027







Attach the Seat Assembly to the Base Assembly with hardware as shown.

Periodically check that the screws are tight and secure.

Maximum Weight capacity = 300 pounds

## HARDWARE ENCLOSED

	Flat Washer	4pieces
	Lock Washer	4pieces
	Allen Head Scrrw	4pieces
	Allen Head Wrench	1pieces