

### 1. INTRODUCTION

The 240 Watt Power Supply Kit (P/N PW1240) is a modular, scalable power solution that facilitates organized cable management and improved space efficiency within an On-Q/Legrand enclosure.

### 2. DESCRIPTION

The kit consists of four 24 VDC, 2.5 A, 60 W power supplies, two standard On-Q half-width, tab & plunger mounting brackets, a custom power strip, and four 12" velcro straps to secure the power supplies (see **Figure 1**). On-Q/Legrand also offers a 120 Watt kit with two 24 VDC, 2.5 A, 60 W power supplies (P/N PW1120 -- see Installation/Instruction sheet **IS-0381**).

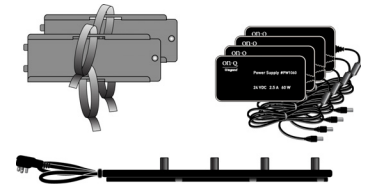


Figure 1

### 3. INSTALLATION

#### A. INSTALL BRACKETS INTO ENCLOSURE

1. Choose a location within the enclosure that will provide enough distance for both the custom power strip and the power supply cables to be adequately routed (see **Figure 2**).

**IMPORTANT: THE SOCKET-OUTLET MUST BE INSTALLED NEAR THE EQUIPMENT AND MUST BE EASILY ACCESSIBLE.**

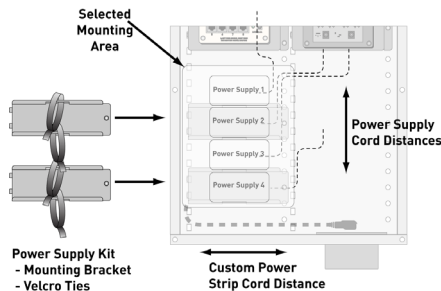


Figure 2

2. Align tabs on the mounting bracket with slots in the enclosure (see **Figure 3**).

3. Insert tabs by angling module away from the back of enclosure.

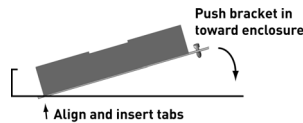


Figure 3

4. Making sure the plunger is pulled out, push the bracket toward the enclosure, aligning the plunger hole on the bracket with the corresponding hole on the enclosure.

5. Push plunger in to lock the bracket in place (see **Figure 4**). Pull on bracket to be sure it is correctly locked into the enclosure. Repeat to add the second bracket above or below the first. Allow enough room between the two brackets for one power supply to fit in tightly.

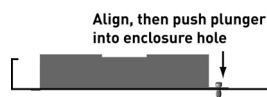


Figure 4

#### B. INSTALL POWER SUPPLIES INTO BRACKET

Refer to **Figure 5**

1. Slide the first power supply into the bracket. The power supply should be completely inside the bracket (behind the lower lip).
2. Slide the second power supply on top of the bracket. The power supply should fit tightly between the upper lip of the bracket and the enclosure. Repeat this for the third and fourth power supplies.
3. Align the four plugs on the power strip with the receptacle on each power supply and push until tight..
4. Loosely secure the power supplies to the bracket with the included 12" velcro straps. When the power supplies and power strip are connected and positioned correctly, and the main power cord from the strip reaches the receptical without any kind of stretching, pull the velcro straps tight to secure the assembly then plug the strip's cord into the receptical.

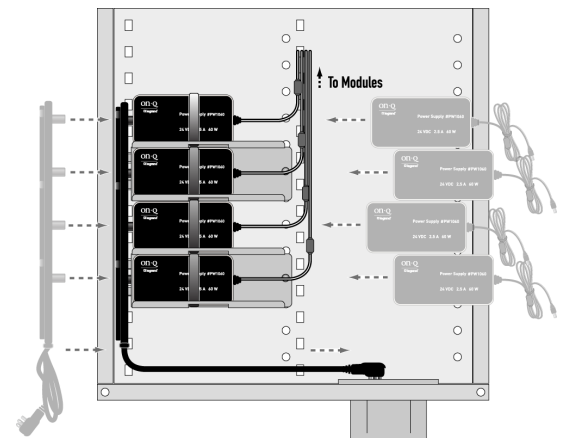


Figure 5

#### 4. EXAMPLE

Figure 6 shows the 240 Watt Power Supply Kit used to support a lyriQ™ High Performance Keypad application.

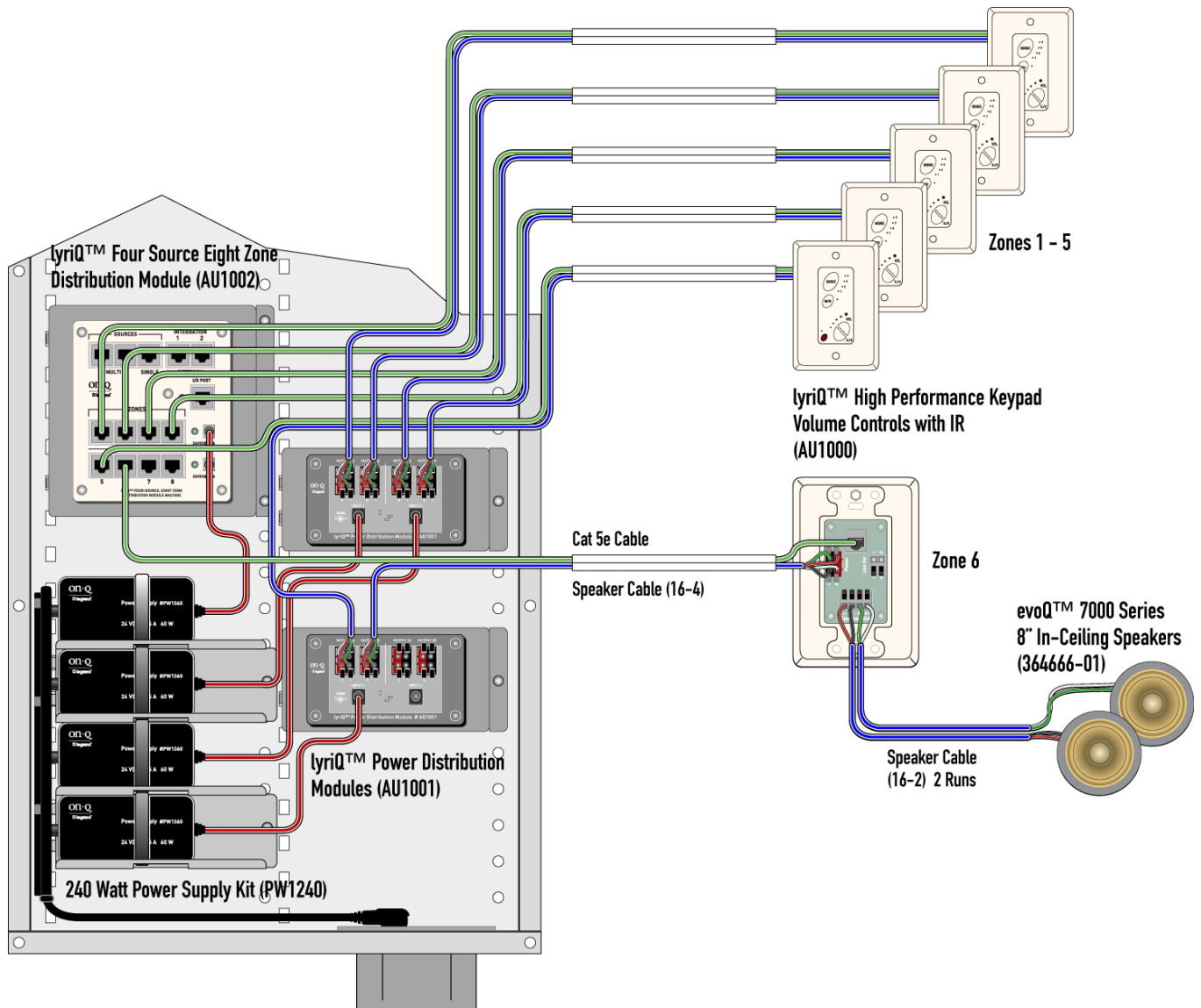


Figure 6