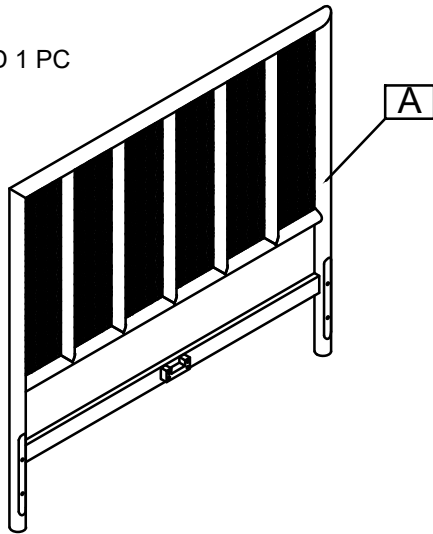


# DORSEY WOOD CAL KING BED ASSEMBLY INSTRUCTIONS



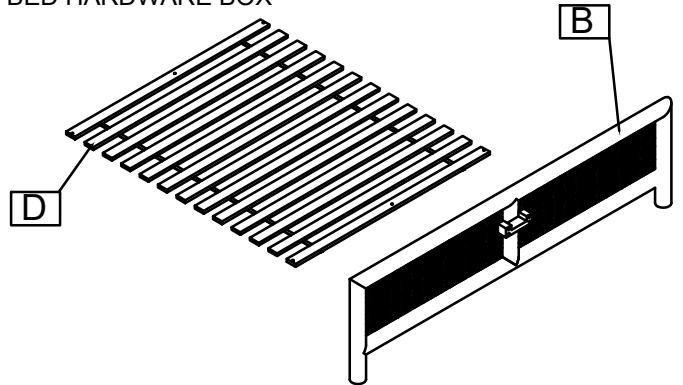
BOX #1

A. HEADBOARD 1 PC



BOX #2

B. FOOTBOARD 1 PC  
D. SLAT ROLL 1 SET  
BED HARDWARE BOX

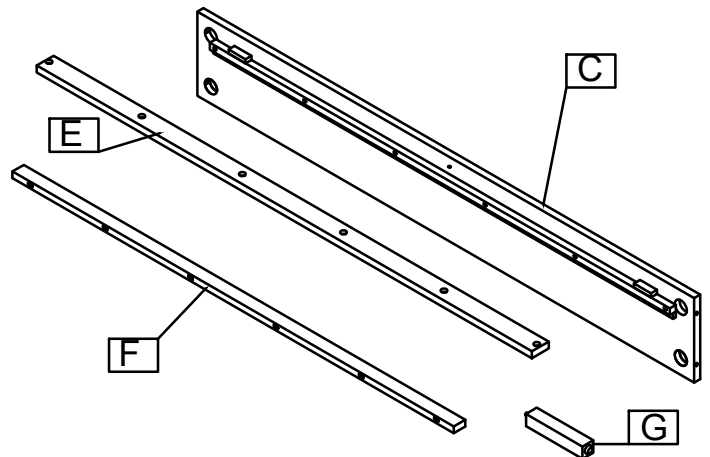


## HARDWARE KIT PACKED IN BOX #2

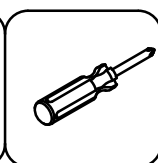
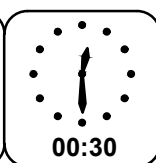
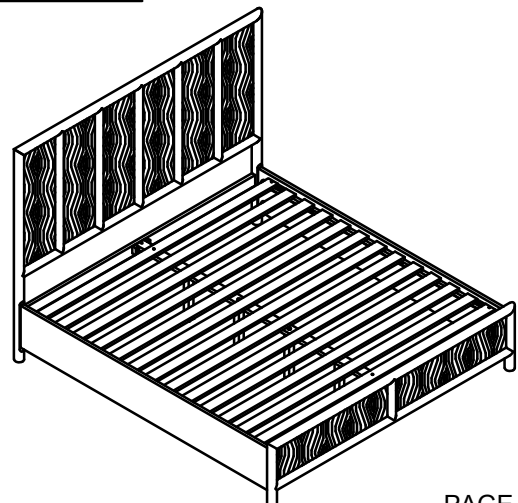
No.	DESCRIPTION	IMAGE	QUANTITY
1	ALL- THREAD BOLT (5/16"x80mm)		8 PCS
2	THREADED HALF MOON WASHER NUT (5/16")		8 PCS
3	SPANNER		1 PC
4	WOOD SCREW (4x30mm)		8 PCS
5	ALLEN KEY		1 PC
6	ALLEN BOLT (1/4"x50mm)		12 PCS
7	LOCK WASHER (5/16")		12 PCS
8	FLAT WASHER (1/4")		12 PCS

BOX #3 :

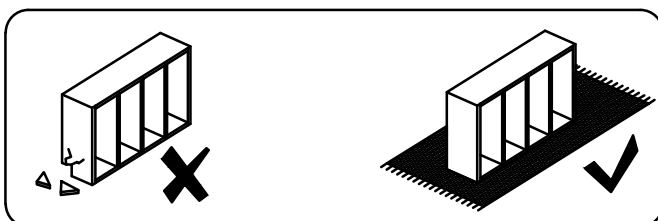
C. SIDE RAIL 2 PCS  
E. CENTER SLAT SUPPORT 1PC  
F. MATTRESS SPACER 2PCS  
G. SUPPORT LEG 4PCS



## FULLY ASSEMBLED



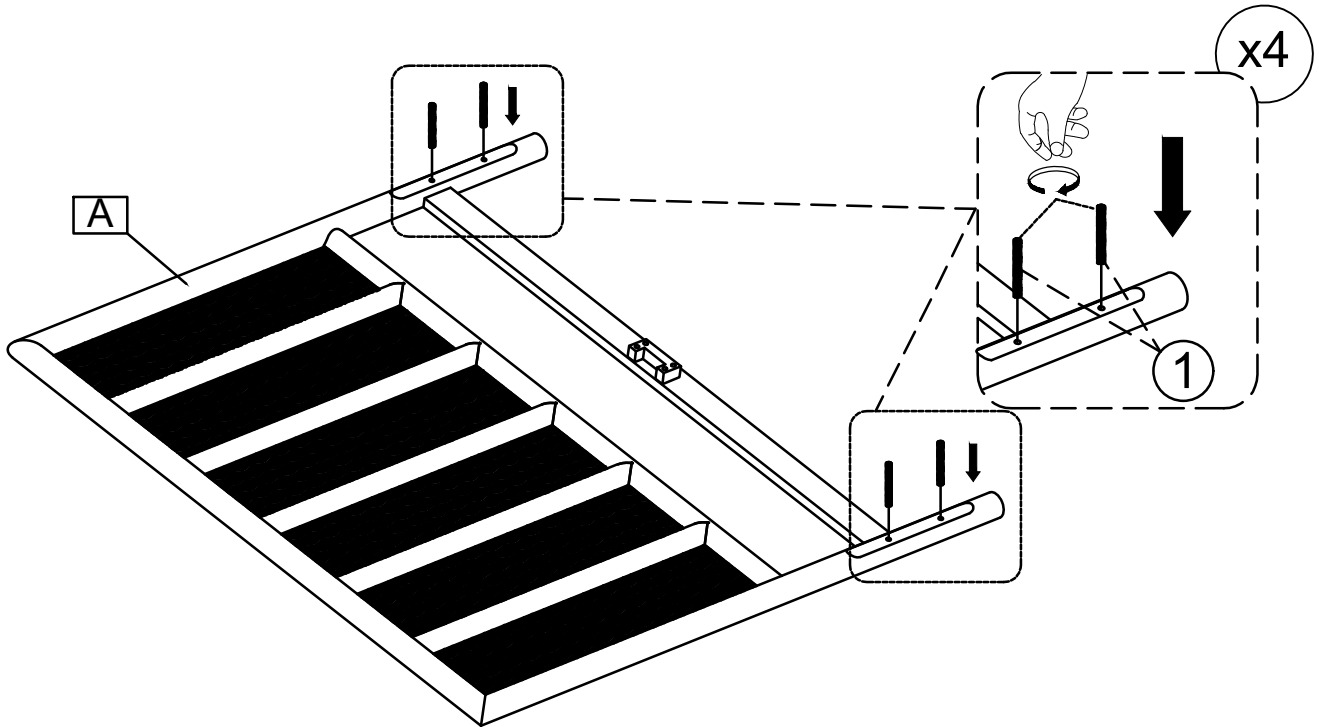
Not provided



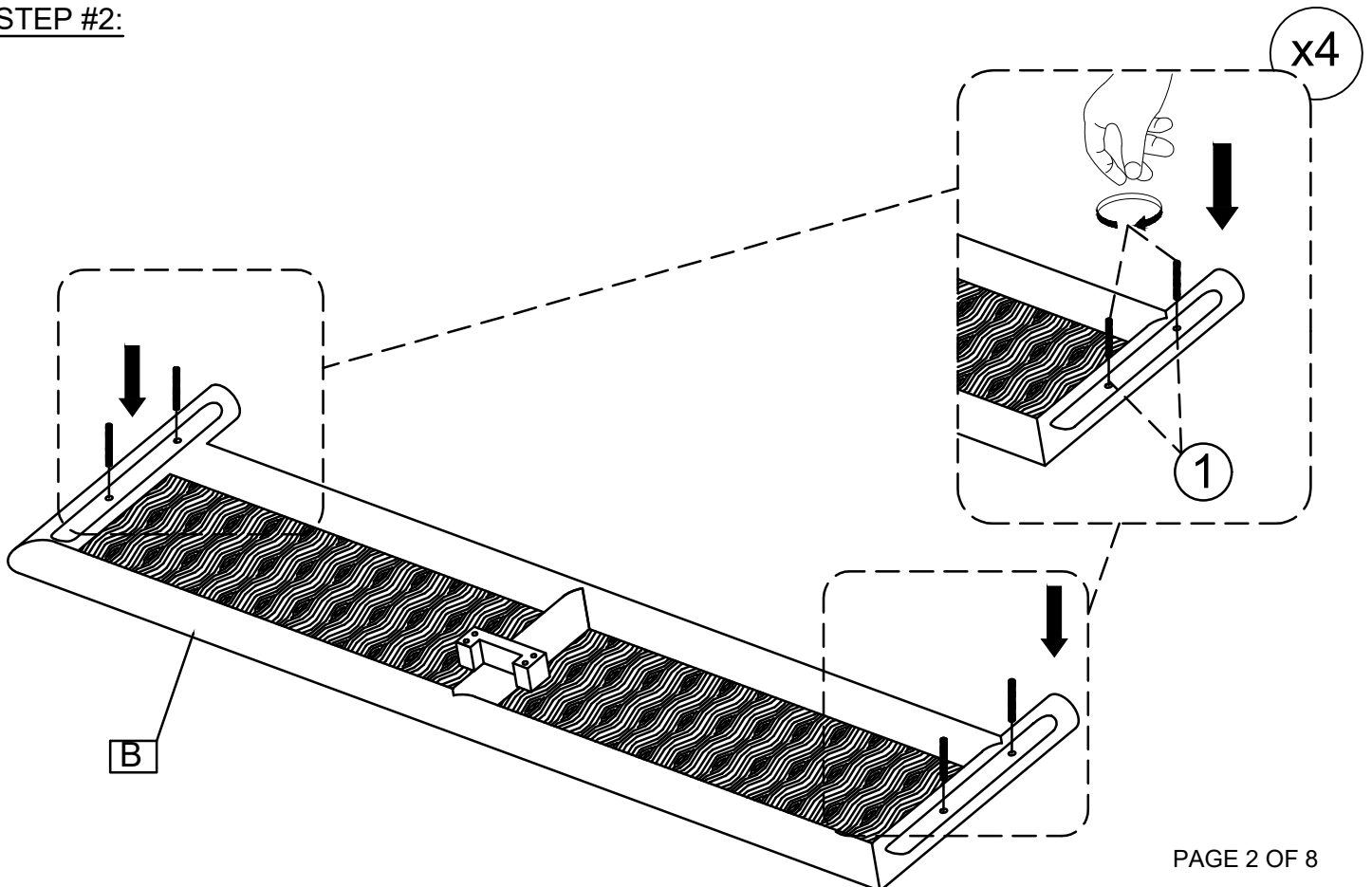
# DORSEY WOOD CAL KING BED ASSEMBLY INSTRUCTIONS



## STEP #1:



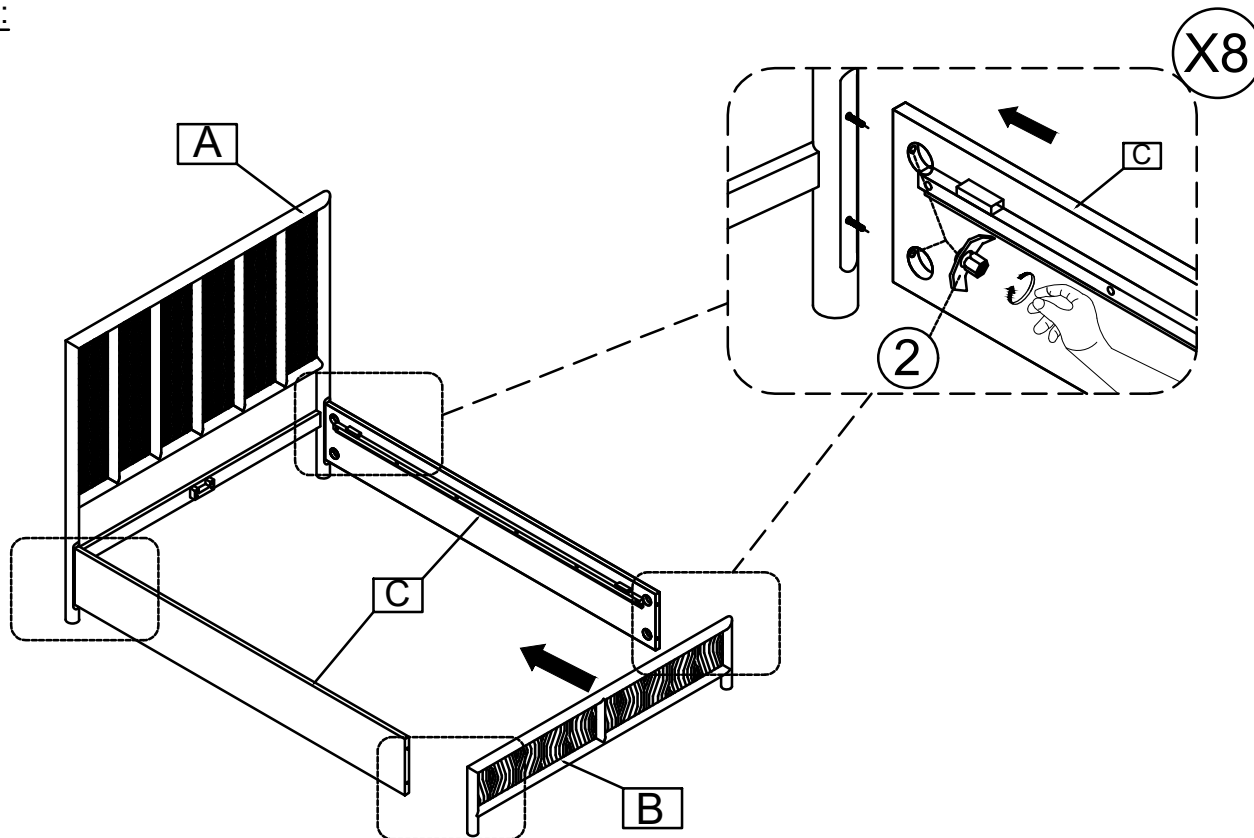
## STEP #2:



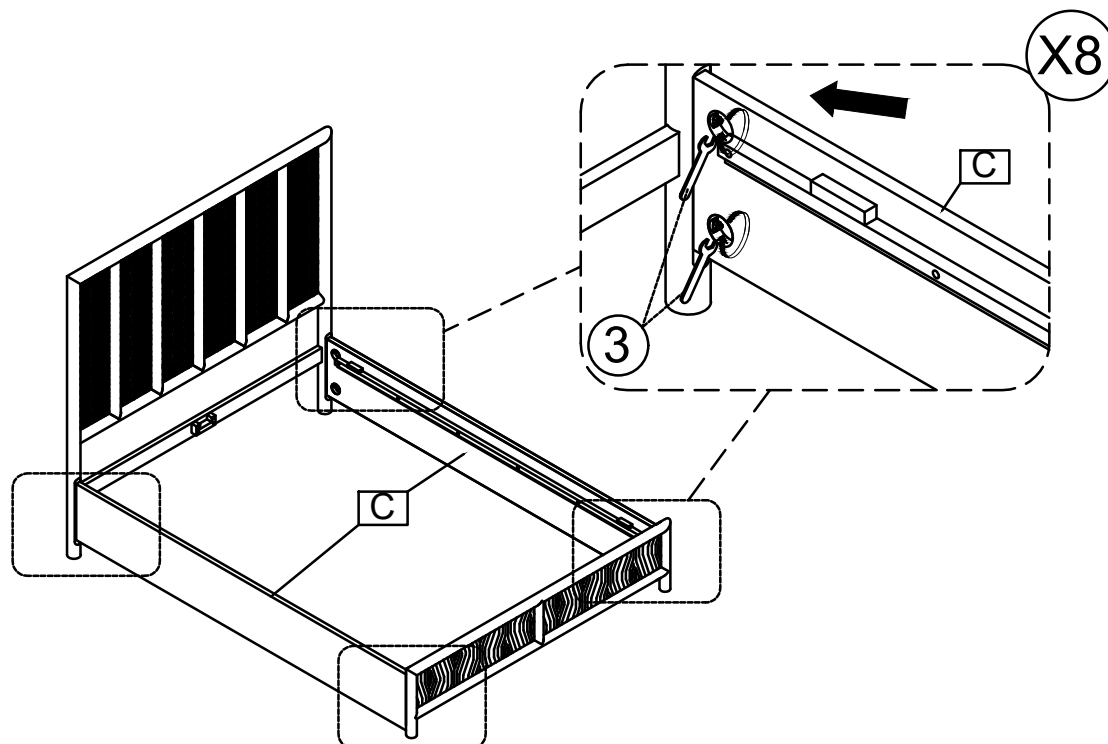
# DORSEY WOOD CAL KING BED ASSEMBLY INSTRUCTIONS



## STEP #3:



## STEP #4:



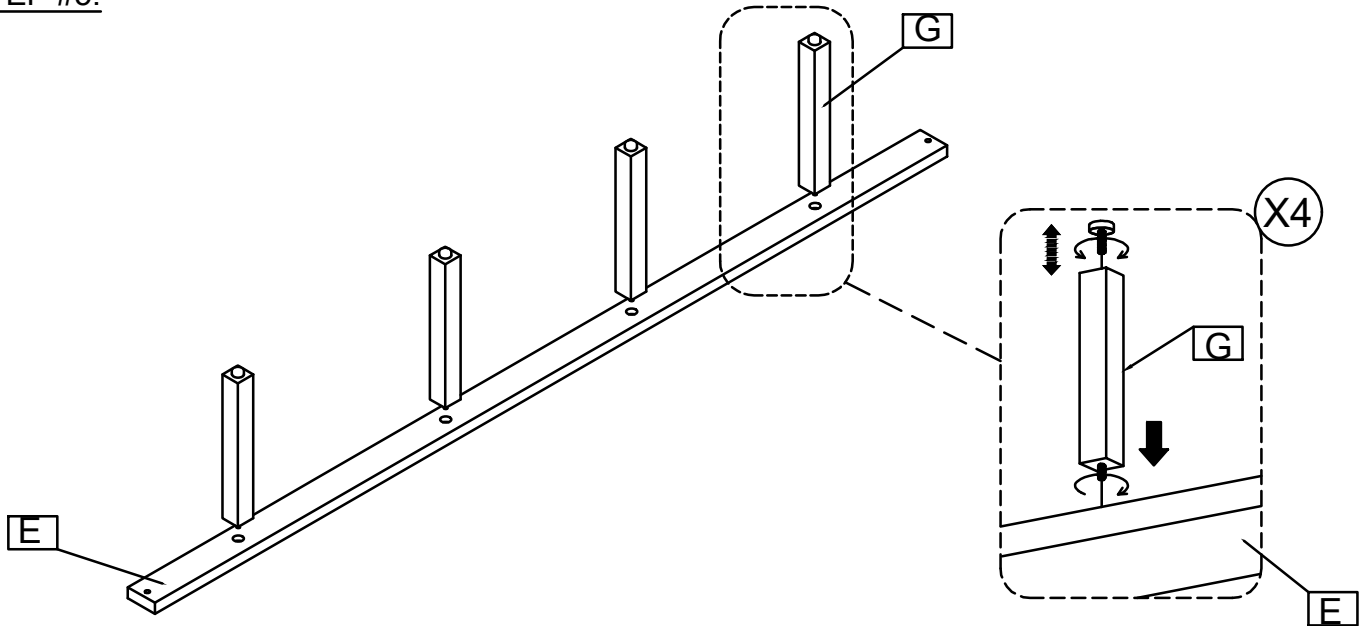
# DORSEY WOOD CAL KING BED ASSEMBLY INSTRUCTIONS



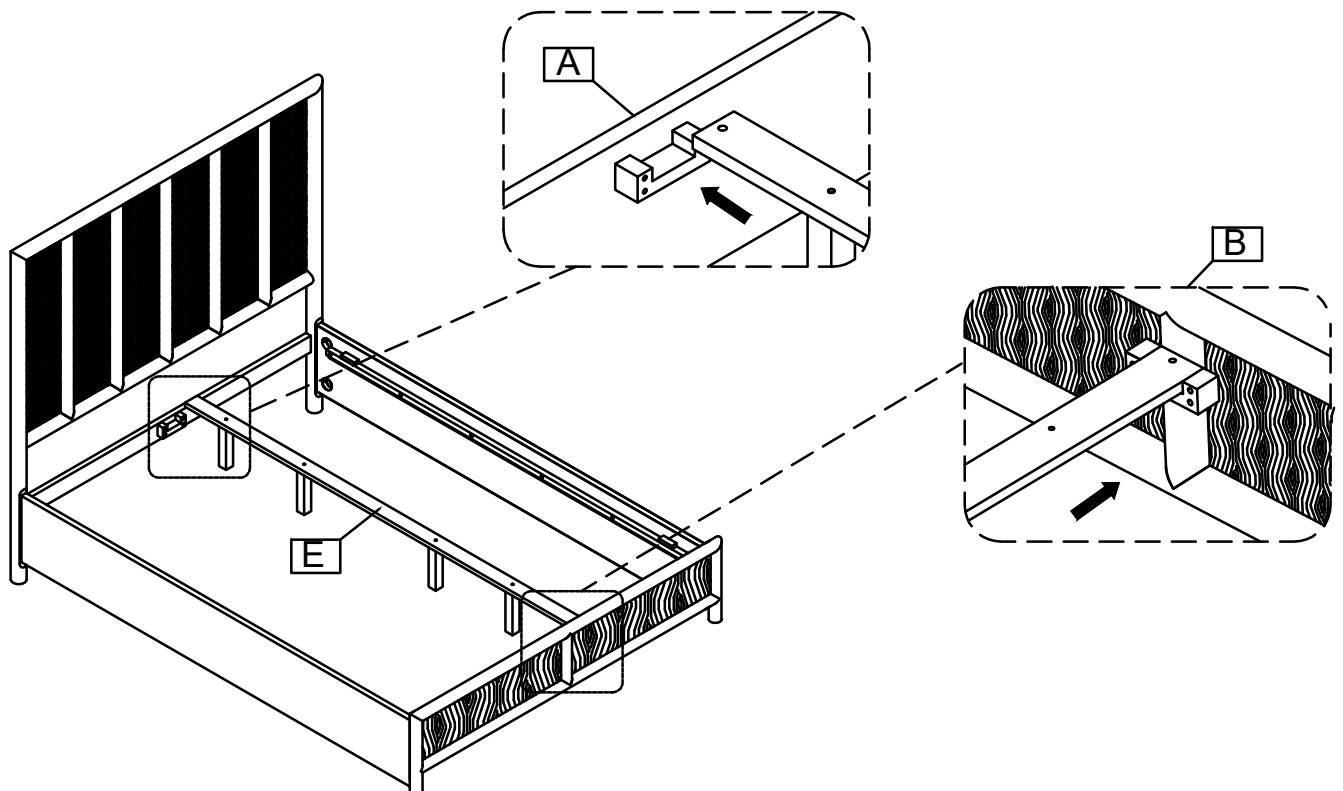
## STOP

- \* IF USING BED FRAME WITH ADJUSTABLE MATTRESS BASE, SKIP TO APPENDIX A: ADJUSTABLE MATTRESS BASE ASSEMBLY SUPPLEMENT.
- \* IF USING BED FRAME WITH STANDARD BOX SPRING OR FOUNDATION CONTINUE TO STEP 5.

### STEP #5:



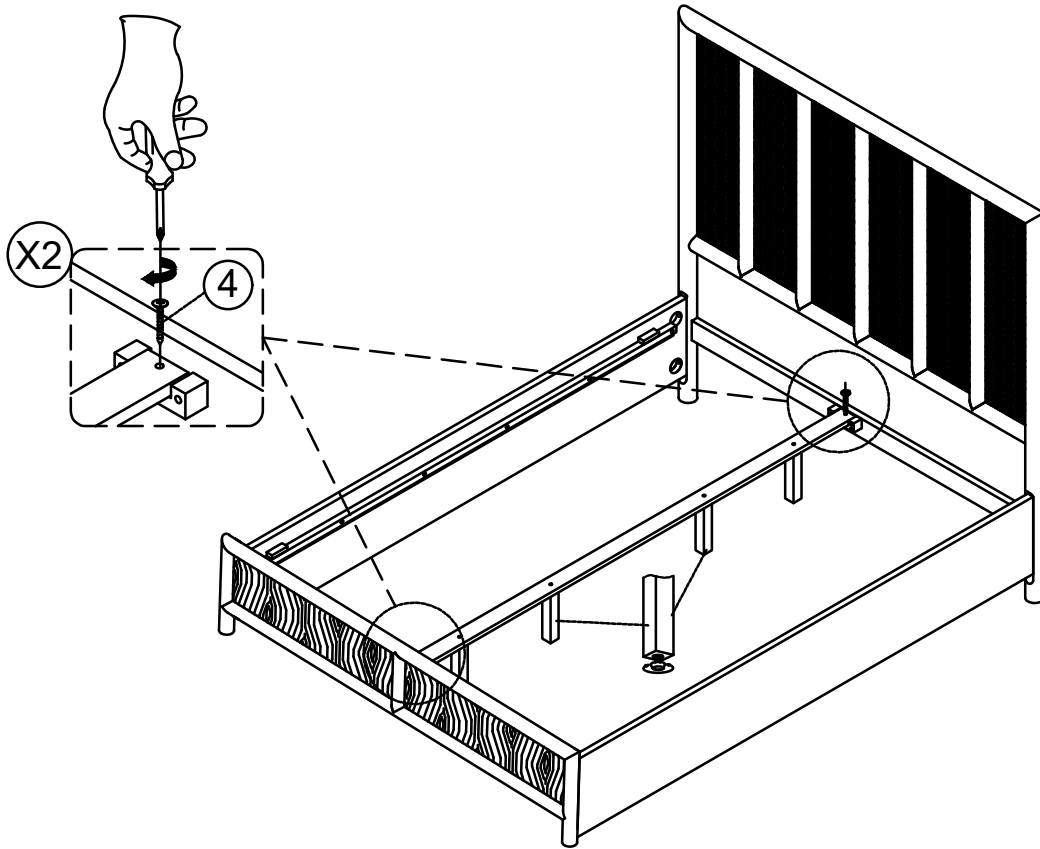
### STEP #6:



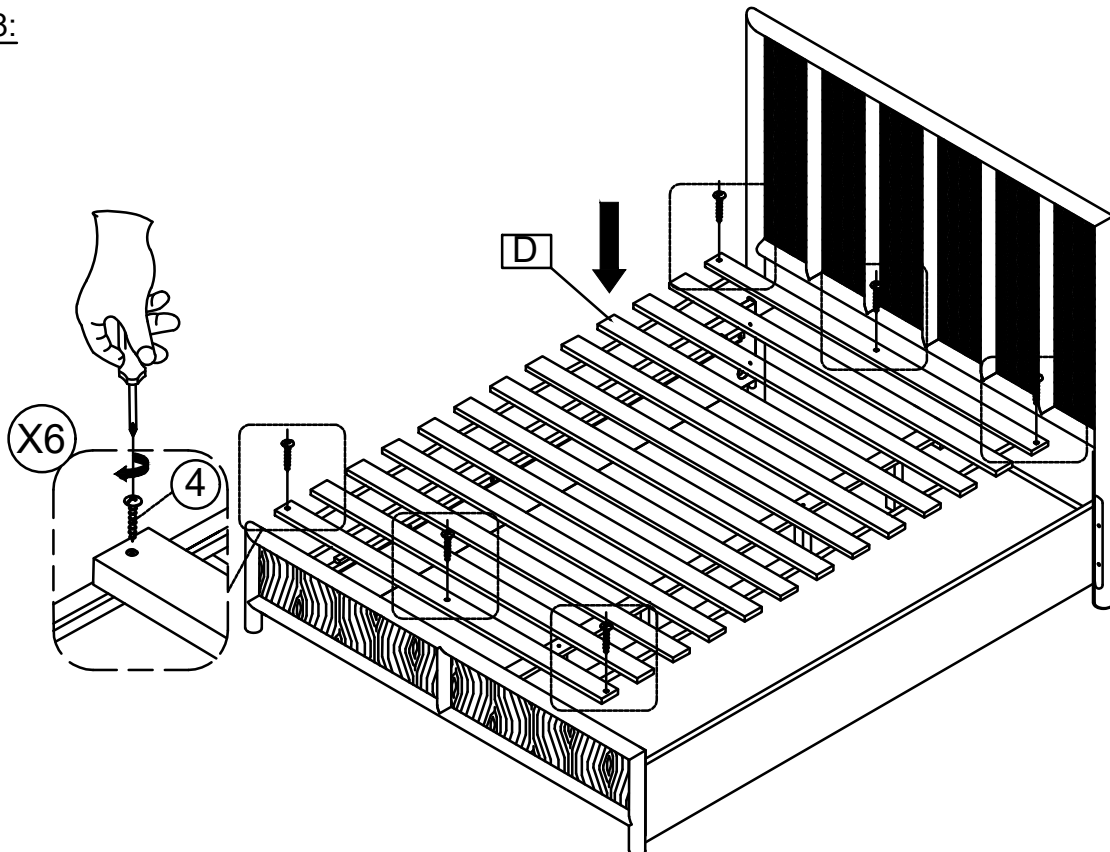
# DORSEY WOOD CAL KING BED ASSEMBLY INSTRUCTIONS



## STEP #7:



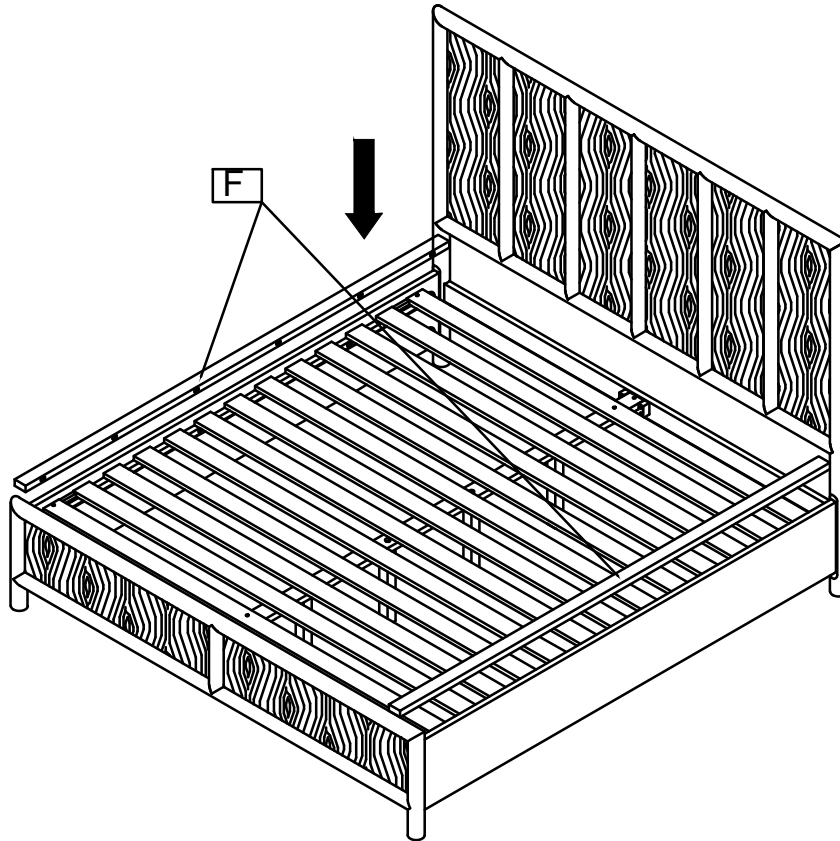
## STEP #8:



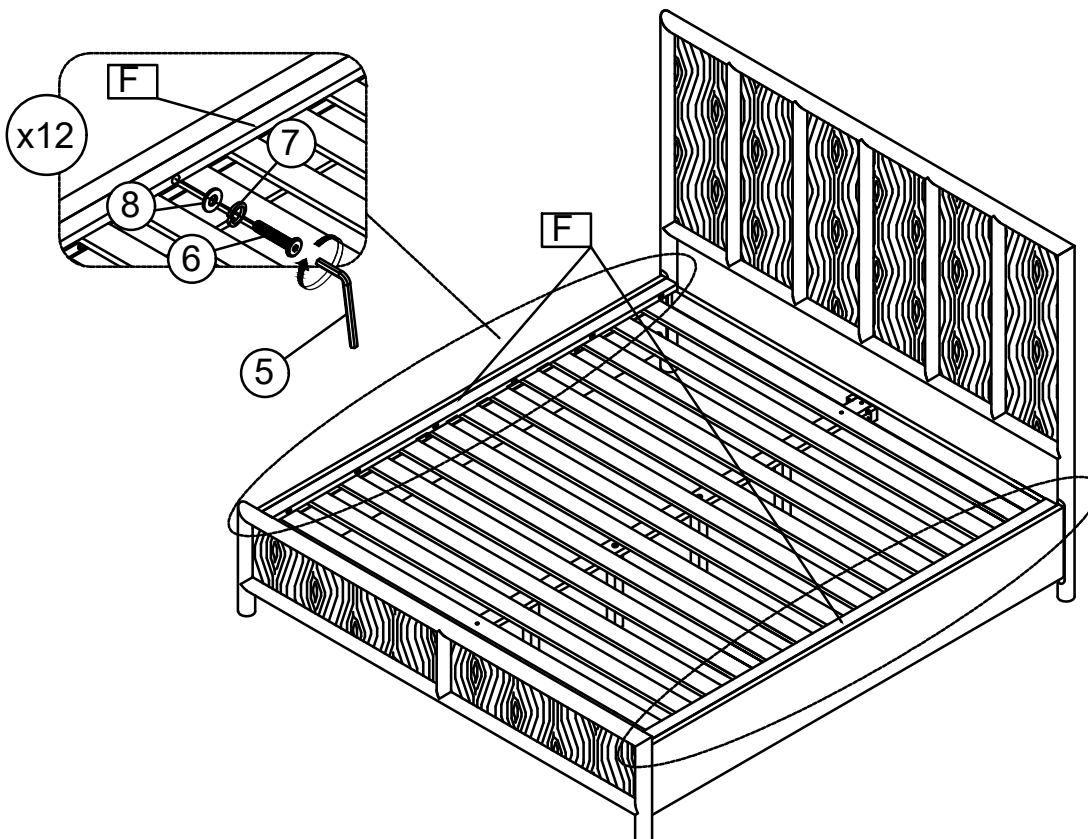
# DORSEY WOOD CAL KING BED ASSEMBLY INSTRUCTIONS



## STEP #9:



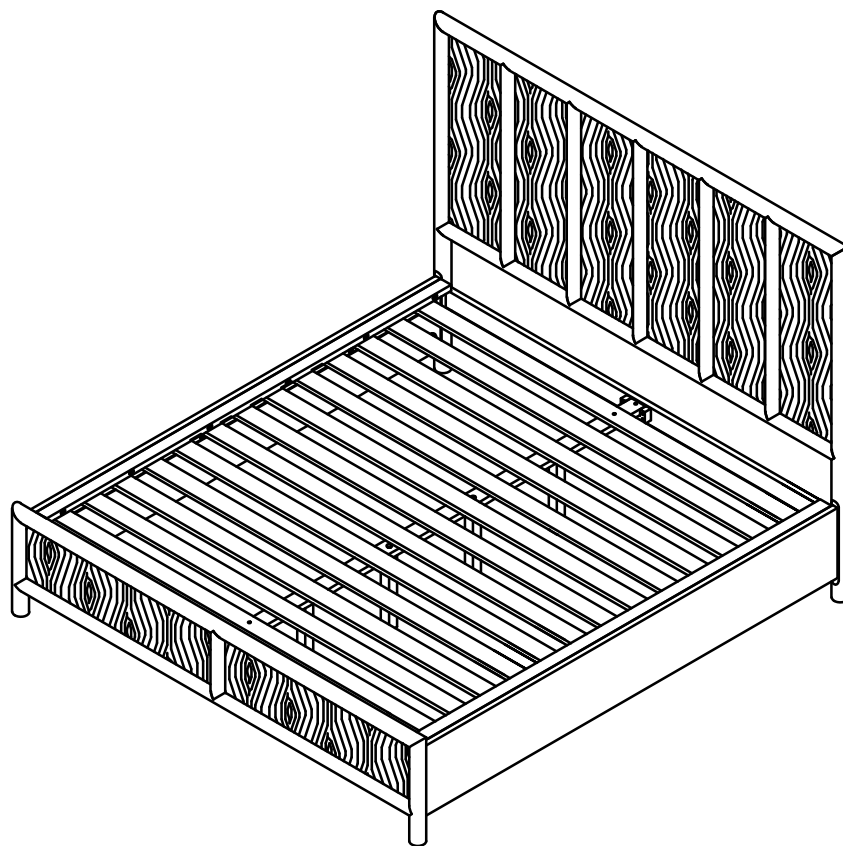
## STEP #10:



# DORSEY WOOD CAL KING BED ASSEMBLY INSTRUCTIONS

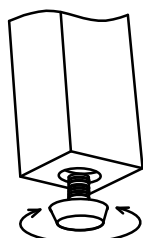


ASSEMBLY COMPLETE.



## INSTRUCTIONS FOR ADJUSTING LEVELER:

- . POSITION THE BED IN YOUR SPACE AND LOCATE THE LEVELER UNDER EACH SUPPORT LEG.
- . TURN THE LEVELER COUNTER- CLOCKWISE TO EXTEND THE LEVELER AND CLOCKWISE TO RETRACT IT.
- . ADJUST EACH LEVELER UNTIL EACH SUPPORT LEG IS APPLYING EQUAL, UPWARD PRESSURE ON THE BED SUPPORT SLAT.



## MAINTENANCE INSTRUCTION:

- . REMOVE BOX SPRING AND MATTRESS BEFORE MOVING YOUR BED.
- . LIFT YOUR BED WHEN MOVING IT. DRAGGING CAN DAMAGE THE LEG SUPPORT.
- . READJUST LEVELERS AFTER MOVING YOUR BED.

# DORSEY WOOD CAL KING BED ASSEMBLY INSTRUCTIONS



## APPENDIX A: ADJUSTABLE MATTRESS BASE ASSEMBLY SUPPLEMENT

AN ADJUSTABLE MATTRESS BASE IS A FREESTANDING MATTRESS SUPPORT THAT SITS WITHIN THE PERIMETER OF THE BED FRAME.

IF USING THIS BED FRAME WITH A STANDARD BOX SPRING OR FOUNDATION THESE INSTRUCTIONS DO NOT APPLY.  
PRE-ASSEMBLED SIDE RAIL CLEATS OBSTRUCT ADJUSTABLE BASE INSTALLATION AND OPERATION.  
FOLLOW THESE INSTRUCTIONS TO REMOVE THEM.

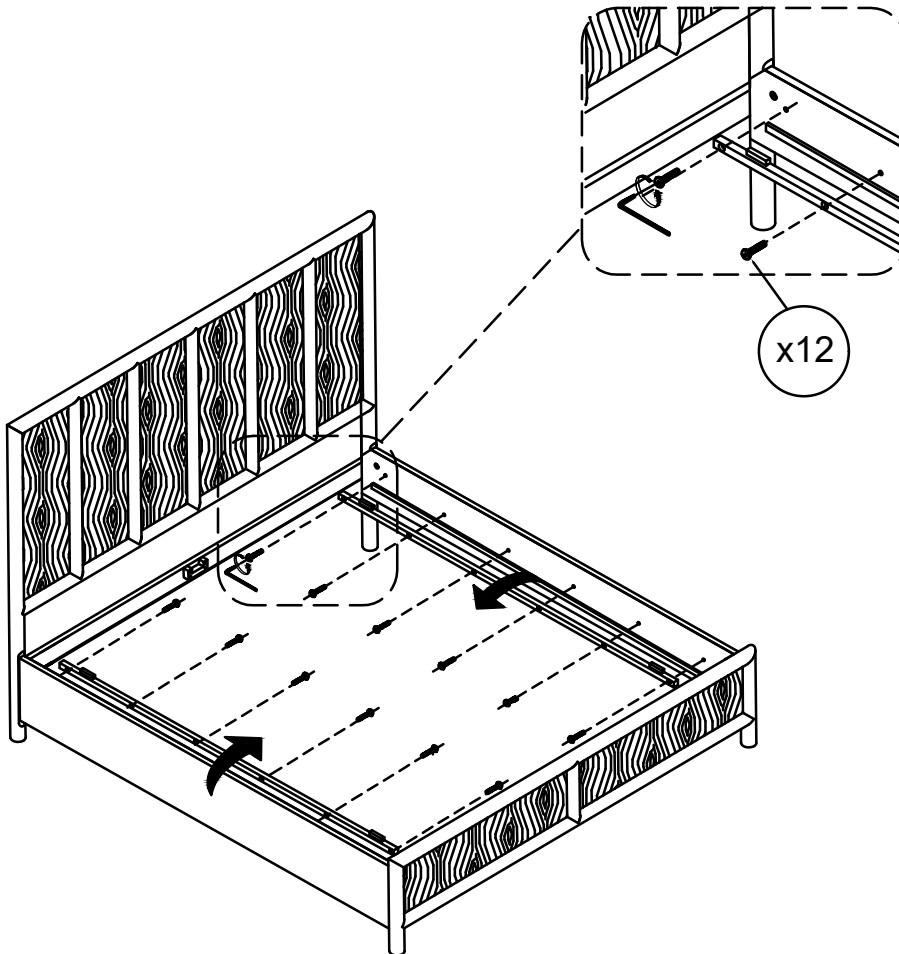
THE FOLLOWING PARTS ARE NOT REQUIRED FOR ADJUSTABLE MATTRESS BASE INSTALLATION:

- D. SLAT ROLL 1SET
- E. CENTER SLAT SUPPORT 1PC
- F. MATTRESS SPACER 2PCS
- G. SUPPORT LEG 4PCS

- 4. WOOD SCREW (4x30MM) 8PCS
- 6. ALLEN BOLT (1/4x50MM) 12PCS
- 7. LOCK WASHER (5/16") 12PCS
- 8. FLAT WASHER (1/4") 12PCS

### STEP 1:

USE ALLEN KEY (5) IN BOX #2 TO UNSCREW ALLEN BOLTS AND REMOVE PRE-ASSEMBLED SIDE RAIL CLEATS.



NOTE: YOU MAY WISH TO RETAIN UNUSED PARTS IF IN THE FUTURE YOU INTEND TO USE THE BED FRAME WITH A STANDARD BOX SPRING OR FOUNDATION