

# DOUBLE CHAISE ROCKING LOUNGER PL-625



## ! HELPFUL HINTS:



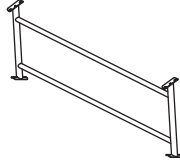




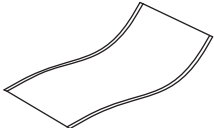



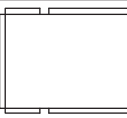
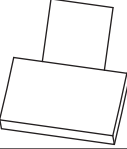




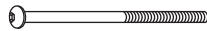



Sunnydaze advises reading this manual fully, and assembling the item soon after purchase. Check that all parts are accounted for and familiarize yourself with the assembly before beginning.

Assemble components on a soft, clean surface to avoid scratching/damaging the finish.

Do not fully tighten hardware until the entire unit has been loosely assembled.

Save this manual for future reference.

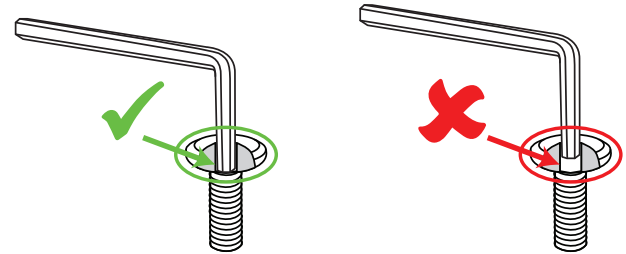
# COMPONENTS

| No. | PARTS   |                           | QTY. |
|-----|---|---------------------------|------|
| A   |    | Arm                       | 2    |
| B   |    | Leg                       | 2    |
| C   |    | Side Panel                | 2    |
| D   |    | Bottom Left Lounger Tube  | 1    |
| E   |    | Bottom Right Lounger Tube | 1    |
| F   |    | Top Left Lounger Tube     | 1    |
| G   |    | Top Right Lounger Tube    | 1    |
| H   |    | Lounger Fabric            | 1    |
| I   |   | Bottom Canopy Side Tube   | 2    |
| J   |  | Top Canopy Side Tube      | 2    |
| K   |  | Canopy Spreader Bar       | 3    |
| L   |  | Canopy Fabric             | 1    |
| M   |  | Pillow                    | 2    |
| N   |  | Spacer                    | 4    |
| O   |  | Cap                       | 2    |
| P   |  | M6 x 18mm Bolt            | 16   |
| Q   |  | M6 x 45mm Bolt            | 6    |
| R   |  | M8 x 95mm Bolt            | 4    |
| S   |  | M6 x 40mm Bolt Set        | 2    |
| T   |  | Hex Key (M6, M8)          | 2    |
| U   |  | Spanner                   | 1    |



Inspect packaging to ensure all parts are accounted for before disposing of packing materials.

**Tip:** Always fully insert the hex key inside the designated notch of the bolt.



If the hex key is not fully inside the notch, the hex key could slip out, causing damage to the bolt head. Repeated hex key slipping will cause the notch to become rounded, making it difficult or impossible to tighten the bolt with the hex key.

## ATTENTION!

**Do not fully tighten any hardware until all components are loosely connected.** If each bolt is fully tightened too soon, the mounting holes may not align and parts may not easily fit together.

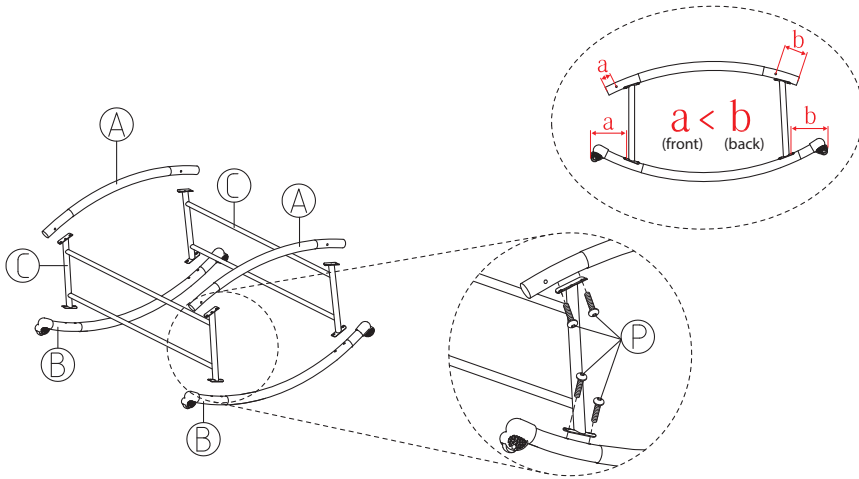
Turn each bolt, by hand, 2-3 times or until the screw grips into the mounting hole. Continue this process until all bolts have been installed. Tighten all hardware after the product is completely set up.

## ⚠ WARNING ⚠

**CHOKING HAZARD** — This item contains small parts that can be swallowed by children. Keep children away during assembly.

# ASSEMBLY

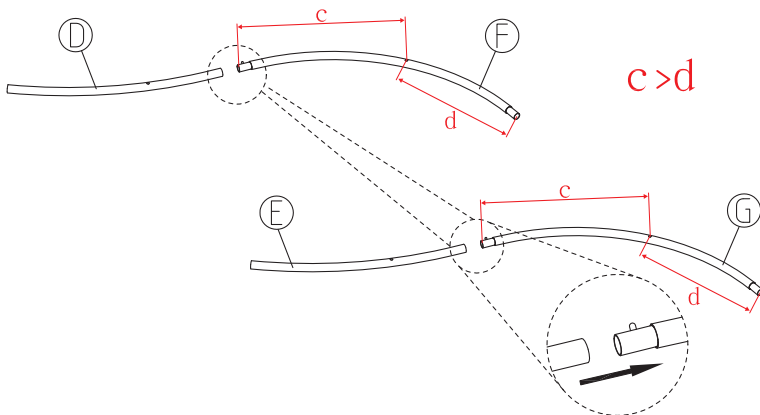
**Read carefully and understand assembly before beginning.  
Do not fully tighten hardware until all components have been loosely assembled.**



## STEP 1

**IMPORTANT:** Identify front/short side (a) and back/long side (b) of the arms and legs, as shown. Ensure all short and long sides are installed on the same end.

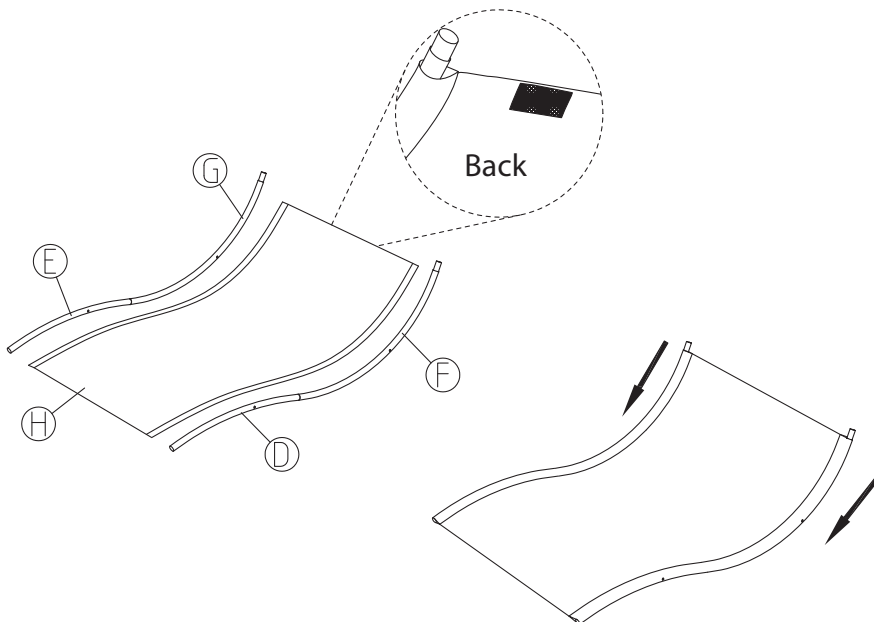
- Loosely secure Side Panels (C) to Legs (B) using eight M6 x 18mm Bolts (P).
- Loosely secure Arms (A) to Side Panels (C) using eight M6 x 18mm Bolts (P).



## STEP 2

**IMPORTANT:** Identify long side (c) and short side (d) on the top lounge tubes, as shown.

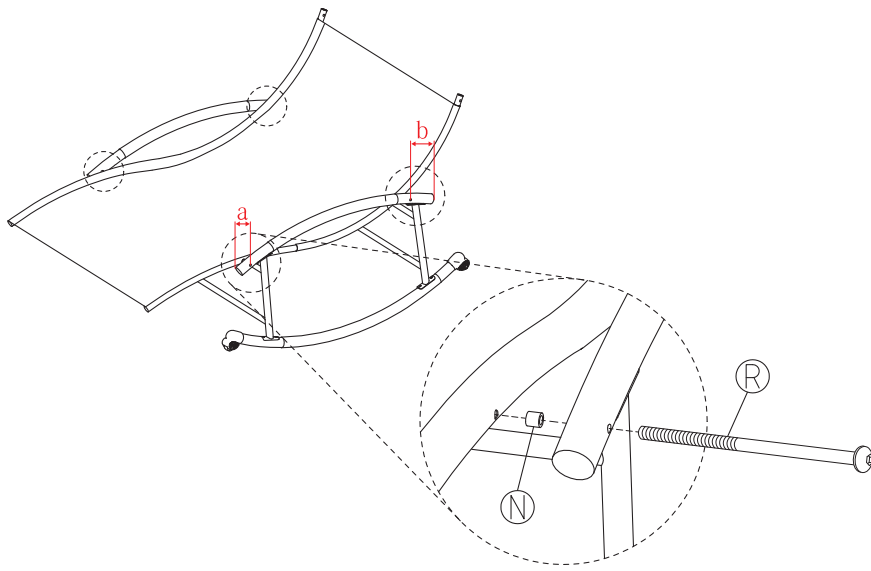
- Press the button spring clip on the long side of Top Left Lounge Tube (F) and slide it into the mounting hole on Bottom Left Lounge Tube (D), the button will snap into place.
- Press the button spring clip on the long side of Top Right Lounge Tube (G) and slide it into the mounting hole on Bottom Right Lounge Tube (E), the button will snap into place.



## STEP 3

**IMPORTANT:** Ensure the hook and loop fastener on the lounge fabric is installed on the top, back side of the lounge tubes.

- Ensure the loop fastener strip on the back of Lounge Fabric (H) is on the same end as Top Right Lounge Tube (G) and Top Left Lounge Tube (F).
- Slide the fabric over the lounge tubes, ensuring the holes on the sides of the lounge fabric align with the mounting holes on the lounge tubes.

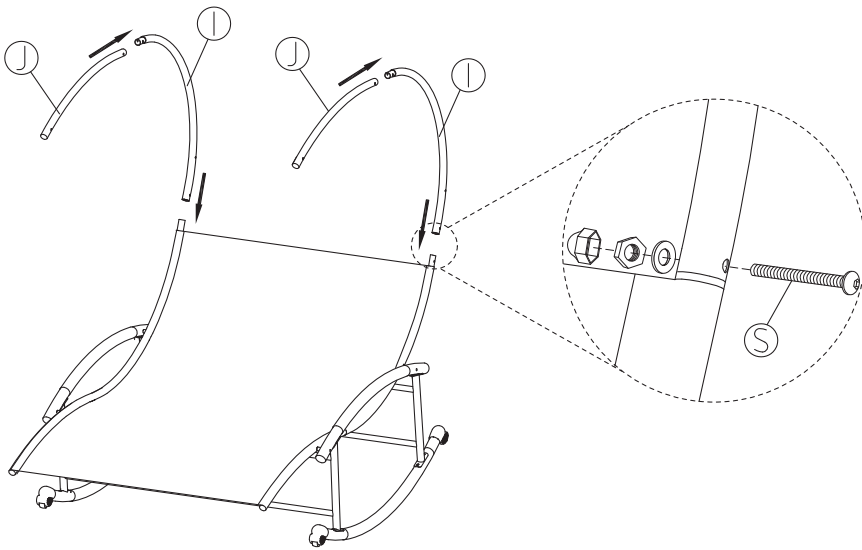


## STEP 4

**IMPORTANT:** Ensure the lounger fabric is installed in the correct direction; Top Lounger Tubes (G, F) install on back side (b).

**NOTE:** Assistance is highly recommended for this step to ensure hardware is installed straight. Failure to install hardware straight, may damage the mounting holes and/or cause the bolt threads to strip.

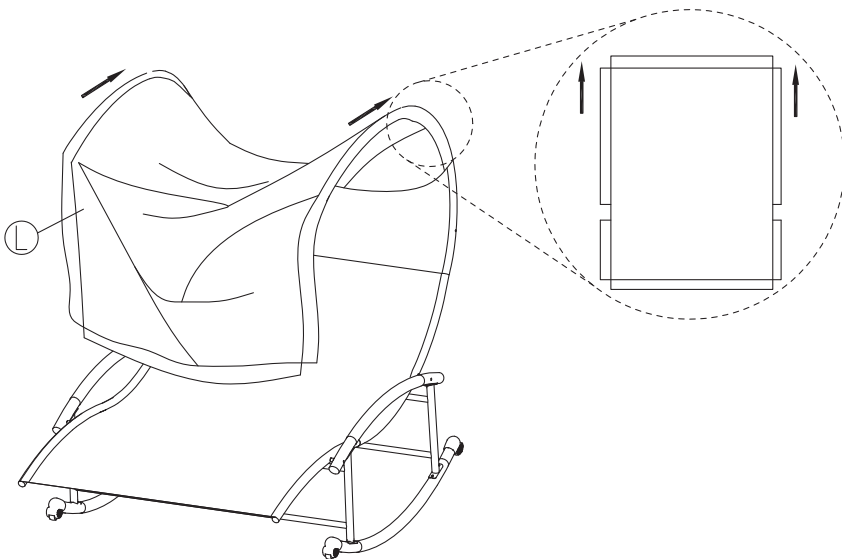
- Ensure the lounger fabric is facing the correct direction; Top Lounger Tubes (G, F) must be installed on back side (b).
- Insert M8 x 95mm Bolt (R) through the mounting hole in the arm, through Spacer (N), and into the mounting hole of the lounger tube.
- Repeat this step until the lounger is loosely secured to the rocking frame.



## STEP 5

- Align the mounting holes on Bottom Canopy Side Tube (I) with the lounger tubes and Firmly secure using M6 x 40mm Bolt Set (S).
- Slide Top Canopy Side Tube (I) onto the bottom canopy side tube, ensuring the mounting holes align.

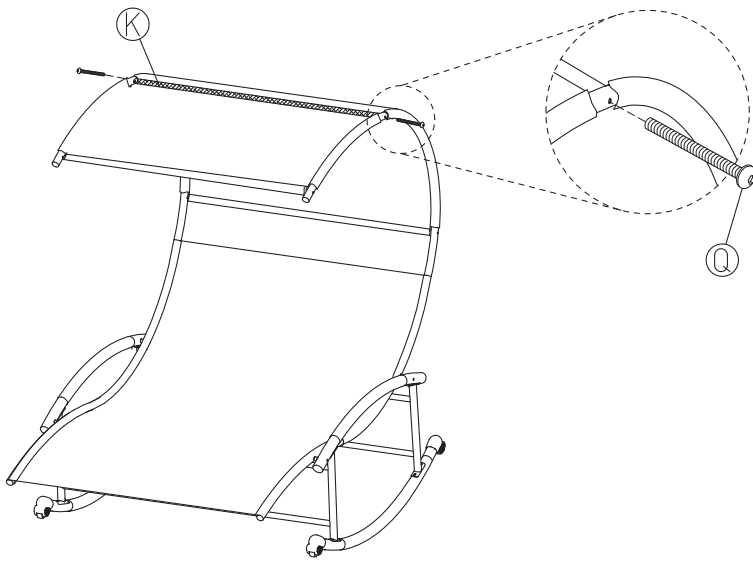
**NOTE:** The top and bottom canopy tubes will be secured later.



## STEP 6

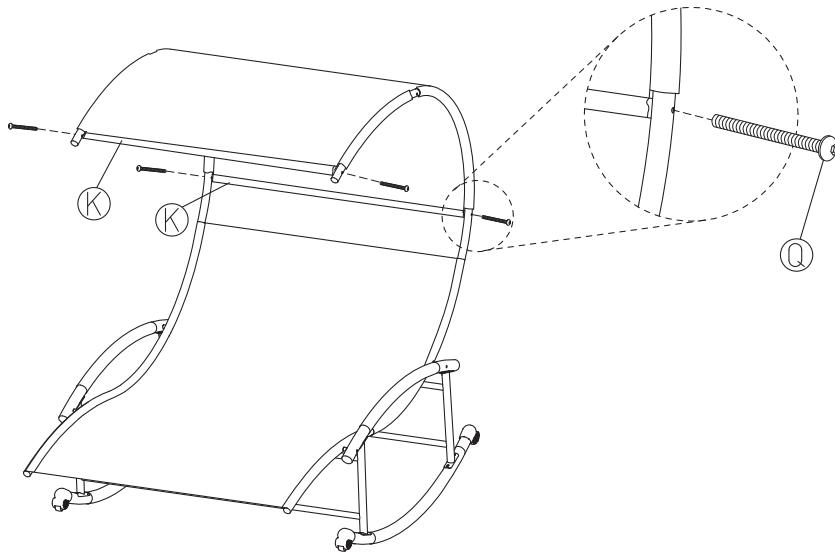
**IMPORTANT:** The canopy fabric must be installed correctly to ensure the canopy tube mounting holes are accessible.

- Slide Canopy Fabric (L) onto the canopy side tubes, ensuring the longer section of fabric is slid onto the tubes first, as shown.



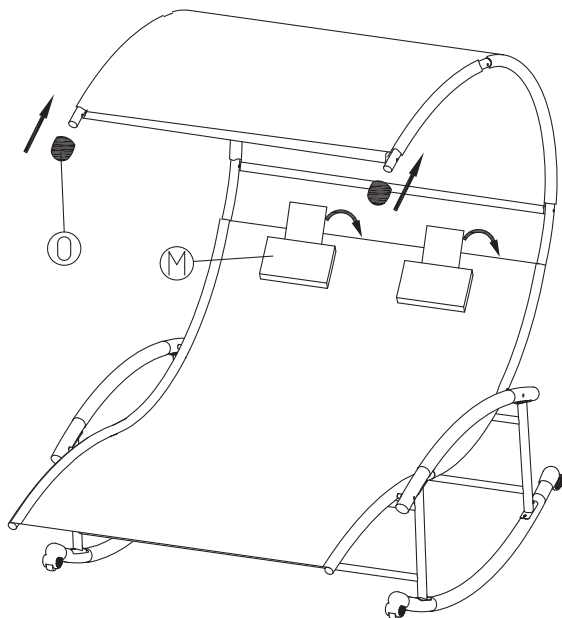
## STEP 7

- Align Canopy Spreader Bar (K) with the mounting holes in the canopy side tubes. Loosely secure using two M6 x 45mm Bolts (Q). **Hand-tighten only.**



## STEP 8

- Slide Canopy Spreader Bar (K) through the bottom of the canopy fabric and loosely secure using two M6 x 45mm Bolts (Q).
- Slide Canopy Spreader Bar (K) through the top of the canopy fabric and loosely secure using two M6 x 45mm Bolts (Q).
- Fully tighten all hardware on the canopy, arms, and rocking frame.



## STEP 9

- Install Cap (O) onto the canopy tubes.
- Secure Pillows (M) to the lounge with the hook and loop fastener system.

# USE & CARE

It is important to follow basic use & care tips to prolong the life of your lounger.

- **SAFE USE:** This unit is designed for gentle, relaxation purposes only; avoid excessive rocking. Supervise children at all times. Do not allow children to play on or sleep in this unit.
- **INSPECTION:** Ensure the unit is assembled correctly. Check that all hardware is securely tightened before each use.
- **SUN EXPOSURE:** All fabrics will eventually fade from sun exposure. Maintain fabric color and integrity by covering and/or storing the unit when not in use. Cover not included.
- **STORAGE:** Store in a cool, dry location to prevent damage and/or rust that may result from exposure to moisture and weather elements.
- **SCRATCHES:** The powder coating on the stand and frame is tough and durable but, even under normal use, some scratching is inevitable. To avoid excessive rust, wipe off moisture as necessary. Scratches can be repaired using a rust-resistant paint, visit your local hardware store to purchase paint and carefully follow application as noted by the paint manufacturer.

**WARNING: THE ONE-YEAR WARRANTY DOES NOT COVER DAMAGES OR DEFECTS CAUSED BY THE APPLICATION OF CHEMICAL TREATMENTS OR PROTECTIVE COATINGS.**

## CLEANING

*Do not use harsh chemicals or abrasive materials to clean the furniture.*

 **HAND-WASH ONLY**

 **DO NOT USE BLEACH**

 **DO NOT USE A PRESSURE WASHER**

- Brush, vacuum or use a garden hose to remove loose dirt and debris. If using a hose with a spray nozzle, only use gentle or medium pressure settings.
- For fabric stains, gently scrub using warm water and a soft cloth. For more stubborn stains, mix a solution of warm water and a mild soap. Make sure all soap residue is thoroughly rinsed off the unit.
- Dry the frame and lounger fabric with a soft towel. Hang pillows to dry. Allow the canopy fabric to thoroughly air-dry.

## SAFETY STATEMENTS & WARNINGS

- Do not exceed the weight limit: 440 pounds
- Install all parts in accordance with the assembly instructions and inspect the unit before use.
- Ensure all hardware is securely installed and tightened before each use.
- Always inspect the assembly points and lounger fabric for damage before each use.
- Do not allow children to use this product without adult supervision. This rocking lounger is NOT a TOY.

**Any modification to the product or failure to follow recommended care will void the product warranty.**

## **WARNING:**

**Manufacturer and seller expressly disclaim any and all liability from personal injury, property damage or loss, whether direct or indirect, or incidental, resulting from the incorrect attachment, improper use, inadequate maintenance, or neglect of this product.**