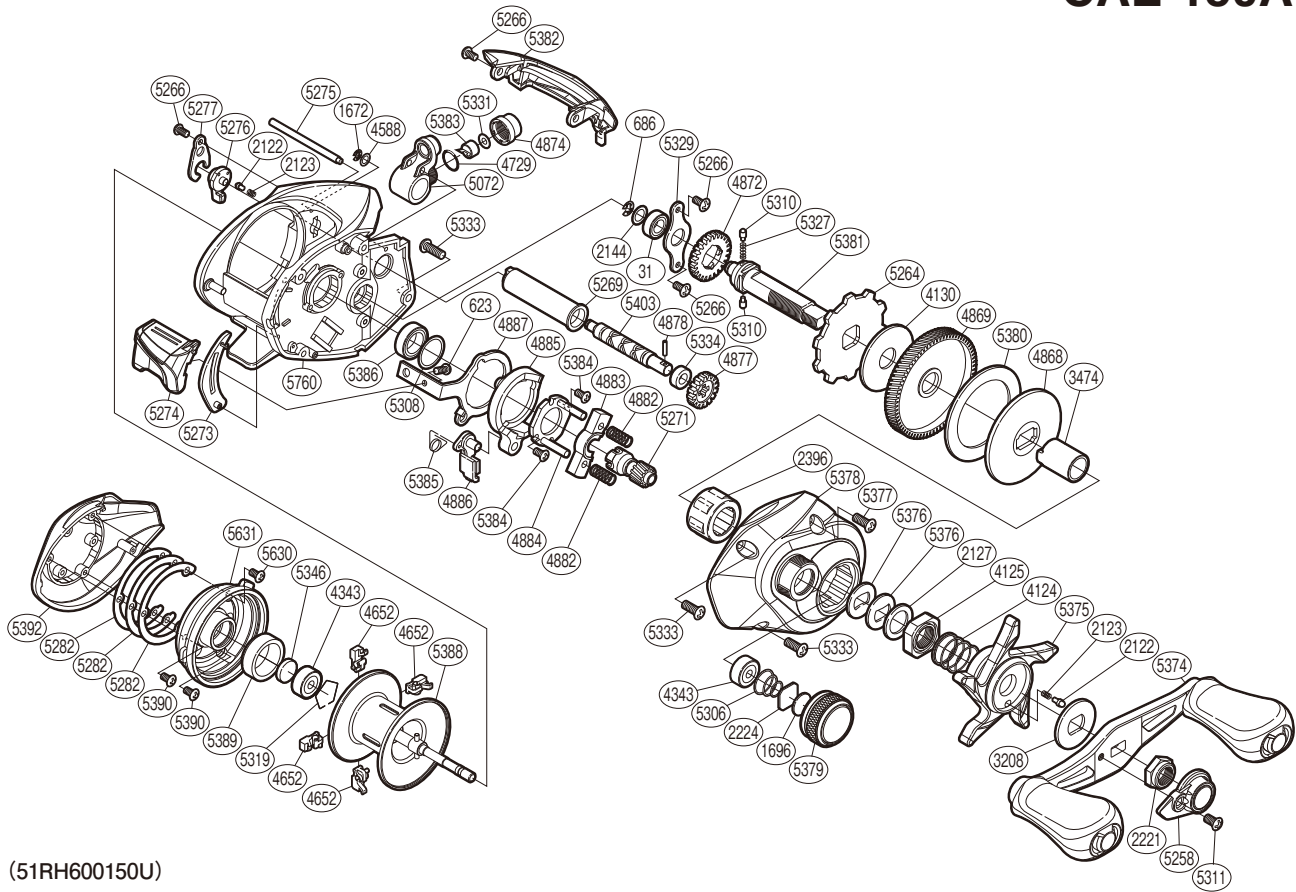


SHIMANO

CAENAN

CAE-150A



(51RH600150U)

#	Part No.	Description	#	Part No.	Description	#	Part No.	Description
31	105BL	Ball Bearing	4878	10AEZ	Worm Shaft Pin	5331	104TX	Spacer
623	103C0	Screw	4882	10487	Yoke Spring	5333	10LFC	Screw
686	105NK	E Lock	4883	1046V	Yoke	5334	10PXZ	Bushing
1672	105NC	E Lock	4884	10F3X	Clutch Cam Retainer	5346	10EX5	Spacer B
1696	10896	Cast Control Spacer	4885	10K0N	Clutch Cam	5374	10DPD	Handle Assembly
2122	10BT0	Click Pin	4886	10MME	Clutch Pawl	5375	10R0G	Star Drag
2123	10BT2	Click Spring	4887	10QGH	Clutch Plate	5376	109F5	Drag Spring Washer
2127	10J1N	Star Drag Spacer	5072	10NVR	Line Guide	5377	10LSZ	Screw
2144	10C47	Washer	5258	10Q5U	Handle Nut Plate	5378	10QZX	Right Side Plate
2221	10FNQ	Handle Nut	5264	10D73	Anti-Reverse Ratchet	5379	10TML	Cast Control Cap
2224	1085F	Spool Tension Spacer	5266	10R1R	Screw	5380	10R3D	Drag Washer
2396	10F5C	Roller Clutch Bearing	5269	10NFX	Level Wind Guard	5381	10R0B	Drive Shaft
3208	10J22	Star Drag Click Plate	5271	10CSA	Pinion Gear	5382	10R11	Level Wind Protector
3474	10MAY	Roller Clutch Inner Tube	5273	10975	Clutch Bar Guide	5383	10BHQ	Line Guide Pawl
4124	10A70	Star Drag Spring	5274	10CDR	Clutch Lever	5384	10L1R	Screw
4125	10A07	Star Drag Nut	5275	10QSH	Stabilizer Bar	5385	104CP	Clutch Pawl Spring
4130	10CHX	Drag Washer	5276	10BAY	Side Plate Cam Lever	5386	10EX6	Ball Bearing
4343	105C3	Ball Bearing	5277	10BGR	Cam Lever Retainer	5388	10DP3	Spool Assembly
4588	10FJZ	Washer	5282	108F0	Washer	5389	10R0N	Brake Ring
4652	1046G	Brake Shoe	5306	10TMT	Spool Tension Spring	5390	10LA4	Screw
4729	108WQ	O Ring	5308	10190	Washer	5392	10R0M	Left Side Plate
4868	10D3H	Key Washer	5310	10HJG	Idle Gear Pin	5403	10TPN	Worm Shaft
4869	10CMB	Drive Gear	5311	10LFC	Screw	5630	101DK	Dial Case Assembly
4872	10J47	Idle Gear	5319	1054D	Bearing Retainer	5760	100DB	Frame Assembly
4874	10FJB	Pawl Cap	5327	10JDY	Idle Gear Spring			
4877	10FNV	Idle Gear	5329	109T1	Drive Shaft Retainer	4692	10LQ0	B-100 Oil (accessory)

Please note that the number of adjusting washers may not be the same as shown in the exploded views.
(Adjustment will vary with each individual product.)

(241029)_006