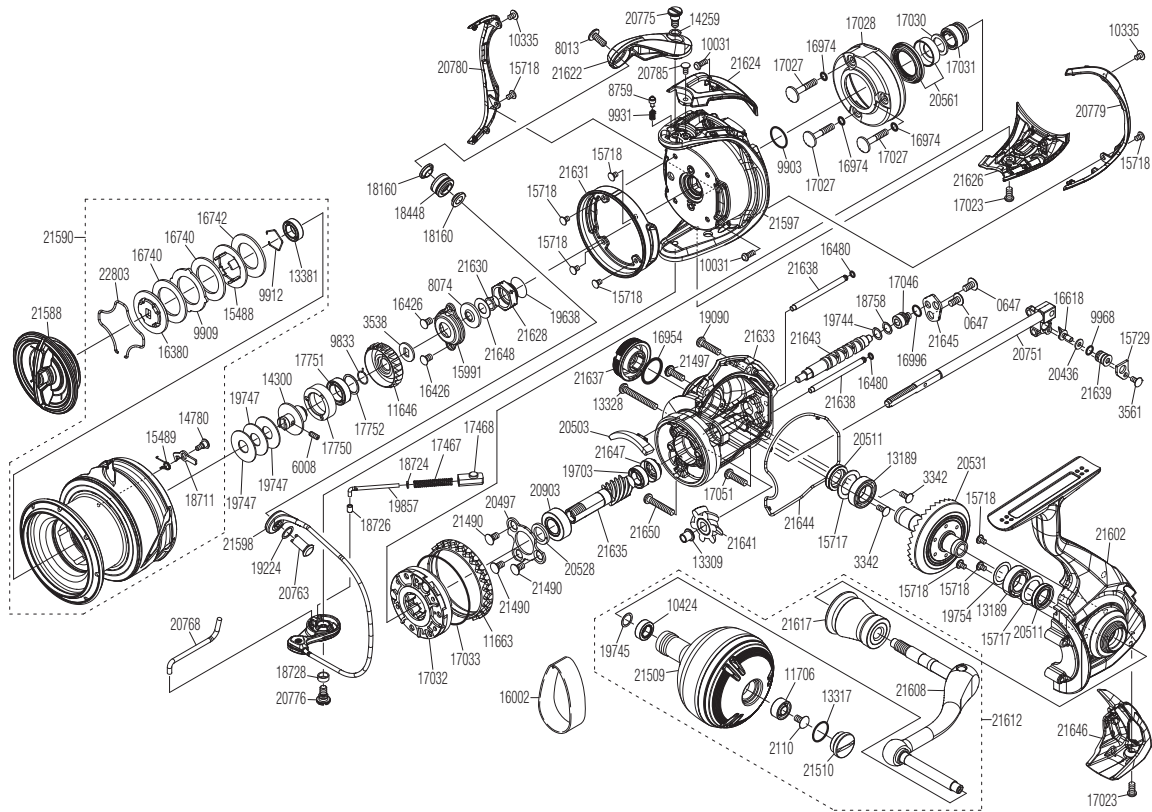


SHIMANO

TWIN POWER SA-RB

TP-SW4000XG



Please note that the number of adjusting washers may not always be the same as shown in the exploded views.
Please note that your actions take full responsibility when you take it apart.

(51SF41H045X)

#	Part No.	Description	#	Part No.	Description	#	Part No.	Description
0647	10QG5	Screw	17032	10QPK	Roller Clutch Assembly	21602	10R7K	Side Cover Assembly
2110	103E9	Screw	17033	108WZ	Clutch Cover Water Proof	21608	10R7L	Handle Shank Assembly
3342	103C0	Screw	17046	106M5	Bushing	21612	10ED3	Handle Assembly
3538	103NX	Spool Support	17051	10PSC	Screw	21617	10R7N	Handle Shaft Cover Assembly
3561	10MT4	Screw	17467	10R2P	Bail Spring	21622	10RYW	Bail Arm
6008	10PN2	Set Screw	17468	10R2E	Bail Spring Guide B	21624	10T0X	Bail Spring Cover
8013	10K40	Screw	17750	10TQH	Bearing Housing	21626	10EDB	Bail Hold Support Guard
8074	107F2	Bearing Water Proof	17751	10EX8	Ball Bearing	21628	10290	Rotor Nut
8759	106UX	Click Pin	17752	10GHN	Washer	21630	10ED7	Spacer
9833	107V2	Ratchet Spring	18160	1020L	Bearing Housing	21631	10EDA	Rotor Brim
9903	108WA	O Ring	18448	101BJ	Line Roller Set	21633	10288	Body
9909	10BCP	Eared Washer	18711	10TJX	Drag Click	21635	10EDE	Pinion Gear
9912	10GEW	Bearing Retainer	18724	101D9	Spring Guide A Support Collar	21637	101MC	Handle Screw Cap
9931	10CGZ	Click Spring	18726	10DKC	Spring Guide A Support Collar B	21638	10ECZ	Oscillating Guide
9968	108W9	O Ring	18728	101D0	Collar	21639	10R8T	Collar
10031	103NC	Screw	18758	10TK0	Washer	21641	10ECX	Idle Gear
10335	10MPD	Screw	19090	100YN	Screw	21643	10T0S	Worm Shaft
10424	105BN	Ball Bearing	19224	1002S	Washer	21644	10ED1	Body Seal
11646	107PS	Drag Click Ratchet	19638	1015S	O Ring	21645	101MM	Worm Shaft Retainer
11663	104FW	Friction Ring	19703	104JQ	Ball Bearing	21646	101WD	Rear Protector
11706	10KX1	Ball Bearing	19744	100XZ	Washer	21647	10RYV	Bushing
13189	104PT	Ball Bearing	19745	104FH	Washer	21648	101ML	Washer
13309	106E8	Bushing	19747	101AV	Spool Washer	21650	10T0U	Screw
13317	10LAB	O Ring	19754	10DKJ	Washer	22803	145QR	Retainer
13328	10M6H	Screw	19857	10SAN	Bail Spring Guide A			
13381	104JT	Ball Bearing	20436	100CW	Washer			
14259	10G6C	Washer	20497	101NN	Bearing Retainer			
14300	10LTS	Bearing Bushing	20503	101NL	Bail Trip Strike			
14790	10A6F	Screw	20511	101NM	Bearing Water Proof			
15488	10BBQ	Key Washer A	20528	1028S	Washer			
15489	10BQE	Drag Click Spring	20531	101NH	Drive Gear Assembly			
15717	10BGE	Washer	20561	10RR7	Roller Clutch Waterproof Assembly			
15718	1055G	Screw	20751	100NS	Main Shaft Assembly			
15729	10HAF	Oscillating Pawl Cover	20763	10RKV	Line Roller Support			
15991	1076P	Retainer	20768	10E2E	Bail Trip Lever			
16380	100BV	Key Washer B	20775	10RMA	Screw			
16426	103LB	Screw	20776	10RGB	Screw			
16480	10JAB	O Ring	20779	10RF0	Rotor Guard A			
16618	106VM	Oscillating Pawl	20780	10EA5	Rotor Guard B			
16740	10345	Drag Washer A	20785	1055D	Screw			
16742	10C1A	Drag Washer B	20903	101WE	Ball Bearing			
16954	10909	O Ring	21490	10MLD	Screw			
16974	10LAD	O Ring	21497	10172	Screw			
16996	10TNF	O Ring	21509	10TET	Handle Knob Assembly			
17023	10PS0	Screw	21510	10B2C	Handle Knob Seal			
17027	103LY	Screw	21588	10EDH	Drag Knob Assembly			
17028	10MHC	Clutch Water Proof Cover	21590	10ED9	Spool Assembly			
17030	10J2G	Washer	21597	10R6U	Rotor Assembly			
17031	10667	Roller Clutch Inner	21598	10R7J	Bail Assembly	16002	109UU	Belt (SS) (accessory)