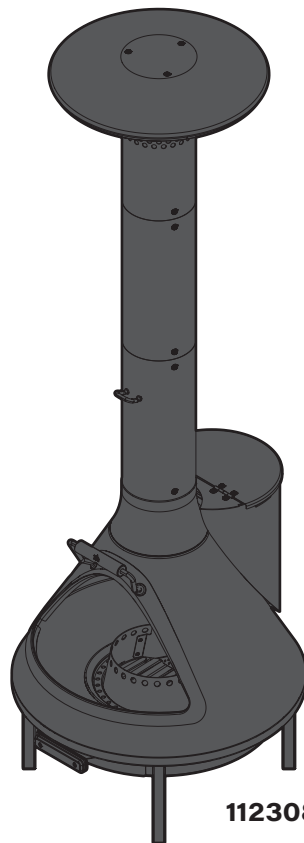




CHIMINEA USER GUIDE



1123082

 **WARNING**

INSTALLER: Leave this manual with the appliance.
CONSUMER: Retain this manual for future reference.

TABLE OF CONTENTS

Warnings	3
Pre-Assembly	5
Assembly Instructions	7
Pellet Hopper Removal	12
Light your Chiminea without the Hopper	13
Light your Chiminea with the Hopper	14
Extinguishing	15
Care & Maintenance	16
Limited Warranty	17
Frequently Asked Questions	18

 **WARNING**

DO NOT use this TIKI® Brand Chiminea until you have read the operating instructions and safety warnings. Failure to do so can cause death, serious injury or property damage.

 **WARNING**


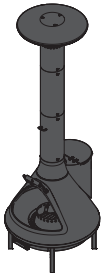
This product and combustion products emitted when this product is burning can expose you to chemicals including carbon monoxide which is known to the State of California to cause birth defects or other reproductive harm, and lead which is known to the State of California to cause Cancer and birth defects or other reproductive harm. For more information go to www.P65warnings.ca.gov.

WARNINGS

CAUTION

Keep clothing, hair and face away from flame when lighting.

- FOR OUTDOOR USE ONLY. Toxic carbon monoxide fumes can accumulate and cause asphyxiation.



WARNING: Hot Surface Hazard

DO NOT touch when in use. The Chiminea will be extremely hot when burning. Never attempt to touch, move, or clean your Chiminea while in use and wait until it has completely cooled down.

- DO NOT operate, light, or use the Chiminea any closer than within 15 ft. of walls, structures or buildings, or other combustible materials such as dry grass/bushes, awnings, etc.
- DO NOT use under a patio roof, low hanging branches, trellises, or overhangs of any kind including covered porches.
- DO NOT use the Chiminea in any explosive environment such as areas where flammable or combustible gases may be present.
- DO NOT use the Chiminea with fuel sources other than the TIKI® Brand Wood Pack, natural cut firewood, charcoal, or bulk wood pellets.
- DO NOT use an electric style grill starter. Use only matches or lighters which will provide a flame and then can be extinguished and moved away from the flame once the fire is ignited.
- DO NOT use gasoline, kerosene, diesel fuel, lighter fluid, alcohol, or any other flammable liquid to light or relight the Chiminea.
- DO NOT store or use gasoline or any other flammable vapors, liquids, or materials in the vicinity of the Chiminea.
- DO NOT store or use LP cylinders within 30 ft. of the Chiminea while it is in operation.
- DO NOT use the Chiminea on or near automobiles, trucks, vans, recreational vehicles, or boats.
- DO NOT place on any combustible surface such as wood, dry grass, leaves, mulch, etc.
- Chiminea should be used on a hard, level surface
- Only operate under the supervision of an adult.
- DO NOT breathe smoke from the fire and avoid getting smoke in your eyes.
- DO NOT use the Chiminea while under the influence of drugs or alcohol.
- DO NOT leave the Chiminea unattended, do not leave children or pets unattended near Chiminea, and/or DO NOT leave a lit or hot Chiminea unattended. DO NOT use the Chiminea in windy conditions.
- When using the Chiminea, exercise the same precautions you would with any open fire.
- Never leave the Chiminea unattended until the flames go out.
- DO NOT use water to extinguish the fire under normal circumstances as this could cause damage to the Chiminea. Only extinguish with water during emergencies.

- DO NOT cover the Chiminea with the cloth cover until it has completely cooled down approximately 12 hours.
- Always use the Chiminea in accordance with all applicable local, state, and national codes. Contact your local fire department for details.
- DO NOT alter or modify the Chiminea in any manner.
- The Chiminea should be inspected and cleaned after every use.
- When lifting and moving the Chiminea always wear protective clothes/gloves to prevent injury.

IMPORTANT: Natural cut firewood contains sap, water, and air pockets as well as irregularities with the potential to eject sparks. We recommend placing the included screen over the front opening of the Chiminea to prevent sparks from escaping. Always follow local laws and ordinances when burning.

PRE-ASSEMBLY

Remove all parts from the packaging, including the smaller components that are stored within the cone/main body (A) and the ash pan (O).

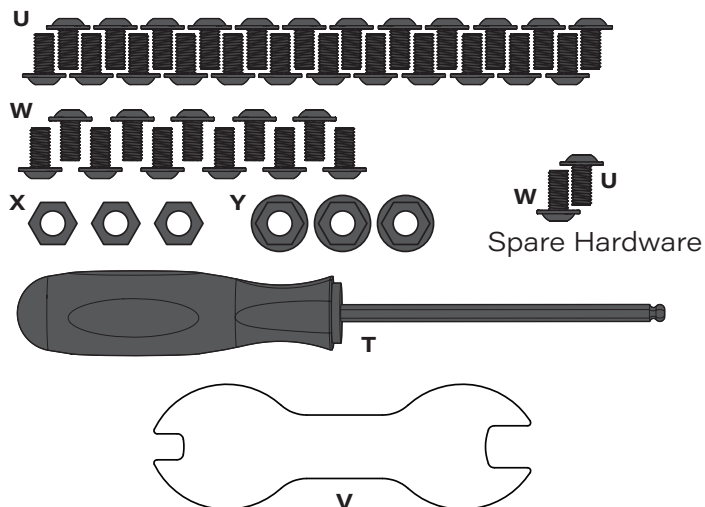
Compare all parts with the Package Contents and Hardware Included lists. If any part appears missing or damaged, DO NOT assemble or use this product.

For assistance, contact Customer Service at 1-888-473-1088. Please have your owner's manual and model number available for reference.

Note: Items not shown to actual scale or size.

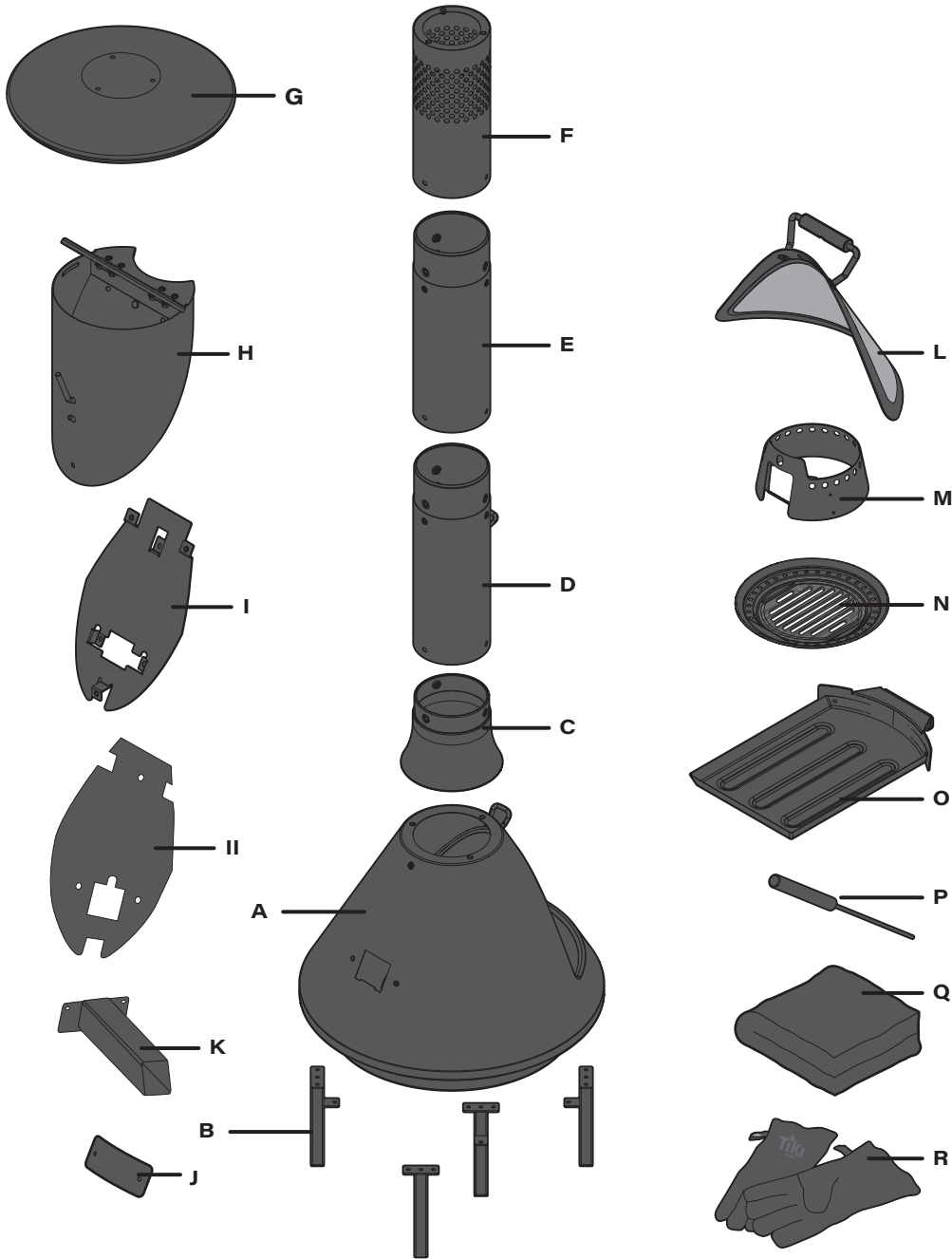
⚠ WARNING: CHOKING HAZARD

Small parts. Not for children under 3 years.



Part	Description	Quantity
A	Cone/Main Body	1
B	Legs	4
C	Trumpet	1
D	Bottom Chimney	1
E	Middle Chimney	1
F	Upper Chimney	1
G	Deflector	1
H	Hopper	1
I	Heat Cover	1
II	Heat Shield	2
J	Cover Plate	1
K	Chute	1
L	Screen	1
M	Pellet Insert	1
N	Grate	1
O	Ash Pan	1
P	Poker	1
Q	Weather Cover	1
R	Gloves	1
S	Hardware Blister Pack	1
T	Hex Screwdriver	1
U	M6 Hex Screw	24
V	Open End Wrench	1
W	M6 Hex Chimney Screw	11
X	Nuts	3
Y	Flange Nuts	3

Note: Not shown to actual scale or size.



ASSEMBLY INSTRUCTIONS

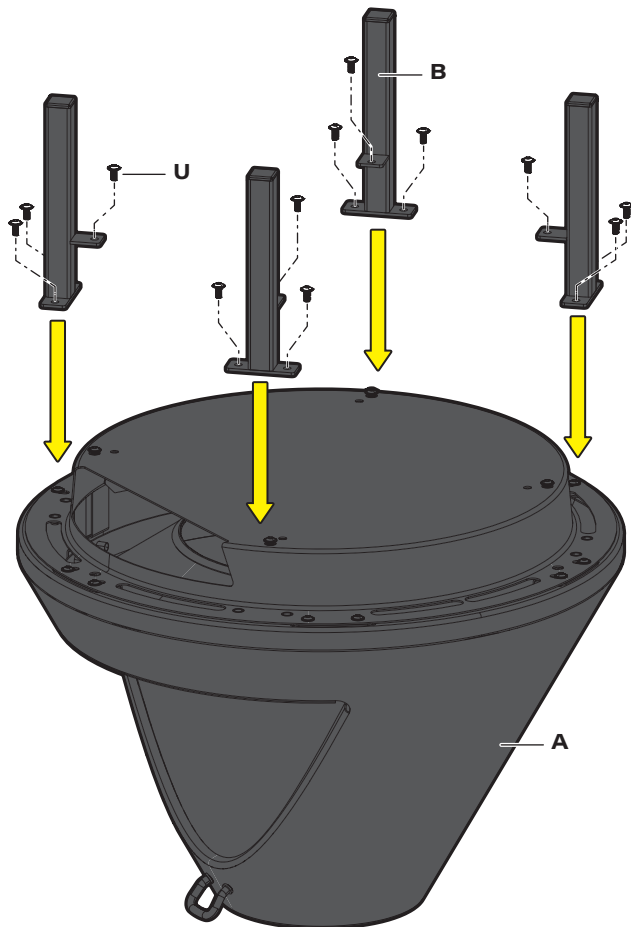
CAUTION

Some parts may contain sharp edges. Wear protective gloves when assembling, moving, or handling the product.

Note: DO NOT overtighten screws.

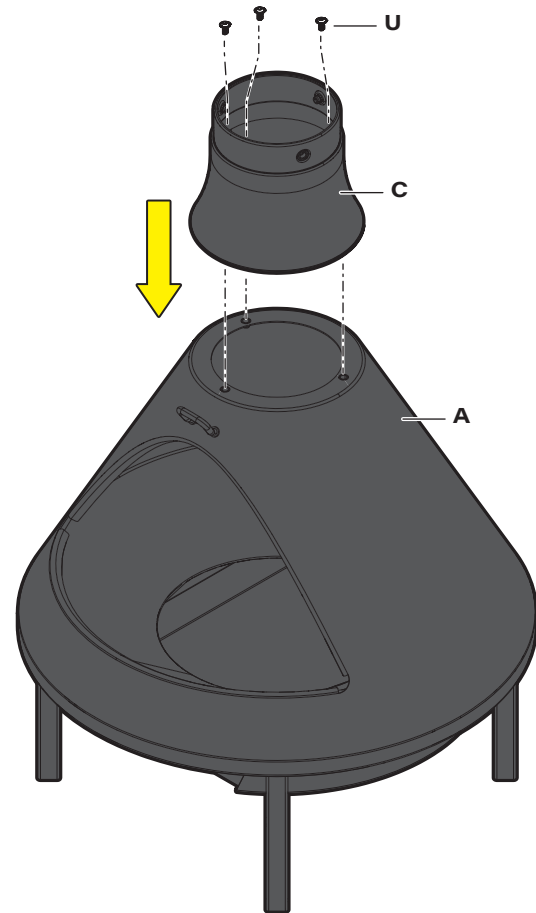
STEP 1

Flip the cone (A) upside down on a flat surface. Assemble the legs (B) to bottom of cone (A). Secure each leg with 3 screws (U).



STEP 2

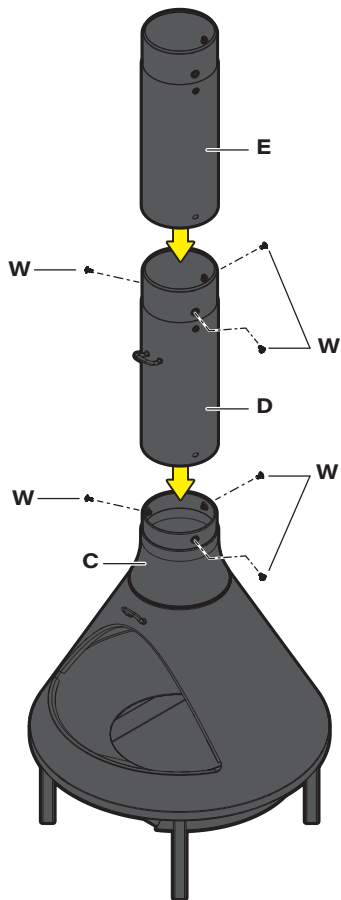
Set the cone (A) with assembled feet right side up. Place the trumpet (C) on top of the cone and align the 3 holes. Secure with 3 screws (U).



STEP 3

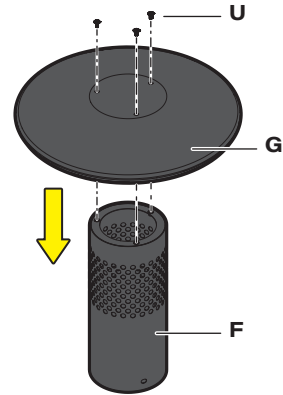
Assemble the lower (D) and middle (E) chimney sections. Secure each section with 3 screws (W). Do not over tighten.

Note: The hardware and holes are spaced so that chimney sections are only able to assemble in the correct direction. There should be a centered column of hardware on the back, left, and right sides of the unit.



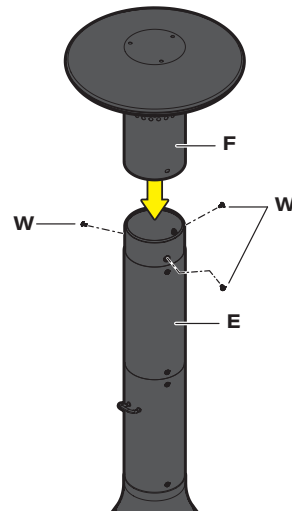
STEP 4

Place the deflector (G) on the top chimney section (F). Align the holes and secure with 3 screws (U).



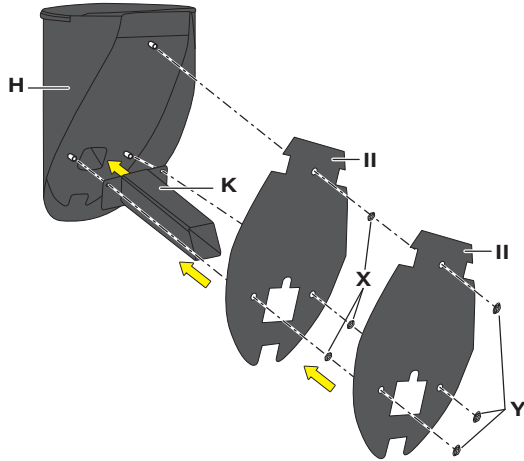
STEP 5

Place the top chimney section (F) on the middle chimney section (E). Align the holes and secure with 3 screws (W).



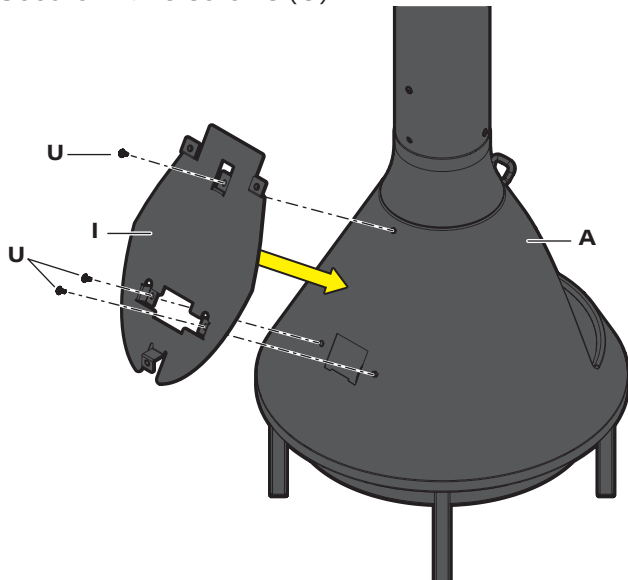
STEP 6

Place chute (K) on the bottom two posts of the hopper (H). Next, place the first heat shield (II) on the hopper and fasten 3 nuts (X) to the three posts. Place the second heat shield (II) on the hopper and attach 3 flange nuts (Y) on each post of the hopper.



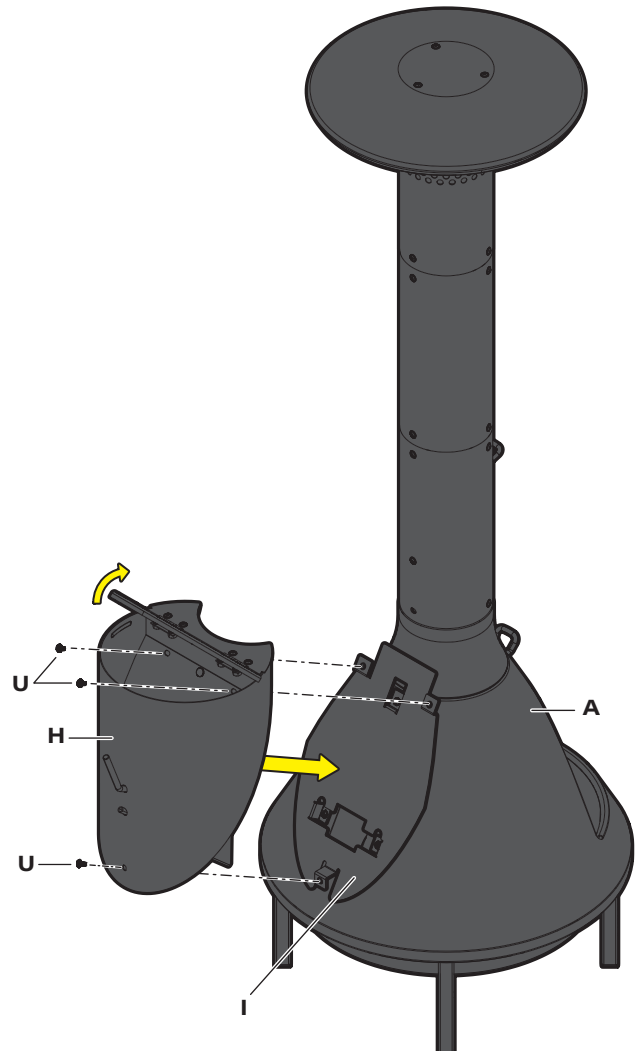
STEP 7

Align the heat cover (I) opening and 3 holes with the opening and holes on back of cone (A). Secure with 3 screws (U).



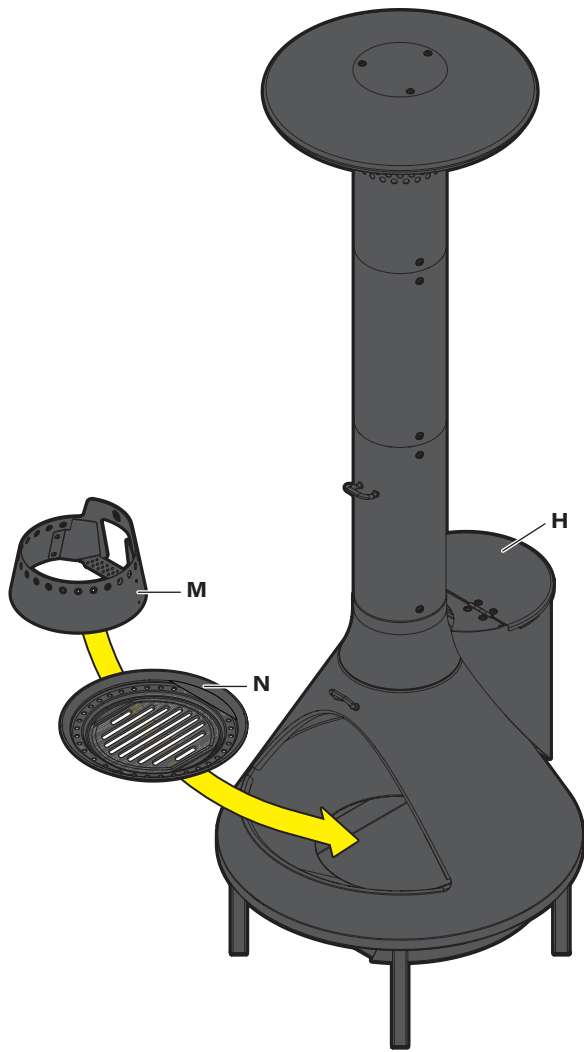
STEP 8

Install the hopper (H) by sliding the chute through the holes in the heat cover (I) and the cone (A). Open the hopper lid and secure the 2 screws (U) through the top 2 holes on the hopper back wall. Secure the third screw (U) on the bottom, outer wall of the hopper.



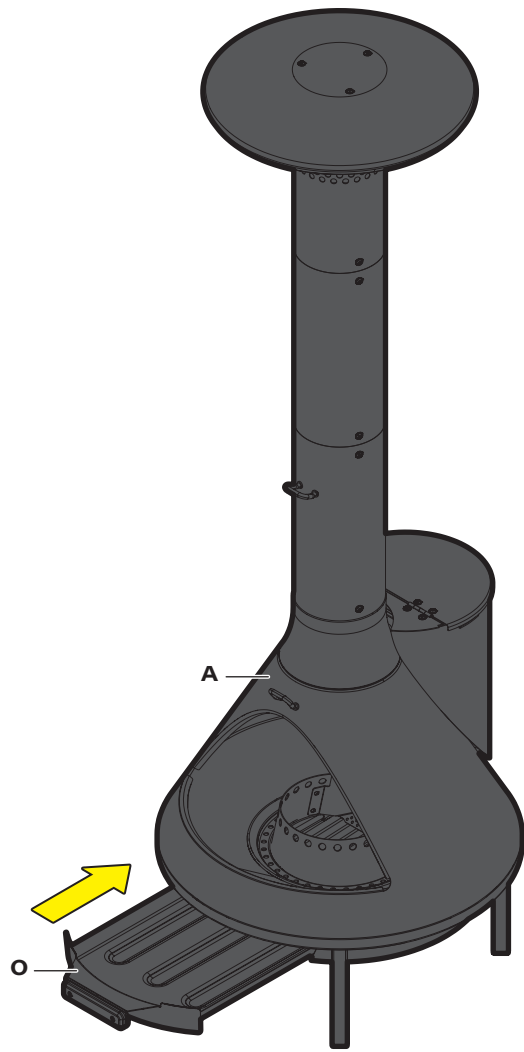
STEP 9

Place the grate (N) inside the center of the cone (A). The grate should sit flush if properly aligned. Place the pellet insert (M) on top of the grate (N), and align the hopper chute (K) through the opening of the pellet insert.



STEP 10

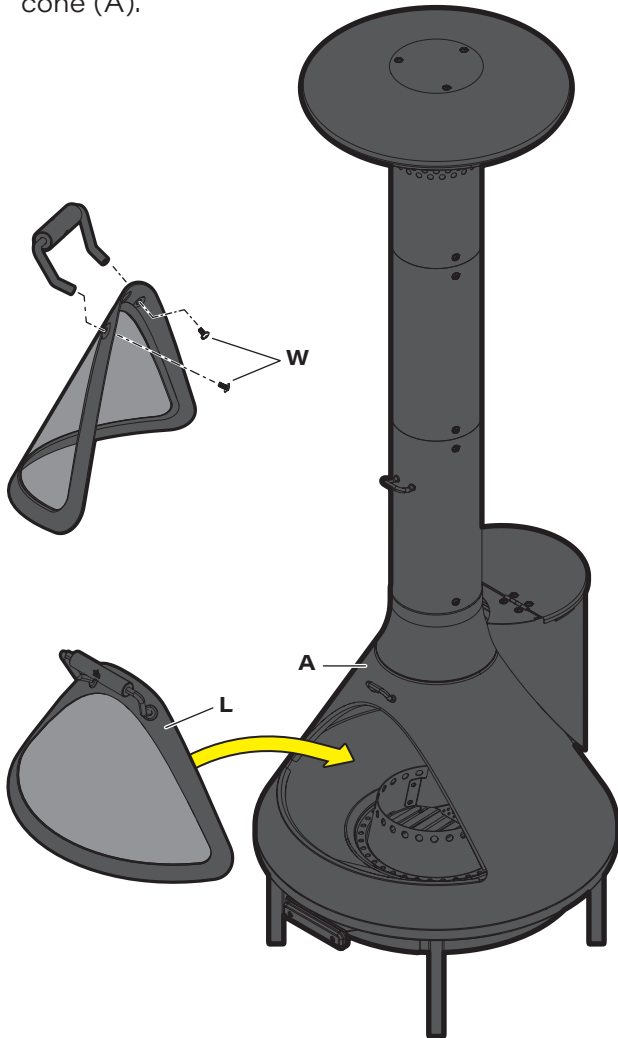
Install the ash pan (O) within the cone/main body (A).



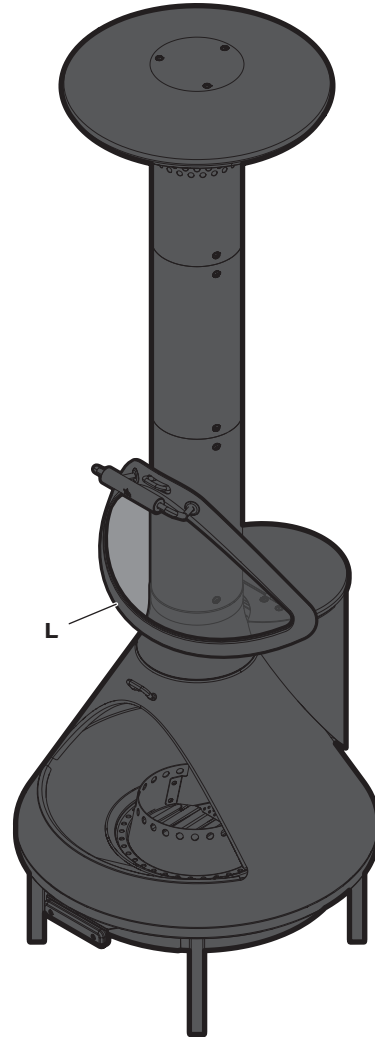
STEP 11

Use 2 screws (W) to attach screen handle to screen.

Place the screen (K) on lower hook of the cone (A).

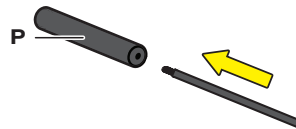


Note: The screen (L) should be hung on the hook of the lower chimney (D) when adding wood or performing cleaning and maintenance

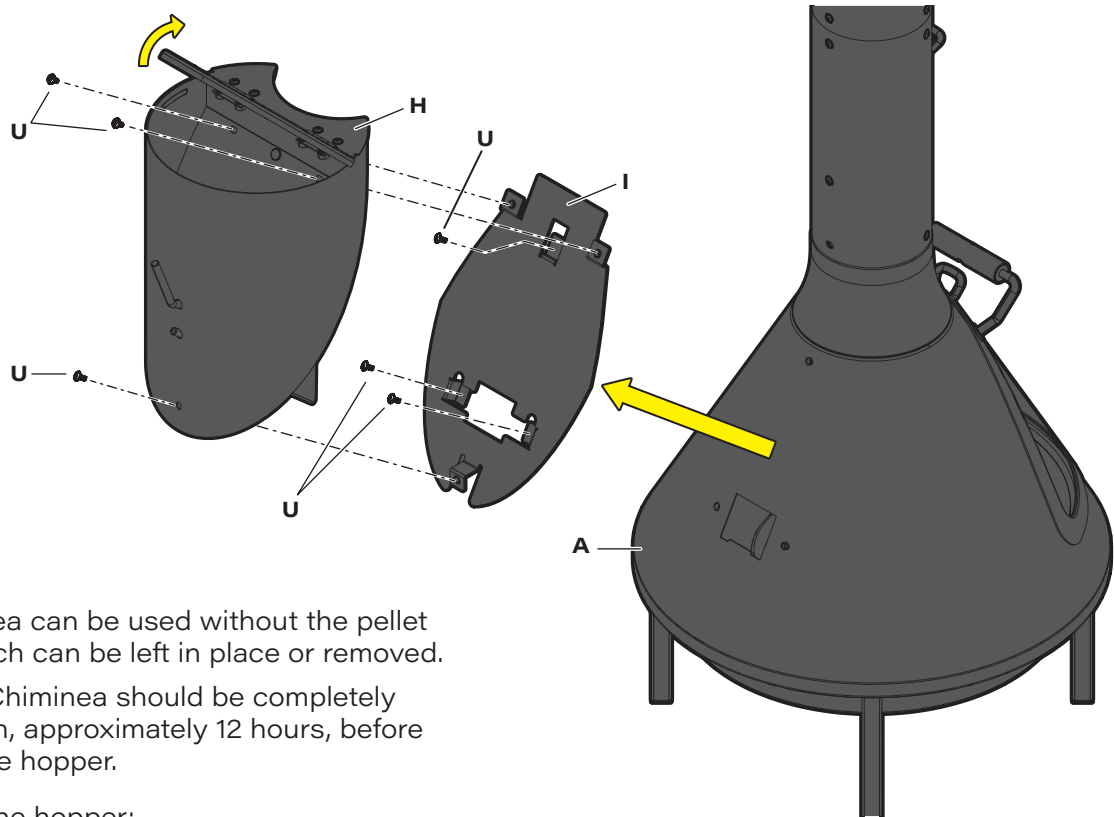


STEP 12

Assemble poker by inserting threaded piece of poker into stainless steel handle and twist until tight.



PELLET HOPPER REMOVAL

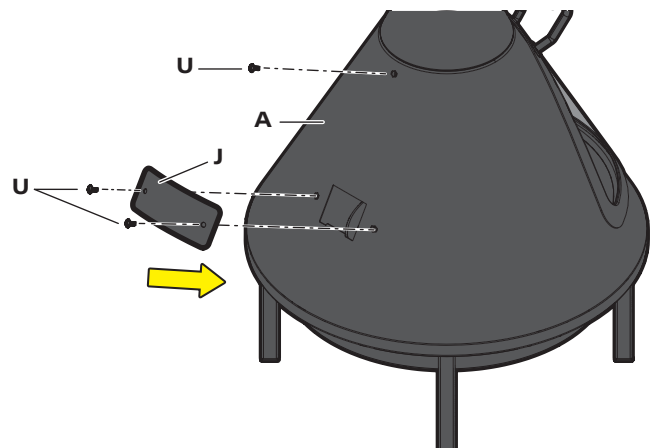


The Chiminea can be used without the pellet hopper, which can be left in place or removed.

Note: The Chiminea should be completely cooled down, approximately 12 hours, before removing the hopper.

To remove the hopper:

1. Remove the 3 screws (U) that attach the hopper (H) to the heat cover (I). Pull the hopper (H) off the heat cover (I) and the cone/main body (A).
2. Remove the 3 screws (U) that attach the heat cover (I) to the cone/main body (A). Remove the heat cover.
3. Place the cover plate (J) over the hole in the cone/main body (A). Secure the cover plate with 2 screws (U). Install 1 screw (U) in the top screw hole.



LIGHT YOUR CHIMINEA WITHOUT THE HOPPER

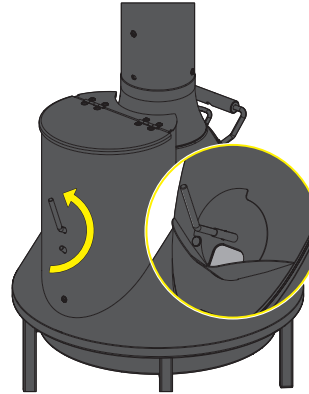
If the hopper is left in place, ensure that the chute door is closed prior to and throughout use. The pellet insert should also be removed.

1. Remove the screen and place on the chimney hook.
2. Remove pellet insert from cone and set aside when using firewood or TIKI® Brand Woodpack. Woodpacks burn at higher temperatures. Never open Woodpack bag to use pellets in hopper.
3. If using a TIKI® Brand Wood Pack (sold separately at TIKIBrand.com), place the wood pack above the grate in the center of the cone. Light all 4 corners of the pack.
4. If using natural cut firewood:
 - Stack kindling, newspaper, a commercially-available solid fire starter, or TIKI® Brand Fire Starter (sold separately) on the grate in the center of the cone.
 - Build the firewood around the fire starter (3 pieces recommended).
 - Ignite the fuel with a lighter.
5. Replace the screen.
6. If fire needs tending or additional fuel, use the gloves, included poker, or a TIKI® Brand Fire Pit Poker (sold separately) to move the screen to the chimney hook.

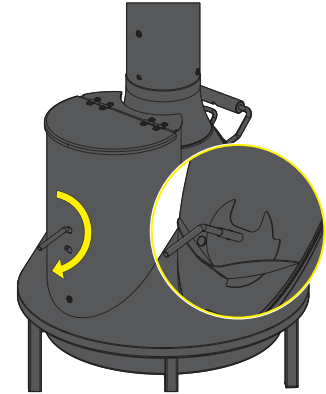
IMPORTANT: Use gloves whenever fire is present in unit. Screen should be in place over opening whenever natural cut wood is used.

Note: For greater heat output, use natural cut firewood.

Chute door in the open position



Chute door in the closed position



OR



VS



Note: Not shown to actual scale or size (sold separately).

LIGHT YOUR CHIMINEA WITH THE HOPPER

CAUTION

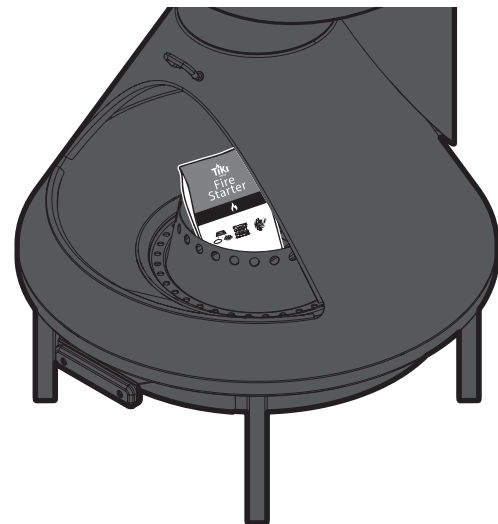
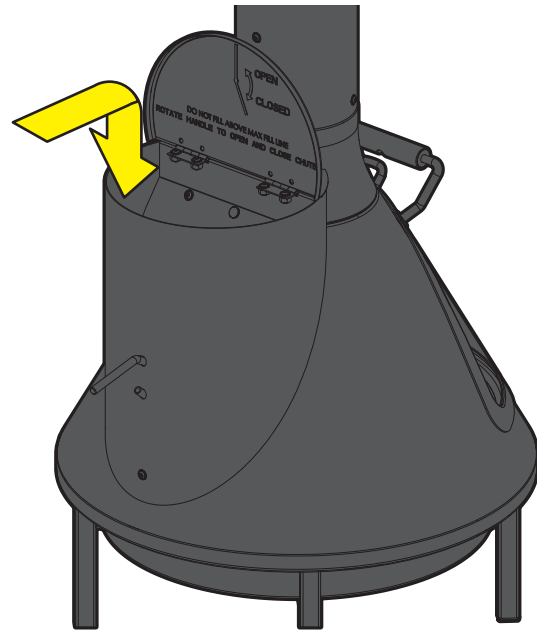
Keep clothing, hair, and face away from the flame when lighting the Chiminea.

1. Place the chute door in the closed position then, open the hopper lid.

Note: The chute door should be closed prior to opening the hopper lid. The chute door should ALWAYS be closed if the lid is open.

2. Use bulk pellets to fill the hopper up to the indicated fill line.
3. Remove the screen and place on the chimney hook.
4. Open the chute door and allow the pellets to fill the space in the pellet insert.
5. Place kindling, newspaper, a commercially-available solid fire starter, or TIKI® Brand Fire Starter (sold separately) in the middle of the pellet bed.
 - TIKI® Brand Fire Starter pack can be folded to fit within engine insert.
 - Gel fuel starter can also be used and poured over pellets.
 - Liquid fire starter SHOULD NOT be used with Chiminea.
6. Use a long-stemmed match or lighter to ignite the starter. Replace the screen.

Full flame should be reached within 5-10 minutes depending on the starter used.



7. If any smoke is seen around the hopper:
 - Insert the included poker through the opening in the back of the hopper to loosen the pellets in the chute. This will resolve most jams.
 - If the smokiness continues, remove the screen and stir the pellets in the engine insert.
 - If smokiness continues, close the chute door, open the hopper lid, and clear any jams in the hopper using the included poker. Close the hopper lid before opening the chute door.
8. If smokiness is seen towards the end of the burn and you would like to continue use:
 - Place the chute door in the closed position, then open the hopper lid.
 - Refill the hopper with pellets.
 - Close the hopper lid and open the chute door.
9. To end the burn without using full hopper, close the chute door. The flame will die out after approximately 15 minutes.
10. Towards the end of the burn, as the hopper is emptied, the chute door should be placed in the CLOSED position.

EXTINGUISHING

The safest and preferred method for extinguishing a fire is to wait it out and allow the fire to burn out naturally. This method takes the longest but results in the least amount of smoke, less mess, and the best experience. To ensure the fire goes out completely, NEVER leave the Chiminea unattended.

Only in the case of an emergency should you use a garden hose and water:

Note: If no garden hose is available, you can pour water over the Chiminea. Use caution as this generates a significant amount of steam and smoke. You can also use sand or a dry chemical extinguisher that is specified for wood fire applications.

- Stand back at least 5 ft. while spraying to avoid the hot steam and debris.
- Spray the coals and inside the Chiminea continuously for 5 minutes or until there is no visible flames and the steam has dissipated.
- Using your fire poker (sold separately), stir the remaining contents to ensure no hot coals or flames remain. Spray for an additional 5 minutes if flames persist.

CARE & MAINTENANCE

CAUTION

Allow the Chiminea to cool for at least 12 hours before performing any cleaning or maintenance. Some parts may contain sharp edges. Wear protective gloves when moving or handling product

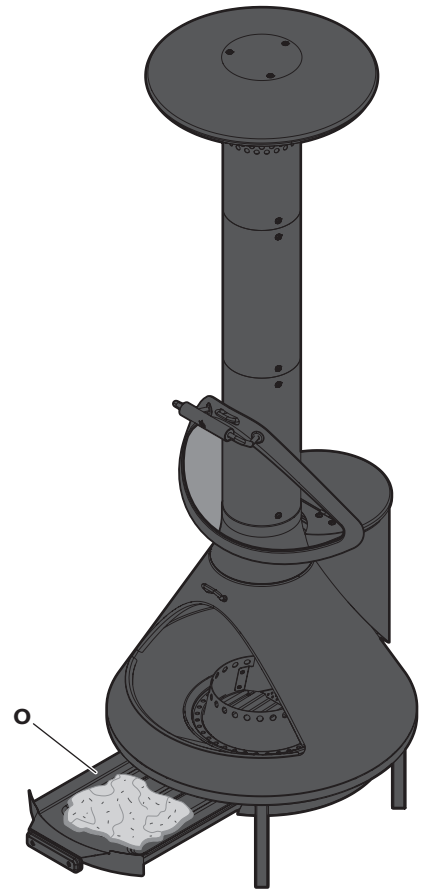
With proper care, you can improve the efficiency and performance of your Chiminea and prolong its life. Here is how you should care for your Chiminea:

- Carefully remove the engine insert and the grate and brush left-over ash through the opening and into the ash pan.
- **Cover during periods of inactivity.** Cover the Chiminea after the Chiminea has completely cooled.
- **Use 2 people to move the Chiminea.** The Chiminea is over 70 lbs. when empty and is dangerous to move with 1 person. The Chiminea should be lifted from the bottom.
- **Clean out ash regularly after Chiminea has cooled completely.** Cleaning regularly will help maintain airflow, reduce smoke, and improve pellet flow. Carefully brush the left-over ash through the funnel opening and into the ash pan. Remove the ash pan (O) and dispose of the ash and debris properly. Wood ash mixed with water creates a basic (alkaline) solution which can affect finishes and stainless steel. You should always use metal containers for ash disposal.

Never leave the ash container on a combustible surface.

DO NOT use or dispose of ash in a garden or landscape application unless you review local laws and ordinances.

- **Clean the Chiminea with dish soap or baking soda.** Removable parts such as the grate, screen, and engine insert can be removed for cleaning. Regular cleaning of these parts will help with performance. DO NOT use oven cleaner or abrasive cleaners as they will damage the finish. Thoroughly dry the Chiminea and all parts with a soft cloth to prevent rust from forming.



LIMITED WARRANTY

Visit tikibrand.com/customer-service/our-guarantee or contact us at 1-888-473-1088 for more information.

For information on patents, go to tikibrand.com/patents.

KEEP THE FIRE GOING

FOR MORE WOOD PACKS AND OTHER PRODUCTS TO
HELP YOU ENJOY YOUR FIRE, VISIT TIKIBRAND.COM



FREQUENTLY ASKED QUESTIONS

What is the pellet insert for?

The pellet insert is designed to control the size of the pellet bed and create the optimal burn conditions for bulk pellets. Removal of the pellet insert is recommended when using fuel other than bulk pellets. Leaving the pellet insert in place during these burns removes space for the fuel and hinders some tending.

Can I use firewood in the Chiminea?

Yes, using firewood will produce more heat than bulk pellets. Never use "green" wood. For example, freshly cut wood from a live tree (cut less than six months prior to use). The moisture content is too high and will result in smoke and incomplete combustion. At least one portion of every log should be touching the bottom of the flame basin for maximum stability. Approximately 3-4 standard split wood logs should fit. Never add flammable or combustible liquids to the Chiminea after ignition. This could lead to flare ups in the ash pan and flame basin.

What are the Wood Packs made of?

The patent pending TIKI® Brand Wood Pack is made from wood pellets mixed with a starter fluid and sealed in the easy to light bag. The pellets are made from sawdust that is sourced as a by-product from a number of manufacturing processes (lumber, window frames, hardwood flooring, etc.). The result is an energy dense and sustainable way to light your fire.

Do I need a fire starter or newspaper to start the Wood Pack?

No, simply light the bag in each corner to start the fire.

When should I add another Wood Pack or firewood?

When the flames are fully visible through the front opening of the Chiminea and are no longer traveling up into the chimney, another wood pack or additional firewood can be added to continue burning with a brilliant flame.

When should I add more pellets?

After an hour of use, there may be smokiness coming from the hopper. This indicates that it's time to close the hopper chute, open the lid, and refill the hopper to the fill line to continue use.

Do I have to stir the wood pellets after lit if using a Wood Pack?

TIKI® Brand Wood Packs do not require stirring. The deeper the wood pellet bed remains, the longer your burn time will extend. Pellets can be stirred using the included poker or the TIKI® Brand fire poker (sold separately) to help distribute the pellets within the burn chamber.

How long do I have to wait before putting the cover on?

After the flame is fully extinguished and the Chiminea has completely cooled down (approximately 12 hours). Be sure to clean out all ash, taking appropriate safety measures, to ensure there are no embers left over before putting the cover on.

Where can I put my Chiminea?

The Chiminea should not be used closer than 15 ft. to any walls, structures or buildings, and should not be placed on any combustible surface such as wood, dry grass, leaves, or mulch. Further, the Chiminea should not be used under a patio roof, porch roof, low hanging branches, trellises, or overhangs of any kind. If used on a grassy area, you should have a non-flammable, heat resistant mat placed under the Chiminea.

What are the best practices for storing my Chiminea?

Keep the Chiminea in a covered environment away from moisture. Keep it out of the reach of children and pets.

How often do I need to empty the ash pan?

The pan should be emptied after every use.

How do I clean out the ash from the bottom of the Chiminea?

Remove the grate (and pellet insert if in place) and carefully sweep the ash through the funnel hole. Once all the ash has been swept through the hole, remove the ash pan and dispose of the ash properly.

How do I clean the Chiminea?

If soot or ash has accumulated on the outside of the Chiminea, wipe down with a damp cloth once the Chiminea is completely cool. Rinse with clean water and use dish soap or baking soda. The grate, pellet insert, and screen can be removed for easy cleaning. DO NOT use any abrasive cleaners as they will damage the finish. Once you've removed all residue, dry with a soft cloth to prevent any rust from forming.

How do I clean the Hopper?

The hopper can be left in place or removed for cleaning. Clear all the pellets out of the hopper and wipe the interior with a damp cloth. Rinse with clean water and use dish soap or baking soda. Once you've removed all residue, dry with a soft cloth to prevent any rusting from forming.

Can I leave pellets in the Hopper?

The hopper should be emptied of pellets after each burn. If pellets are left in the hopper, they may retain moisture and expand, causing jams or complicating clean out.

TIKI[®] BRAND

TIKIBRAND.COM

4002599 REV4

©2024 Lamplight Farms Incorporated