



AQUATEC® BATH LIFTS



Yes, you can.®



The *Aquatec* SP family provides **quality and durable bath lifts** that are designed to offer **comfort, safety** and reassurance to those most in need of support as they bathe.

They incorporate increased leg room, **ease of disassembly** and an **ergonomic floating hand control** that contains a **highly efficient and light weight battery**.



Comfortable, safe and highly efficient

The *Aquatec Bath Lifts* have been designed with the user in mind, giving a comfortable and straightforward bathing experience. Key features include:

- **Reclining backrest**
- **Integrated head support**
- **Quick release hand control**
- **Battery with Sony™ technology**
- **Auto unlock for quick removal from bath**
- **Backrest recline up to 40°**
- **3 models available:**
 - R Reclining Back - **1573972**
 - SRB Special Reclining Back - **1573878**
 - XL with a weight capacity of 375 lbs. - **1573862**

The reinforced scissor mechanism on the *Aquatec Bath Lift* combines safe lifting with a compact construction while the minimum seat height of just 2 1/2" allows plenty of room for a deeper and more comfortable bath.

Features and options



Textured seating surface

The *Aquatec Bath Lift* has a textured surface allowing use without covers if desired. The side flaps are hinged flush to the main seating surface and allow comfortable and safe side transfers, without entrapment of skin.



Two-piece design

When pushed forward the *Aquatec Bath Lift* backrest folds down and automatically unlocks. The backrest and base section can then be removed from the bath with ease. The two sections fit neatly into one another to give an extremely compact size for storage.



Easy to clean

The open, clean-cut design of the *Aquatec Bath Lift* combines with its smooth surfaces to offer effortless cleaning.

Accessories for *Aquatec Bath Lifts*



Height adapters

The **Bath Lift** can be adapted to suit a full range of bath heights. The 0.75", 1.5" or 2.25 height adapters can be quickly fitted to the bath lift base.

15170 Height adapter 0.75" (4 pcs.) incl. conversion kit

14694 Height adapter 0.75" (4 pcs) Extension kit without conversion kit



Positioning Strap

Padded, adjustable strap for the chest or waist.

1528702



Transport Bag with Casters

Ideal for easy transport and storage. Complete with roller casters.

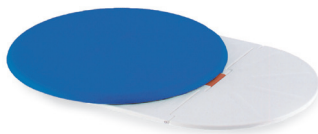
14586AQT



Extra Large Suction Cups

Adapts to any of the Aquatec bath lifts. Increases the stability and allows for secure suction on treaded and uneven surfaces.

16240AQT
(set of 4 per set)



Transfer Board with Rotary Disk

For easy transfers, reduced shearing and effortless turning into desired position. 300 lb. capacity.

4.03.002 - Blue



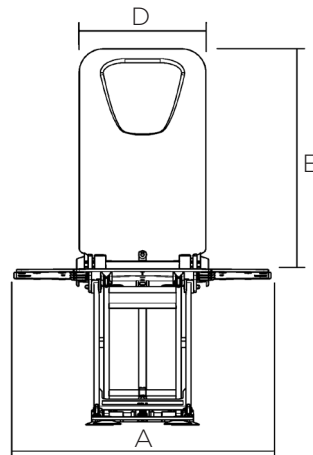
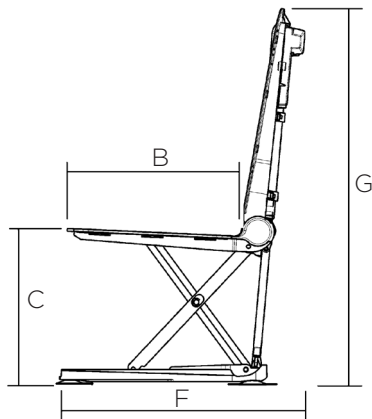
Rotary Disk

14" diameter seat area with soft seating surface. Easy to clean, just wipe off. 300 lb. capacity.

4.02.002 - Blue

Technical data

	<i>Aquatec R</i>	<i>Aquatec XL</i>	<i>Aquatec SRB</i>
Dimensions	1573972	1573862	1573878
Seat width without side flaps	15 in / 375 mm	15 in / 375 mm	15 in / 375 mm
Seat width with side flaps	28 in / 715 mm (A)	28 in / 715 mm (A)	28 in / 715 mm (A)
Seat depth	19 in / 490 mm (B)	19 in / 490 mm (B)	19 in / 490 mm (B)
Seat height max.	16.5 in / 420 mm (C)	16.5 in / 420 mm (C)	16.5 in / 420 mm (C)
Seat height min.	2.5 in / 60 mm	2.5 in / 60 mm	2.5 in / 60 mm
Width of backrest	14 in / 360 mm (D)	14 in / 360 mm (D)	14 in / 360 mm (D)
Height of backrest	26 in / 665 mm (E)	26 in / 665 mm (E)	26 in / 665 mm (E)
Total depth (backrest upright)	25.5 in / 650 mm (F)	25.5 in / 650 mm (F)	25.5 in / 650 mm (F)
Total depth (backrest reclined)	36 in / 920 mm	36 in / 920 mm	36 in / 920 mm
Total height with backrest	42 in / 1075 mm (G)	42 in / 1075 mm (G)	42 in / 1075 mm (G)
Base area	23 in x 11.5 in / 580 x 295 mm	23 in x 11.5 in / 580 x 295 mm	23 in x 11.5 in / 580 x 295 mm
Cover thickness	.12 in / 3 mm	.12 in / 3 mm	.12 in / 3 mm
More info			
Total weight without hand control	24 lbs / 10.8 kg	25.5 lbs / 11.6 kg	25.5 lbs / 11.6 kg
Total weight without battery pack	-	-	-
Weight, seat	14.5 lbs / 6.6 kg	16 lbs / 7.4 kg	14.5 lbs / 6.4 kg
Weight, backrest	9 lbs / 4.2 kg	9 lbs / 4.2 kg	11 lbs / 5 kg
Weight, hand control	14 oz / 0.4 kg	14 oz / 0.4 kg	14 oz / 0.4 kg
Weight, battery pack	-	-	-
Load capacity	300 lbs / 140 kg	375 lbs / 170 kg	300 lbs / 140 kg
Backrest can be reclined by up to	40°	40°	40°
Color	Blue	White	White



Invacare Corporation
www.invacare.com

USA
One Invacare Way
Elyria, Ohio
44035-4190
(800) 333-6900

Canada
570 Matheson Blvd. E.,
Unit 8
Mississauga, Ontario
L4Z 4G4 Canada
(800) 668-5324

©2019
Invacare Corporation.
All rights reserved.
Trademarks are identified
by the symbols ™ and
©. All trademarks are
owned by or licensed
to Invacare Corporation
unless otherwise noted or
its subsidiaries. Aquatec
is owned by Invacare Int'l
GmbH. Specifications are
subject to change without
notification.
Form No. 19-149
190927

INVACARE
Yes, you can.®