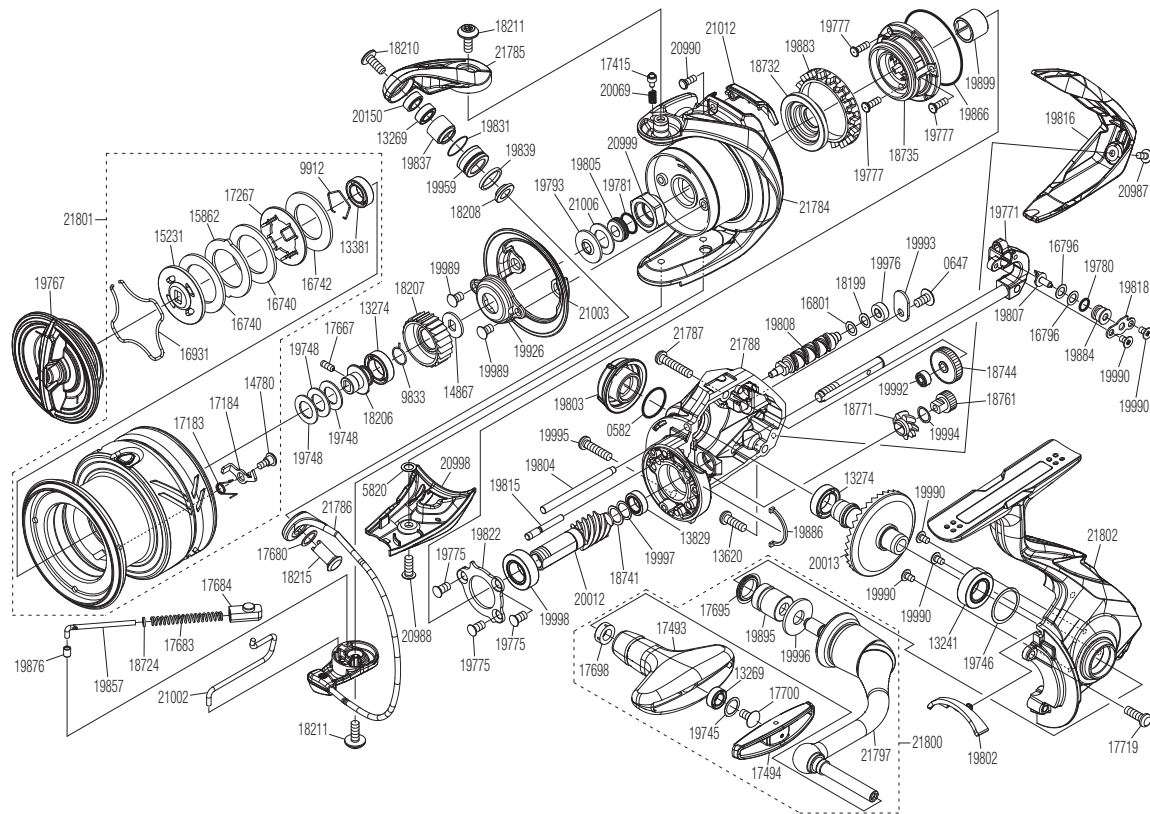


SHIMANO

SUSTAIN

SA-C3000HG



Please note that the number of adjusting washers may not always be the same as shown in the exploded views.

(51SF46E035X)

Please note that your actions take full responsibility when you take it apart.

Part No.	Description	Part No.	Description	Part No.	Description
RD 0582	O Ring	RD18724	Spring Guide A Collar	RD19989	Screw
RD 0647	Screw	RD18732	Rotor Ring	RD19990	Screw
RD 5820	Washer	RD18735	Roller Clutch Assembly	RD19992	Bushing
RD 9833	Ratchet Spring	RD18741	Washer	RD19993	Worm Shaft Retainer
RD 9912	Bearing Retainer	RD18744	Idle Gear	RD19994	Washer
RD13241	Ball Bearing	RD18761	Idle Gear (Small)	RD19995	Screw
RD13269	Ball Bearing	RD18771	Idle Gear (Large)	RD19996	Washer
RD13274	Ball Bearing	RD19745	Washer	RD19997	Washer
RD13381	Ball Bearing	RD19746	Washer	RD19998	Ball Bearing
RD13620	Screw	RD19748	Spool Washer	RD20012	Pinion Gear
RD13829	Ball Bearing	RD19767	Drag Knob Assembly	RD20013	Drive Gear
RD14780	Screw	RD19771	Main Shaft Assembly	RD20069	Click Spring
RD14867	Spool Support A	RD19775	Screw	RD20150	Collar
RD15231	Key Washer B	RD19777	Screw	RD20987	Screw
RD15862	Eared Washer	RD19780	O Ring	RD20988	Screw
RD16740	Drag Washer A	RD19781	O Ring	RD20990	Screw
RD16742	Drag Washer B	RD19793	Bearing Water Proof	RD20998	Bail Hold Support Guard
RD16796	Spacer	RD19802	Bail Trip Strike	RD20999	Rotor Nut
RD16801	Washer	RD19803	Handle Screw Cap	RD21002	Bail Trip Lever
RD16931	Retainer	RD19804	Oscillating Guide A	RD21003	Rotor Brim
RD17183	Drag Click Spring	RD19805	Main Shaft Collar	RD21006	Washer
RD17184	Drag Click	RD19807	Oscillating Pawl	RD21012	Counter Weight Cover
RD17267	Key Washer	RD19808	Worm Shaft	RD21784	Rotor Assembly
RD17415	Click Pin	RD19815	Idle Gear Shaft	RD21785	Bail Arm
RD17493	Handle Knob	RD19816	Rear Protector	RD21786	Bail Assembly
RD17494	Handle Knob Seal	RD19818	Oscillating Pawl Cover	RD21787	Screw
RD17667	Set Screw	RD19822	Bearing Retainer	RD21788	Body
RD17680	Washer	RD19831	O Ring	RD21797	Handle Shank Assembly
RD17683	Bail Spring	RD19837	Bushing	RD21800	Handle Assembly
RD17684	Bail Spring Guide B	RD19839	Spacer	RD21801	Spool Assembly
RD17695	Handle Shaft Seal	RD19857	Bail Spring Guide A	RD21802	Side Cover Assembly
RD17698	Bushing	RD19866	O Ring		
RD17700	Screw	RD19876	Bail Spring Guide A Bushing		
RD17719	Screw	RD19883	Friction Ring		
RD18199	Spacer	RD19884	Oscillating Slider Bushing		
RD18206	Spool Bearing Bushing	RD19886	Flange Water Proof		
RD18207	Drag Click Ratchet	RD19895	Handle Shaft Cover		
RD18208	Bearing Spacer	RD19899	Roller Clutch Inner		
RD18210	Screw	RD19926	Nut Lock Plate		
RD18211	Screw	RD19959	Line Roller		
RD18215	Line Roller Support	RD19976	Bushing	RD18054	Anti Line Slip Sticker