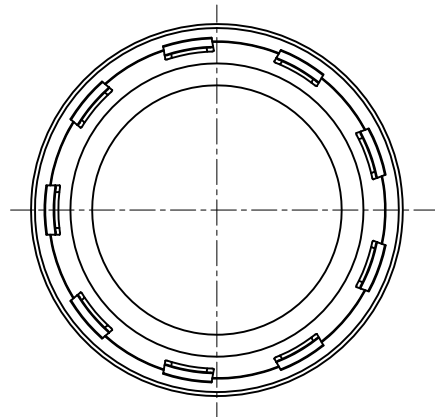
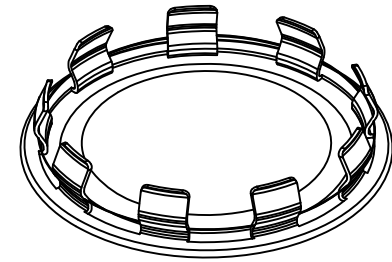
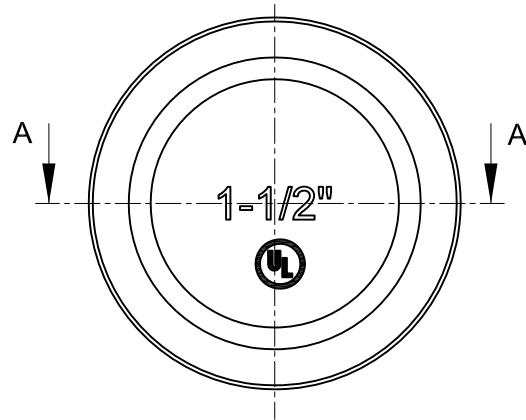
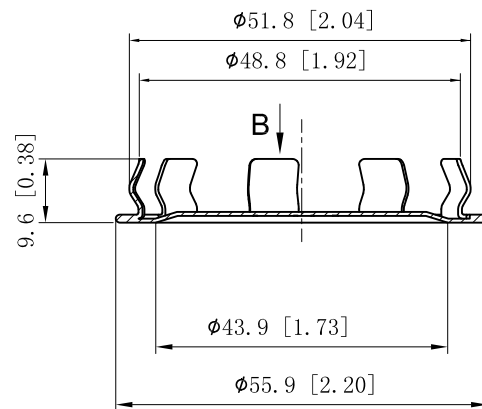


SIDES	BOTTOM
Material:Steel-0.023"-Galvanized Steel	



VIEW B



VIEW A-A

This data sheet is for reference only .GARVIN INDUSTRIES reserves the right to make changes to the design without prior notice.

DESCRIPTION
TRADE REFERENCE TERMS

STANDARD PACKING
25/250 PCS

GARVIN INDUSTRIES		
"SNAP-IN" KNOCKOUT SEALS		
TITLE		
SIZE	DWG NO.	REV
A4	SNAP150	A
DATA SHEET		
www.garvinindustries.com		