

90° TILTING EXTENSION PROJECTOR CEILING MOUNT

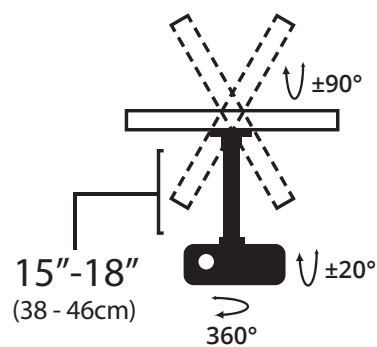
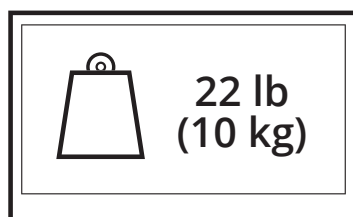


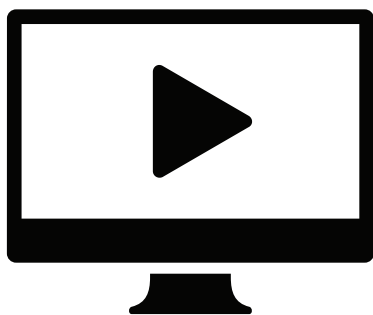
Table of Contents

Table of Contents / Introduction	2	Setup - Steps 4 to 6	6
Supplied Parts & Hardware	3	Setup - Step 7	7
Setup - Step 1	4	Warranty	8
Setup - Steps 2 to 3	5		

Introduction


Thank you for choosing a Kanto universal tilting extension projector ceiling mount. The P301 is designed to mount TV projectors weighing up to 22 lbs (10 kg). This mount kit allows for installations 15" to 18" (37 to 45cm) from the ceiling, and can tilt $\pm 90^\circ$ to allow mounting to sloped ceilings and on the side of beams. The P301 provides a 360° swivel and $\pm 20^\circ$ tilt to level your projector.


Read these instructions fully before installation of this mount. If you do not understand these directions, or have any doubts about the safety of the installation, please consult a qualified installation contractor to install this mount. Make sure there are no defective or missing parts. Do not use defective parts. If you are uncertain whether the part is defective contact Kanto directly at 1-888-848-2643 or support@kantoliving.com. Kanto can not be liable for property damage or injury caused by incorrect mounting, incorrect assembly, lifting or incorrect use of this product.



See installation video online at:
www.kantoliving.com

 Visit our website at www.kantoliving.com for the most recent version of this manual

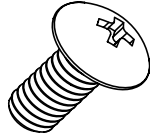
 **CAUTION**
The maximum loading weight is 22 lbs (10 kg). This projector mount is intended for use up to the maximum weight restrictions indicated. Use with products heavier than the maximum weights indicated may result in instability causing possible injury.

 **CAUTION**
The ceiling you plan to affix the Kanto mount to must be able to support more than 4 times the weight of the projector and the ceiling mount combined. Do not use this product for any purpose other than to mount a projector as outlined in this manual. Improper installation may cause damage to your projector or serious injury. This product should not be mounted to drop ceilings, cinder block or old concrete ceilings. Consult a qualified installation contractor if you are unsure about the type of ceiling you may have.

Supplied Parts and Hardware

Screws:

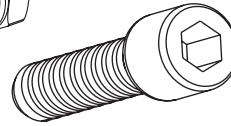
- A: M2.5 x 15mm (with washers)
- B: M3 x 20mm (with washers)
- C: M4 x 15mm
- D: M4 x 20mm
- E: M4 x 25mm
- F: M5 x 15mm
- G: M5 x 20mm
- H: M5 x 25mm
- I: M6 x 15mm
- J: M6 x 20mm
- K: M6 x 25mm



x4
each



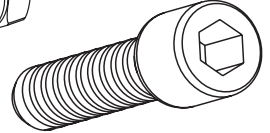
x3



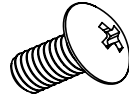
M: M8 x 55mm
Screw (with nut)



x3



N: M8 x 60mm
Screw (with nut)



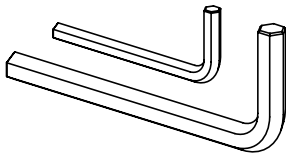
x2

O: Safety screw
M5 x 10mm



x2

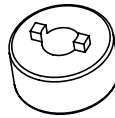
P: Tightening screw
M5 x 5mm



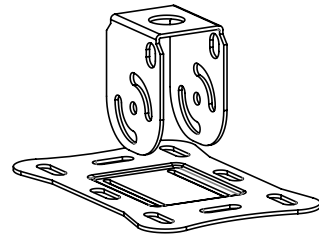
L: Allen Keys

Spacers:

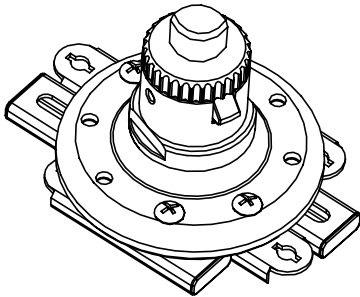
- Q: 1mm thick
- R: 2mm thick
- S: 4mm thick
- T: Base



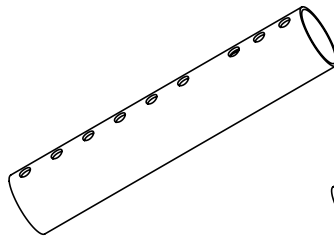
x4
each



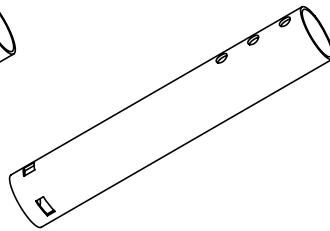
U: Ceiling Plate
Assembly



V: Projector Adapter



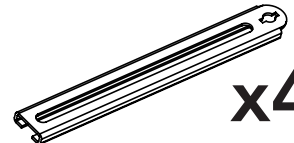
W: Outer Extension
Tube



X: Inner Extension
Tube

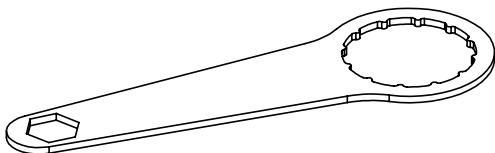


x2



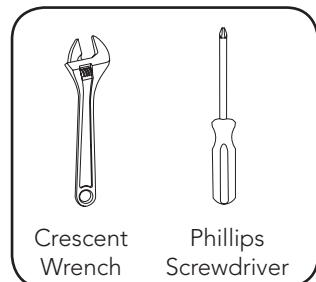
x4

Y: Extension Brackets
75mm / 150mm



Z: Wrench

Required Tools:



Crescent
Wrench

Phillips
Screwdriver

Step 1: Attach Projector to Projector Adapter

There are a wide variety of projectors available that use an assortment of bolt sizes. We provide a selection of mounting bolts to fit most projectors.

Step 1.1 Determine correct bolt size.

Determine the correct bolt size for your projector mounting holes. We provide a wide selection of bolts in varying lengths. See parts list **A** thru **K**. Hand test the bolts to ensure you do not damage the projector. See Diagram A.

Step 1.2 Select optional spacers.

Determine the correct size spacer (**Q** thru **T**) based on the surface you are mounting to. An uneven mounting surface can be leveled using the supplied spacers. See Diagram B.

Step 1.3 Determine mounting arm configuration.

The projector adapter comes pre-assembled with (2) 50mm and (2) 100mm mounting arms. If the projector's mounting holes are out of reach of the projector adapter,

use the extension arms (**Y**) provided (replacing one by one as required). The flexibility of the mount and the varying arm lengths will mean there is more than one solution for fitting the arms to your projector. It is best to use the shortest arm configuration possible while maintaining a suitable center of gravity for the projector. See Diagram C.

Once the appropriate arm configuration has been selected and assembled the projector adapter should be mounted on the projector (Diagram C).

Step 1.4 Test the projector Center of Gravity.

Lift the projector assembly by the center of the projector adapter to test the Center of Gravity, as shown in Diagram D. If necessary, loosen the extension arms slightly to adjust position of adapter, and tighten the bolts when the projector is balanced.

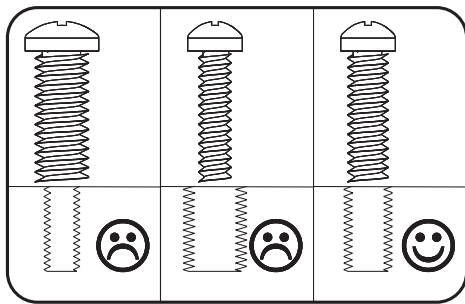


Diagram A

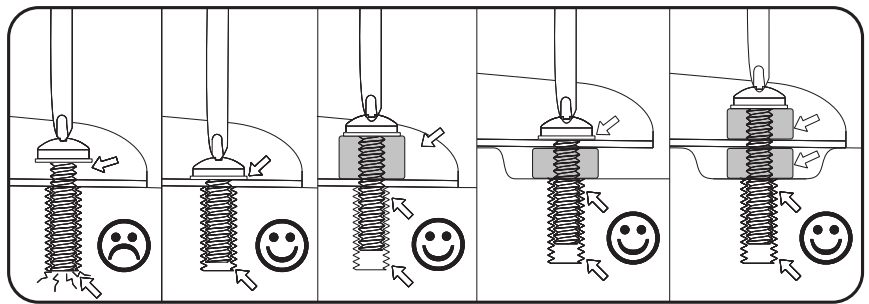


Diagram B

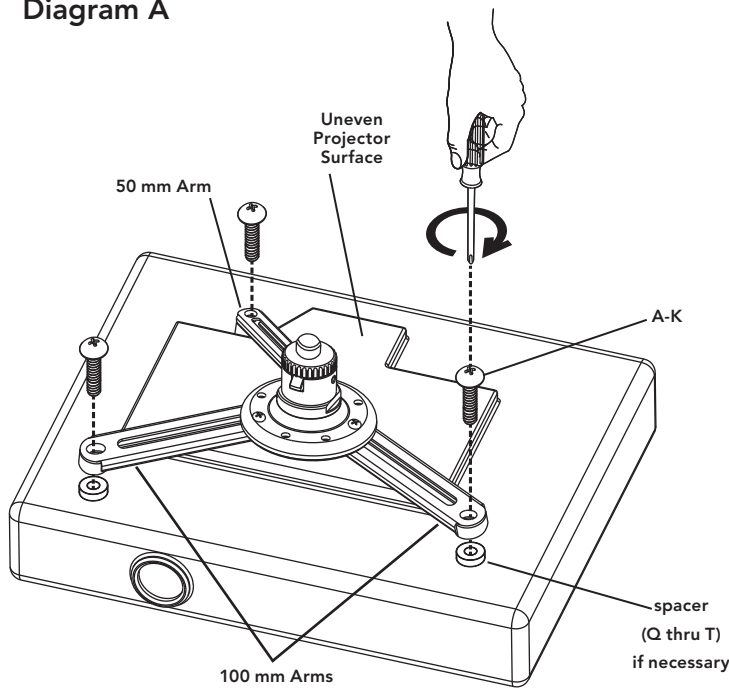


Diagram C

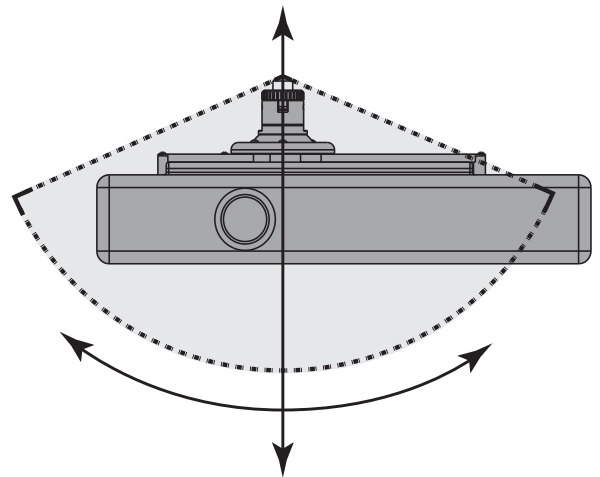


Diagram D

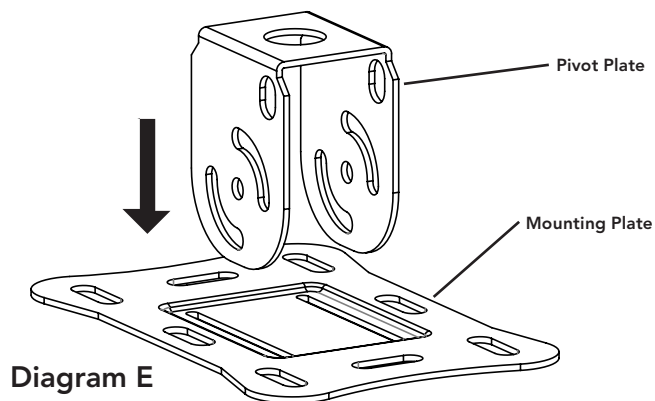


WARNING

Never over-tighten a bolt into the projector body.

Step 2: Attach the Ceiling Plate

Insert the Pivot Plate into the Mounting Plate as shown in Diagram E. The P301 Ceiling Plate Assembly (U) has 8 slots for mounting. The Ceiling Plate Assembly can be mounted to a flat or sloped ceiling, or even to the side of a beam, as it will provide $\pm 90^\circ$ rotation and allow the extension tubes to hang vertically. Secure the Mounting Plate with appropriate hardware ensuring the Ceiling Plate Assembly can support 4x the total weight of your projector. Hardware will be specific for your ceiling. If you are unsure of what hardware is required, please contact a qualified installation contractor. Hardware for the ceiling mount plate is not included in this kit due to the many mounting and ceiling variables.



Step 3: Attach the Optional Extension Tubes

Attach the two extension tubes included in the P301 box to the Ceiling Plate Assembly, as shown in Diagram F.

Assemble Outer Extension Tube (W) to Inner Extension Tube (X) at the desired length using three M8 x 55mm screws (M) and locking nuts (M). Tighten using the large Allen Key (L), but do not overtighten the screws.

Use tightening screws (P) on each side of the extension tubes to ensure they are held firmly together. Tighten using the small Allen Key (L).

Install the assembled extension tubes to the Ceiling Plate Assembly (U) so that the tubes are hanging vertically, and attach using three M8 x 60mm screws (N) and locking nuts (N). Tighten using the large Allen Key (L), but do not overtighten the screws.

You are now ready to attach the projector and Projector Adapter to the extension tubes.

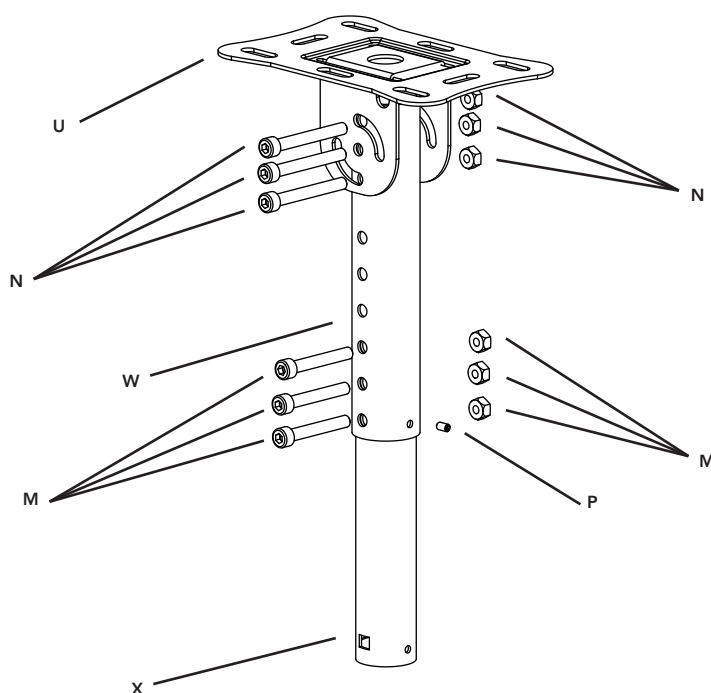


Diagram F



CAUTION

Read this section carefully prior to install.

Step 4: Attach Projector to Ceiling

The P301 has two spring loaded locking tabs that allow easy installation to the ceiling plate assembly.

Push the Projector Adapter (V) up into the ceiling plate or extension tube. The 2 spring loaded locking tabs will catch in 2 of the 4 square holes in the ceiling plate or extension tube. Take caution to ensure the Projector Adapter (V) engages; see Diagram G.

Once you have the Projector Adapter locked into the ceiling plate or extension tube, install the 2 Safety Screws (O).

The projector can now be gently twisted left or right, or tilted +/- 20° to aim at your screen.

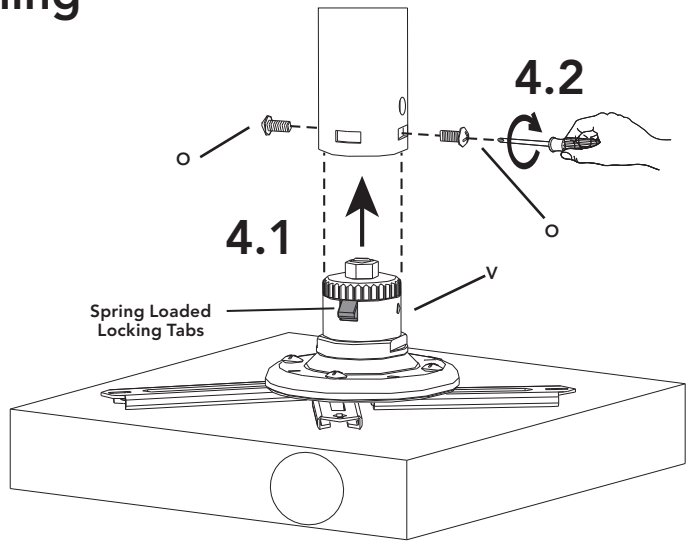


Diagram G

Step 5: Tilt the Projector

The P301 tilts up to 20° in any direction, by way of a ball joint inside the Projector Adapter (V). Once the projector is mounted to the ceiling plate, you can adjust the tilt by holding the projector and pushing it in the direction you need. The tension should be firm, so that the projector will remain in the position you desire when you stop applying pressure.

NOTE: The Projector Adapter (V) has a tensioning ring that comes pre-tensioned from the factory. If the ball joint is too tight to move with reasonable pressure, or too loose to stay in position, you will need to adjust the tension. Should you find your installation requires this ring to be adjusted and re-tensioned, remove the projector from the ceiling as described in Step 6, and follow the tensioning procedure as described in the optional Step 7.

Step 6: Removing Projector from Ceiling

The Projector Adapter (V) is designed to be easily removed from the ceiling plate or extension tube for cleaning, servicing, realignment and tensioning, as shown in Diagram H.

Remove the two Safety Screws (O) holding the Projector Adapter to the ceiling plate or extension tube.

Gently push up on the Projector / Projector Adapter to disengage the Spring Loaded Locking Tabs.

Turn the projector slightly left or right so the locking tabs cannot re-engage into the ceiling plate or extension tube, and pull the projector down to remove.

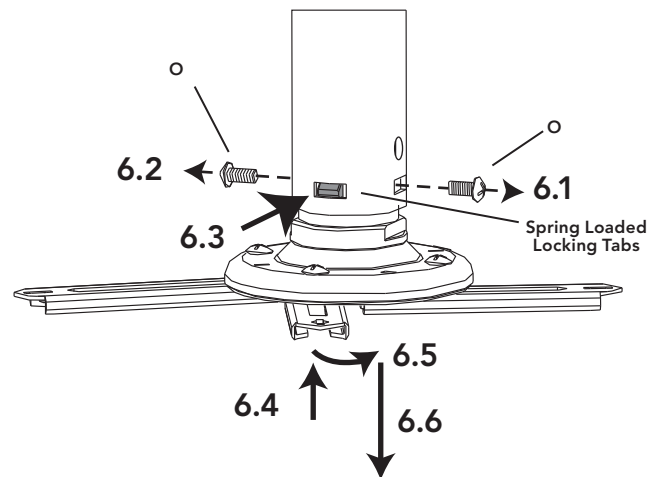


Diagram H



WARNING

Support the weight of the projector so it does not fall from your mount.

IF NECESSARY

Step 7: Adjust the Projector Adapter Tension

The Projector Adapter (V) Tensioning Ring comes pre-tensioned from the factory. Should you find your installation requires this ring to be adjusted and re-tensioned, follow this procedure, referring to Diagram I:

Step 7.1 Use the included Wrench (Z) to loosen the locking nut.

Step 7.3 Tighten the locking nut with Wrench (Z) to ensure the Plastic Tension Ring cannot loosen.

Step 7.2 Rotate the large Plastic Tension Ring to achieve the desired level of tension. Use the Wrench (Z) if necessary.

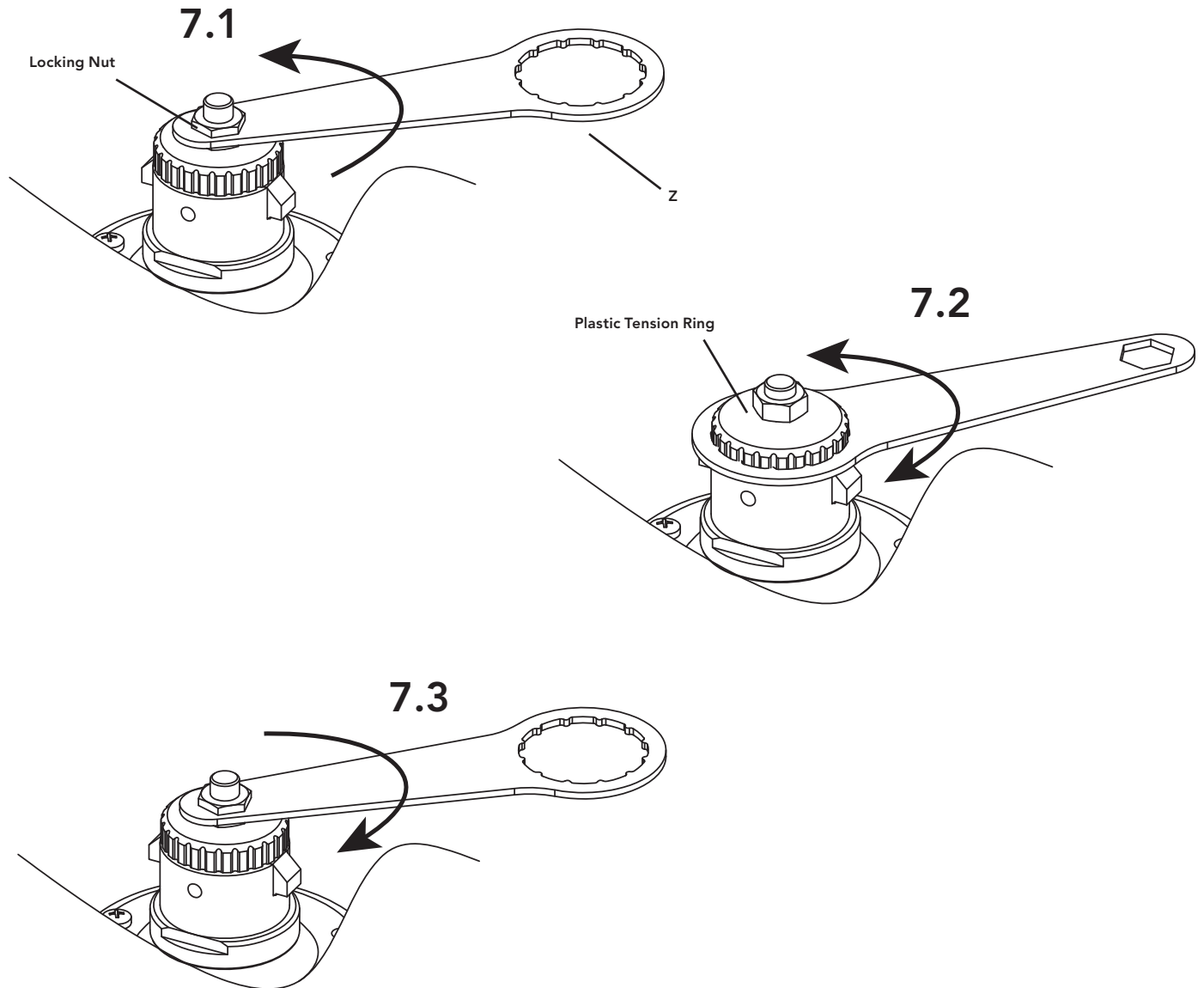


Diagram I



Check out more great products from Kanto!

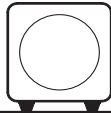
Kanto Speakers

- Check out our full line of bookshelf and desktop speaker systems
- Available in a stunning array of colors
- Visit kantospeakers.com for more!

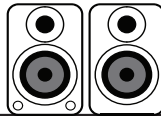
YU2
+
S2



sub6



YU4



YU6
+
SP26
+
sub8

link
par kanto

- Full line of Audio and Video Cables
- White or Black Cables available
- HDMI, Optical, Mini-jack, RCA, USB
- Switchers, Hubs, and Adapters
- Visit kantoliving.com



To learn more about all our products, visit www.kantoliving.com

f Kanto Living

🐦 @kantoliving

📷 kantoliving

▶ Kanto Living

📺 Kanto Living

Warranty

Limited Warranty to Original Purchaser

Kanto Distribution Inc. (Kanto) warrants the equipment it manufactures to be free from defects in material and workmanship for the following limited warranty period of: 5 years parts and labour

If equipment fails because of such defects and Kanto or an authorized dealer is notified within 5 years from the date of shipment with proof of original invoice, Kanto will, at its option, repair or replace the equipment, provided that the equipment has not been subjected to mechanical, electrical, or other abuse or modifications. Equipment that fails under conditions other than those covered will be repaired at the current price of parts and labor in effect at the repair. Such repairs are warranted for 90 days from the day of reshipment to the original purchaser. This warranty is in lieu of all other warranties expressed or implied, including without limitation, any implied warranty or merchantability or fitness for any particular purpose, all of which are expressly disclaimed. Customers will be responsible for obtaining a Return Authorization as well as shipping costs to return product to a Kanto location or authorized depot listed on the website. If the equipment is covered under the warranty provisions above, Kanto will repair or replace, and be responsible for return shipping to the customer. Please keep the original packaging so products will not be damaged during shipping, and we recommend you insure your shipment. If equipment fails outside the warranty provisions, customers will be quoted repair and return shipping costs prior to work being performed.

The information in the owner's manual has been carefully checked and is believed to be accurate. However, Kanto assumes no responsibility for any inaccuracies that may be contained in the manual. In no event will Kanto, be liable for direct, indirect, special, incidental, or consequential damages resulting from any defect or omission in this manual, even if advised of the possibility of such damages.

