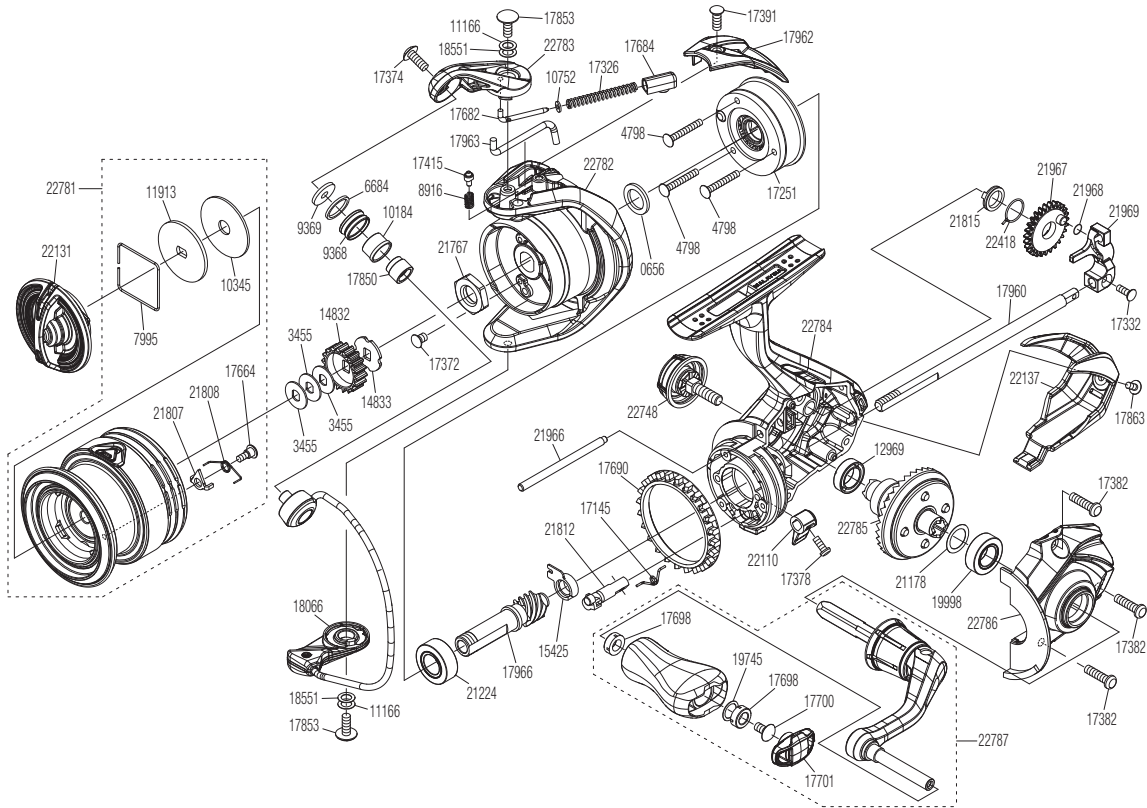


SHIMANO

SEDONA

SE-1000



(51SB502B10X) Please note that the number of adjusting washers may not be the same as shown in the exploded views. (Adjustment will vary with each individual product.)

#	Part No.	Description	#	Part No.	Description	#	Part No.	Description
0656	1074R	Washer	17415	106ZC	Click Pin	21966	101BN	Oscillating Guide
3455	10BXN	Spool Washer	17664	10TRB	Screw	21967	101BV	Oscillating Gear
4798	103C6	Screw	17682	1061L	Bail Spring Guide A	21968	101BW	O Ring
6684	10KFD	Spacer	17684	107AB	Bail Spring Guide B	21969	101BP	Oscillating Slider
7995	10B87	Retainer	17690	104FV	Friction Ring	22110	100HA	Anti Reverse Lever
8916	10CH0	Click Spring	17698	10PXZ	Bushing	22131	100FH	Drag Knob Assembly
9368	10JLF	Line Roller	17700	10LFA	Screw	22137	10TAR	Rear Protector
9369	10PPF	Washer	17701	10TNJ	Handle Knob Seal	22418	10RPB	Bushing Spring
10184	10PFH	Bushing	17850	1020X	Collar	22748	13YW9	Handle Screw Cap Assembly
10345	10N5A	Drag Washer	17853	10LFH	Screw	22781	13ZP9	Spool Assembly
10752	10TYE	Bail Spring Guide A Collar	17863	10LCS	Screw	22782	13ZPA	Rotor
11166	10KFA	Washer	17960	101SY	Main Shaft	22783	13ZPB	Bail Arm
11913	10N24	Key Washer	17962	101T4	Bail Spring Cover	22784	13ZPC	Body
12969	107FA	Ball Bearing	17963	106L0	Bail Trip Lever	22785	13ZPD	Drive Gear Assembly
14832	103MU	Spool Support A	17966	101SU	Pinion Gear	22786	13ZPE	Side Cover
14833	10J04	Spool Support B	18066	10DH9	Bail Assembly	22787	13ZPF	Handle Assembly
15425	1074K	Bushing	18551	10K96	Washer			
17145	105B4	Anti Reverse Cam Spring	19745	104FH	Washer			
17251	10QPN	Roller Clutch Assembly	19998	10DZB	Ball Bearing			
17326	10R2N	Bail Spring	21178	10EEZ	Washer			
17332	10R1P	Screw	21224	10E7A	Ball Bearing			
17372	10LCE	Screw	21767	10RXE	Rotor Nut			
17374	10K90	Screw	21807	10DS4	Drag Click			
17378	10L1R	Screw	21808	10DS6	Drag Click Spring			
17382	10L6J	Screw	21812	10T82	Anti Reverse Cam			
17391	10LFK	Screw	21815	10TBH	Bushing			