

FEATURES & SPECIFICATIONS

INTENDED USE — Ideal for applications requiring attractive edge-lit exit signage. Meets city of Chicago requirements.

CONSTRUCTION — Extruded brushed aluminum or white housing/trim.

Letters are 6" high with 100 ft viewing distance rating based upon UL924 standard (meets UL924 requirements however models with the city of Chicago required full stroke arrow cannot bear any UL mark). Full 3/4" stroke arrow. City of Chicago approved.

OPTICS — White LED technology provides uniform illumination to meet city of Chicago requirements.

The typical life of the exit LED lamp is 10 years.

Low energy consumption; fewer than five watts.

ELECTRICAL — Dual voltage input capacity (120/277).

Battery (for EL option only): Sealed maintenance-free nickel-cadmium battery delivers 90 minutes capacity to lamp. Charger maximizes battery life and automatically recharges after battery discharge.

INSTALLATION — EDGC - Universal (top, end or back) surface mounting. Black canopy provided with brushed aluminum housing. White canopy provided with white housing.

EDGRC – Recessed mounting. Bar hanger and brackets provided for both new or restricted ceiling access installation applications. Back wall mount (WM) option.

No acrylic panel, housing only option available.

LISTINGS — UL damp location listed 32°F to 122°F (0°C to 50°C) standard. Meets UL 924 (meets the UL924 requirements however models with the Chicago required full stroke arrow cannot bear any UL mark), NFPA 101 (current Life Safety Code), NEC and OSHA illumination standards. Meets City of Chicago Code. EDGRC models are city of Chicago plenum approved.

WARRANTY — 5-year limited warranty. Complete warranty terms located at:

www.acuitybrands.com/CustomerResources/Terms_and_conditions.aspx

Note: Actual performance may differ as a result of end-user environment and application.

All values are design or typical values, measured under laboratory conditions at 25 °C.

Specifications subject to change without notice.

Catalog Number
Notes
Type



Edge-Lit Exits

EDGC

LED LAMPS



SPECIFICATIONS

	EDGC NAP	EDGC EL NAP	EDGC	EDGC EL
Length	12.9 (32.8)	12.9 (32.8)	12.9 (32.8)	12.9 (32.8)
Height	3.25 (8.3)	3.25 (8.3)	13.4 (34.0)	13.4 (34.0)
Width	1.8 (4.5)	1.8 (4.5)	4.5 (11.3)	4.5 (11.3)
Weight	2.2 lbs (.99 kg)	2.4 lbs (1.1 kg)	2.9 (1.3 kg)	3.2 (1.4)

	EDGRC NAP	EDGRC EL NAP	EDGRC	EDGRC EL
Length	15.7 (40)	15.7 (40)	15.7 (40)	15.7 (40)
Height	5.4 (13.7)	5.4 (13.7)	12.7 (32.1)	12.7 (32.1)
Width	4.1 (10.5)	4.1 (10.5)	4.1 (10.5)	4.1 (10.5)
Weight	3.6 lbs (1.6 kg)	4.8 lbs (2.1 kg)	5.6 lbs (2.5 kg)	6.1 lbs (2.7 kgs)

	EXIT and STAIR Panels
Length	12.7 (5.7)
Height	9.8 (4.4)
Width	.5 (1.2)
Weight	2 lbs (.9 kg)

All dimensions are inches (centimeters) unless otherwise noted.

ORDERING INFORMATION

Lead times will vary depending on options selected. Consult with your sales representative.

Example: EDGC 1 RW CH3 EL

Family	Housing	Number of faces	Letter color
EDGC Surface mount LED edge-lit exit	(blank) Brushed aluminum	(blank) Not Required ¹	(blank) Not Required ¹
EDGRC Recess mount LED edge-lit exit	W White	1 Single face 2 Double face	RW Red on white background

Directional indicators ¹	Operation	Option
(blank) Not Required ¹ <u>Single face:</u> ² CH3 EXIT with no arrow CH6 EXIT with right arrow CH9 EXIT with left arrow CH12 EXIT with double arrow CH2A STAIR with no arrow CH5A STAIR with right arrow CH8A STAIR with left arrow CH11A STAIR with double arrow	(blank) Standard non-emergency EL Emergency operation with nickel-cadmium battery	(blank) Not Required ¹ NAP No acrylic panel. Housing only ³ WM Recessed wall mount ⁴
<u>Double face:</u> ² CH18 EXIT with no arrow CH21 EXIT with right/left arrow CH24 EXIT with double arrow CH17A STAIR with no arrow CH20A STAIR with right/left arrow CH23A STAIR with double arrow		

Accessories next page.

Notes

- Use with NAP option only. EDGC & EDGRC use the same housing for single and double face panels. See accessories for panel offering. Panels are ordered separately.
- Meets the UL924 requirements however models with the Chicago required full stroke arrow cannot bear any UL mark.
- See accessories for panel offering.
- Available on EDGRC single face only. When ordered with NAP option, panels ordered separately. i.e. EDGRC NAP WM or EDGRC EL NAP WM. See accessories for single face panel offering.
- See spec sheet ELA-StemKits. Only available for EDGC.

Accessories ³ : Order as separate catalog number.		
Panel Offering Single Face:	Panel Offering Double Face:	Stem Kits:
ELA EDGCH3 EXIT with no arrow	ELA EDGCH18 EXIT with no arrow	ELA US12 12" stem kit with brushed aluminum canopy ⁵
ELA EDGCH6 EXIT with right arrow	ELA EDGCH21 EXIT with right/left arrow	ELA W US12 12" stem kit with white canopy ⁵
ELA EDGCH9 EXIT with left arrow	ELA EDGCH24 EXIT with double arrow	
ELA EDGCH12 EXIT with double arrow	ELA EDGCH17A STAIR with no arrow	
ELA EDGCH2A STAIR with no arrow	ELA EDGCH20A STAIR with right/left arrow	
ELA EDGCH5A STAIR with right arrow	ELA EDGCH23A STAIR with double arrow	
ELA EDGCH8A STAIR with left arrow		
ELA EDGCH11A STAIR with double arrow		

SPECIFICATIONS

ELECTRICAL

Primary Circuit

Type	Typical LED life ¹	Supply voltage	Input watts	Max. amps
EXIT/STAIR AC only	10 years	120	5	0.10
		277	5	0.05
EXIT/STAIR emergency	10 years	120	5	0.10
		277	5	0.05

BATTERY

Sealed Nickel-Cadmium (EL option)

Typical shelf life ²	Typical life ²	Maintenance ³	Temperature range ⁴
3 years	5 - 7 years	none	32°–122°F (0°–50°C)

Notes

- Based on continuous operation.
- At 77°F (25°C).
- All life safety equipment, including emergency lighting path of egress, must be maintained, serviced and tested in accordance with all National Fire Protection Association and local codes. Failure to perform the required maintenance, service or testing could jeopardize the safety of occupants and will void all warranties.
- Optimum ambient temperature range where unit will provide capacity for 90 minutes. Higher and lower temperatures affect life and capacity.

Directional Indicators (Exit)

Specification (add to catalog number)	Graphics	
	Back	Front
CH3 (no arrows)		
CH6 (right arrow)		
CH9 (left arrow)		
CH12 (single face, left and right arrow)		
CH18 (double face, no arrows)		
CH21 (double face, one arrow on each side)		
CH24 (double face, two arrows on each side)		

*Models with the city of Chicago required full stroke arrow cannot bear any UL mark. Excludes: CH3, CH18

Directional Indicators (Stair)

Specification (add to catalog number)	Graphics	
	Back	Front
CH2A (no arrows)		
CH5A (right arrow)		
CH8A (left arrow)		
CH11A (single face, left and right arrow)		
CH17A (double face, no arrows)		
CH20A (double face, one arrow on each side)		
CH23A (double face, two arrows on each side)		

*Models with the city of Chicago required full stroke arrow cannot bear any UL mark. Excludes: CH2A, CH17A

EDGC Edge-Lit Exits

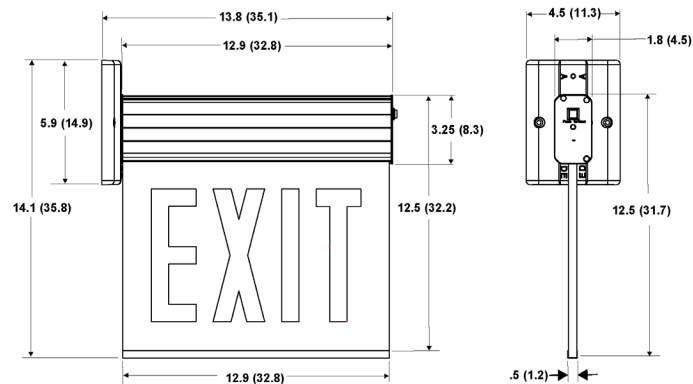
MOUNTING

All dimensions are inches (centimeters).

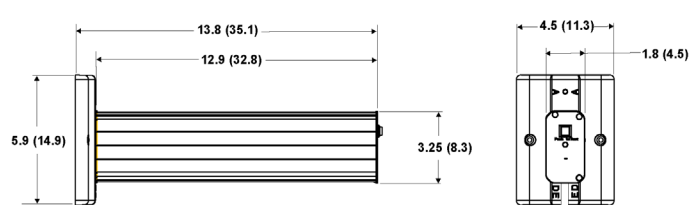
EXIT option shown. STAIR has the same mounting and dimensions as EXIT.

EDGC

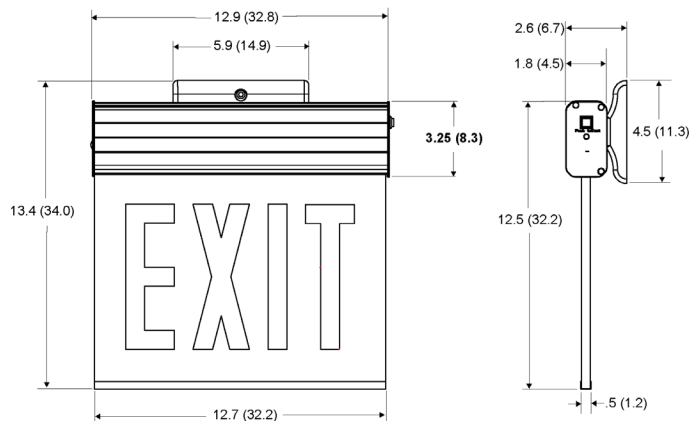
End Mount



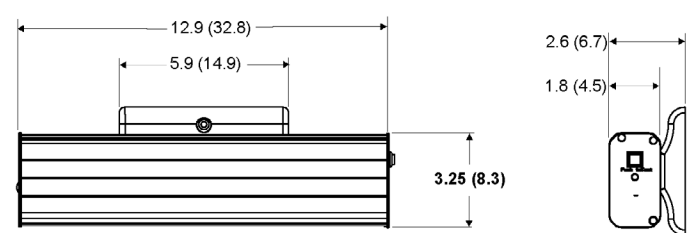
End Mount - NAP (No Acrylic Panel option)



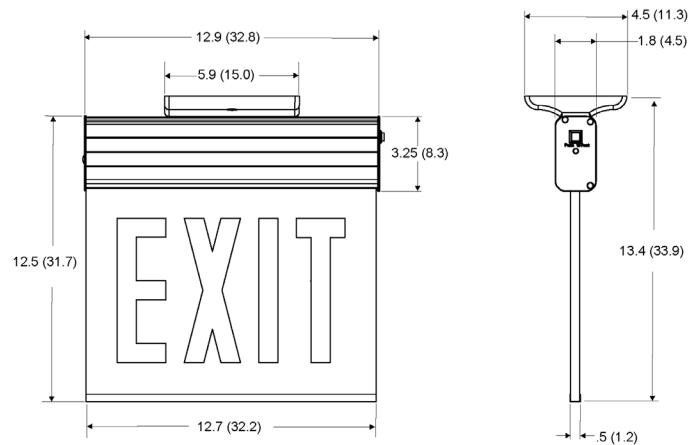
Back Mount



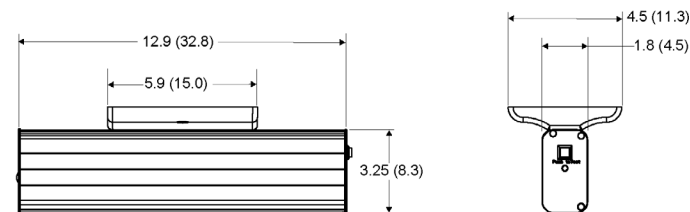
Back Mount - NAP (No Acrylic Panel option)



Surface Mount



Surface Mount - NAP (No Acrylic Panel option)



Note: STAIR option are the same as EXIT

EDGC Edge-Lit Exits

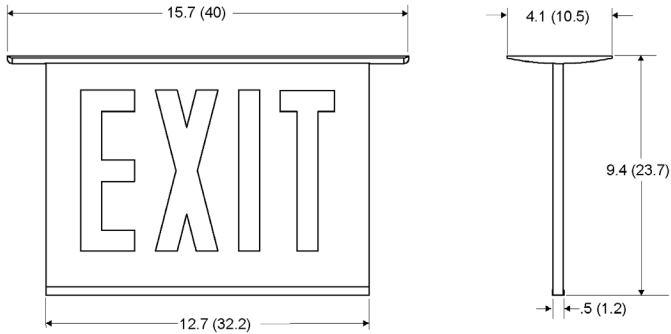
MOUNTING

All dimensions are inches (centimeters).

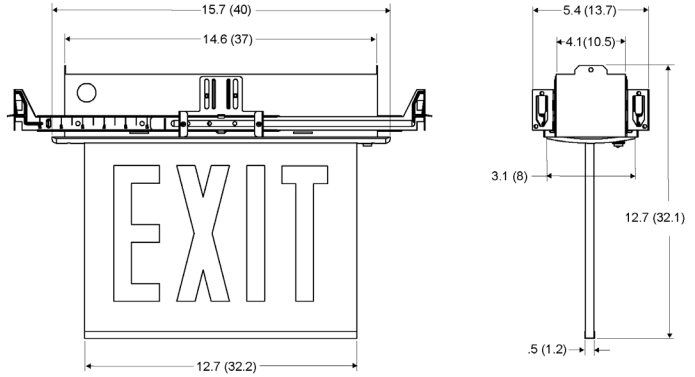
EXIT option shown. STAIR has the same mounting and dimensions as EXIT.

EDGRC

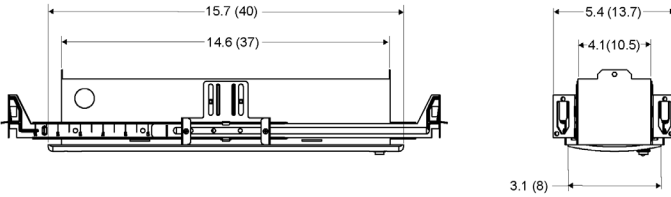
Recessed Mount



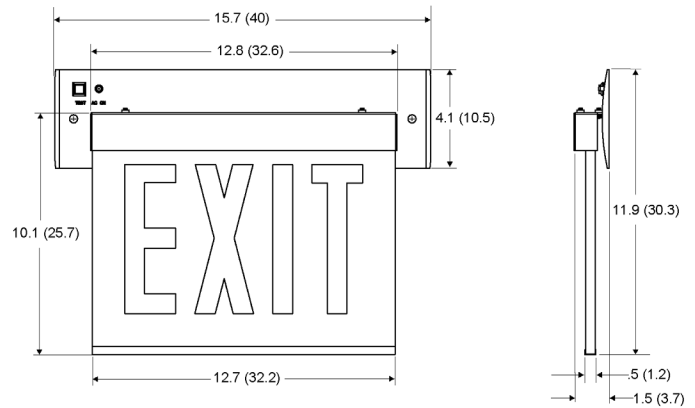
Recessed Mount - Uninstalled



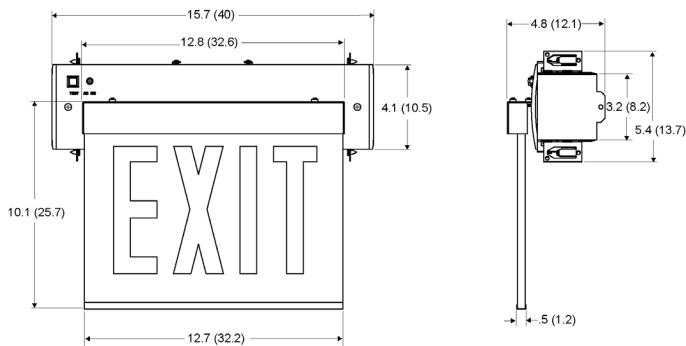
Recessed Mount - NAP (No Acrylic Panel option)



Recessed Mount - Wall Mount (WM option Installed)



Recessed Mount - Wall Mount (WM option Uninstalled)



Recessed Mount - Wall Mount NAP (No Acrylic Panel option)

