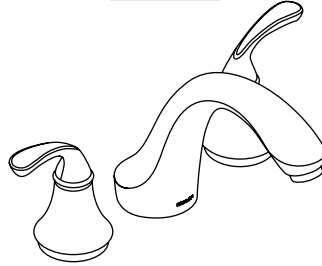


Installation Guide

Forté Bath/Deck Mount Faucet

K-T10278



M product numbers are for Mexico (i.e. K-12345**M**)

Los números de productos seguidos de

M corresponden a México (Ej.

K-12345**M**)

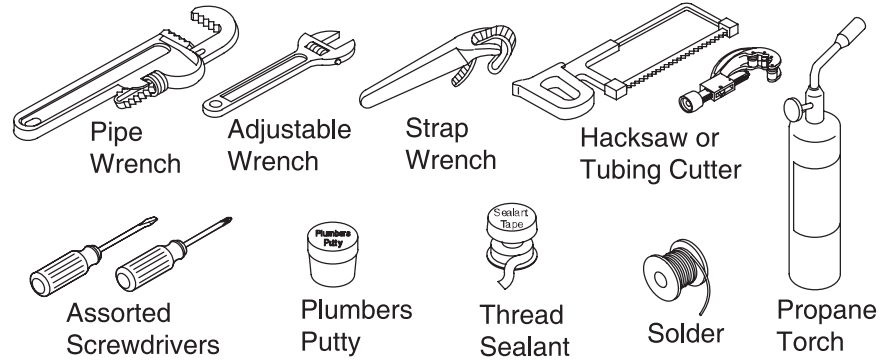
Français, page “Français-1”

Español, página “Español-1”

1017937-2-A

THE BOLD LOOK
OF **KOHLER**®

Tools and Materials



Thank You For Choosing Kohler Company

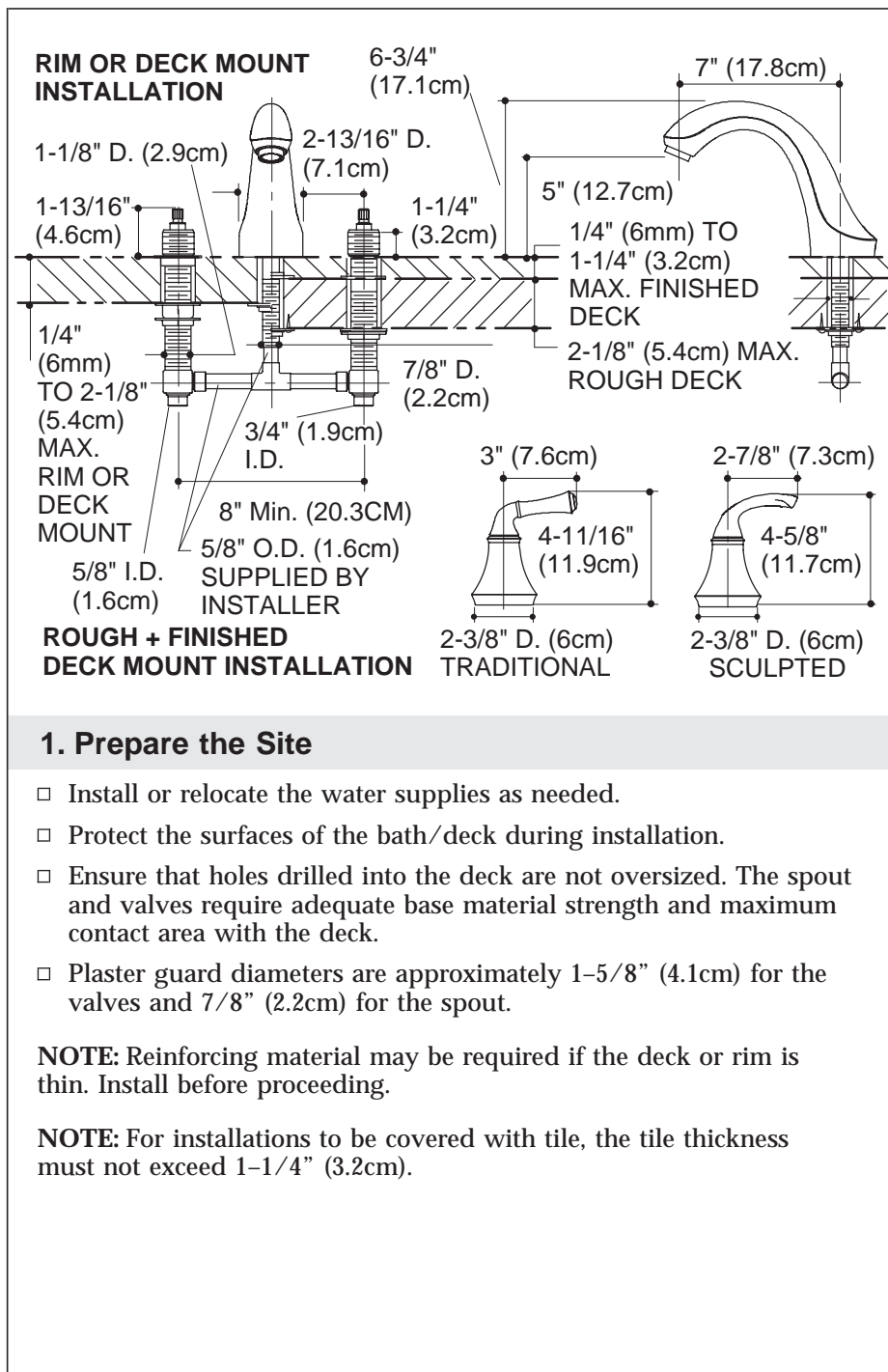
We appreciate your commitment to Kohler quality. Please take a few minutes to review this manual before you start installation. If you encounter any installation or performance problems, please don't hesitate to contact us. Our phone numbers and web site are listed on the back cover. Thanks again for choosing Kohler Company.

Before You Begin

- Deep rough-in kit #73444 allows an additional 1/2" (1.3cm) of tile thickness.
- Please read all instructions before you begin.
- Observe all local plumbing and building codes.
- Before installation, unpack the new faucet and inspect it for damage. Return the faucet to the carton until you are ready to install.
- Leave the protective sleeve on the spout supply tube until the spout is installed. The spout has an O-ring sealing surface which may be damaged if unprotected.
- Provide an access panel to the valves from under the deck.
- Installer-supplied copper tubing is to be 5/8" O.D. (1/2" nominal).
- Install water hammer arrestors in the supply lines near the valves.
- These instructions cover two methods of installation; installation on finished deck or rim, and installation on rough (unfinished) deck. Follow the sections that pertain to your particular installation.

Before You Begin (cont.)

- Instructions are given for installations with 8" (20.3cm) centers. For wider installations, adjust all roughing-in dimensions and copper tubing lengths accordingly.
- Shut off the main water supply.
- Kohler Co. reserves the right to make revisions in the design of faucets without notice, as specified in the Price Book.

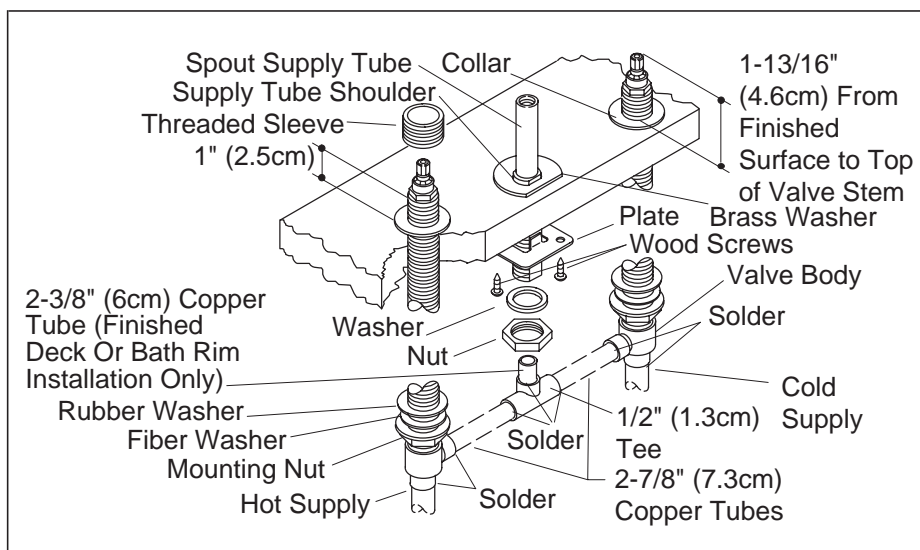


1. Prepare the Site

- Install or relocate the water supplies as needed.
- Protect the surfaces of the bath/deck during installation.
- Ensure that holes drilled into the deck are not oversized. The spout and valves require adequate base material strength and maximum contact area with the deck.
- Plaster guard diameters are approximately 1-5/8" (4.1cm) for the valves and 7/8" (2.2cm) for the spout.

NOTE: Reinforcing material may be required if the deck or rim is thin. Install before proceeding.

NOTE: For installations to be covered with tile, the tile thickness must not exceed 1-1/4" (3.2cm).



2. Installation on Finished Deck or Rim

NOTE: For installation on a rough (unfinished) deck, proceed to Installation on Rough (Unfinished) Deck.

- Use 1/2" nominal, 5/8" O.D. copper tubing. Cut two pieces of tubing to a length of 2-7/8" (7.3cm). Cut one piece of tubing to a length of 2-3/8" (6cm) for the spout supply.

IMPORTANT! Leave the protective sleeve on the spout supply tube until the spout is installed to protect the O-ring sealing surface.

Install Spout Supply Tube

- Slide a brass washer from the bottom of the spout supply tube over the threads until the washer reaches the supply tube shoulder.
- Insert the spout supply tube through the mounting hole from the top of the deck/rim. Ensure that the flat portion of the washer faces forward. The supply tube will be suspended by the washer.
- From the bottom of the deck, slide the plate, with the tabs toward the deck, and washer onto the spout supply tube. Secure with the mounting nut.
- Secure the plate to the deck with two wood screws.

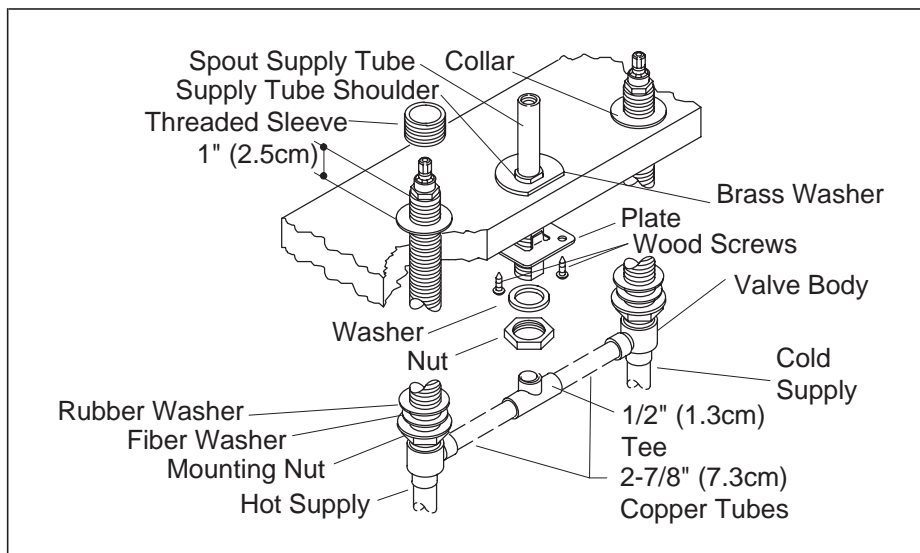
Installation on Finished Deck or Rim (cont.)

Install Valve Bodies

- Thread one mounting nut, flange side up, followed by one fiber washer and one rubber washer onto each valve body.
- Insert the 2-7/8" (7.3cm) long copper tubes between the valve bodies and the 1/2" tee. Insert the 2-3/8" (6cm) long copper tube into the top of the tee.
- Do not solder the connections at this time.

NOTE: The valve body marked "Cold" must be on the right side when you are facing the front of the faucet.

- Insert the valve bodies through the mounting holes from the bottom of the deck/rim. Match the copper tube from the tee with the spout supply tube. Hold in place.
- Place a collar with the flange side up, onto each valve body. Thread the collar down to at least 1" (2.5cm) from the top thread on the valve body.
- Install a threaded sleeve fully onto each valve body.
- Thread each collar until it contacts the sleeve.
- Tighten the mounting nuts on each valve body from underneath the deck/rim.
- Solder the copper tubes to the valve bodies, tee and spout supply tube.
- Ensure that the cold supply is on the right side.
- Solder the hot and cold water tubes to the valve body inlets.
- Proceed to Check Operation of Valves.



3. Installation on Rough (Unfinished) Deck

- Use 1/2" nominal, 5/8" O.D. copper tubing. Cut two pieces of tubing to a length of 2-7/8" (7.3cm).

IMPORTANT! Leave the protective sleeve on the spout supply tube until the spout is installed to protect the O-ring sealing surface.

Install Spout Supply Tube

- Slide a brass washer from the bottom of the spout supply tube over the threads until the washer reaches the supply tube shoulder.
- Insert the spout supply tube through the mounting hole from the top of the deck. Ensure that the flat portion of the washer faces forward. The supply tube will be suspended by the washer.
- Slide the plate, with the tabs toward the deck, and washer onto the spout supply tube from the bottom. Secure with the mounting nut.
- Secure the plate to the deck with the two wood screws.

Install Valve Bodies

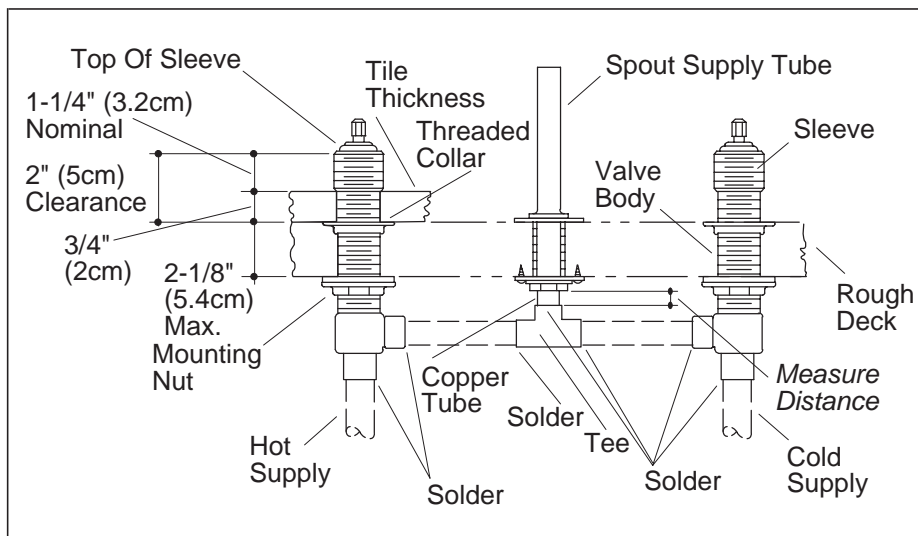
- Thread one mounting nut, flange side up, followed by one fiber washer and one rubber washer onto each valve body.
- Insert the 2-7/8" (7.3cm) long copper tubes between the valve bodies and the 1/2" tee.

Installation on Rough (Unfinished) Deck (cont.)

- Do not solder the connections at this time.

NOTE: The valve body marked “Cold” must be on the right side when you are facing the front of the faucet.

- Insert the valve bodies through the mounting holes from the bottom of the deck.
- Place a collar with the flange side up, onto each valve body. Thread the collar down to at least 1” (2.5cm) from the top thread on the valve body.
- Install a threaded sleeve fully onto each valve body.
- Thread each collar until it contacts the sleeve.



4. Complete Installation on Rough Deck

Set Valve Body Height

NOTE: Use one of the following two formulas to calculate the valve body clearance required for the finish material at your site.

- ❑ For tile that is less than 1" (2.5cm) thick, add 1-1/4" (3.2cm) to the tile thickness. Example: Tile thickness is 3/4" + 1-1/4" = 2" (5cm) of clearance required.
- ❑ For tile that is between 1" (2.5cm) and 1-1/4" (3.2cm) thick, add only 1" (2.5cm) to the tile thickness. Example: Tile thickness is 1-1/4" + 1" = 2-1/4" (5.7cm).
- ❑ Adjust the threaded collar until the dimension from the top of the sleeve to the top of the rough deck equals the clearance requirement needed. Make a note of this dimension. You will use it again after connecting the supply tube.

Connect Supply Tube

- ❑ Measure the distance from the bottom of the spout supply tube to the top of the tee.
- ❑ Add 1" (2.5cm) to this measurement and cut a piece of copper tubing to fit into the supply tube and tee port.
- ❑ Fully loosen the threaded collars but do not remove them.

Complete Installation on Rough Deck (cont.)

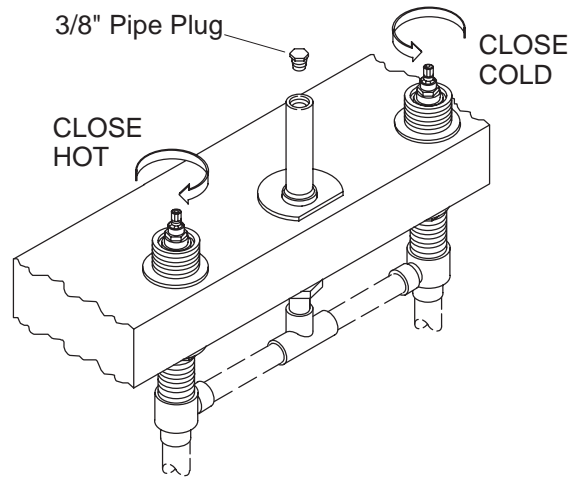
- Pivot the valve bodies enough to remove the tee and two pieces of tubing. If the valve body holes are smaller than recommended, it may be necessary to remove the entire valve body assembly.
- Install the tubing into the tee. Match the copper tube from the tee with the spout supply tube.
- Pivot the valve bodies onto the two pieces of copper tubing.
- Do not solder at this time.

Reset Valve Body Height

- Adjust the threaded collars until the dimension from the top of the sleeve to the top of the rough deck equals the clearance requirement calculated earlier.

Solder Connections

- Tighten the mounting nuts on each valve body under the deck.
- Solder the copper tubes to the valve bodies, tee and spout supply tube.
- Ensure that the cold supply is on the right side.
- Solder the hot and cold water supply tubes to the valve body inlets.



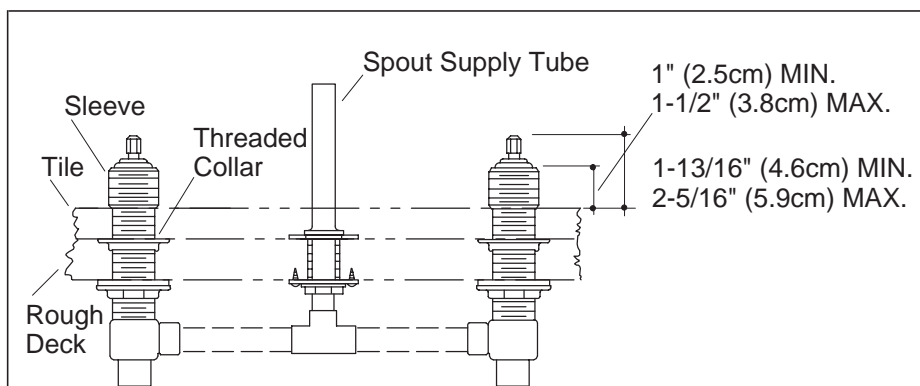
5. Check Operation of Valves

- Thread a 3/8" pipe plug into the top of the spout supply tube.
- Ensure that the valves are closed (cold — fully counterclockwise; hot — fully clockwise).
- Turn on the main water supply and check the complete installation for leaks with the valves closed and open. Repair leaks as needed.
- Close both valves and turn off the main water supply.



WARNING: Risk of personal injury.

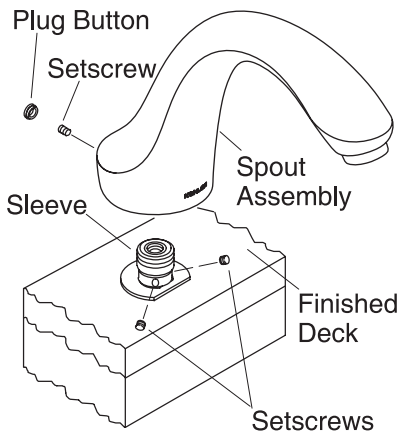
- Wrap a towel around the pipe plug to prevent water spray. Water will purge from the supply tube when you remove the plug.
- Carefully loosen the pipe plug to remove pressure.
- Thread the pipe plug back into the spout supply tube. Leave the pipe plug installed until the spout and handles are installed.
- Install the cardboard plaster guards over both valves and the spout supply tube. Leave in place until the spout and handles are installed.



6. Install Tile (If Applicable)

- Verify that there will be a 1" (2.5cm) to 1-1/2" (3.8cm) distance from the top of the sleeve to the top of the tile. If there is not, correct the valve clearance as described earlier.
- Install tile up to the plaster guards on the valves and the spout supply tube.

NOTE: The final stem heights for both K-300 and K-301 valves are 1-13/16" (4.6cm) minimum to 2-5/16" (5.9cm) maximum from the top of the valve to the top of the tile.



7. Install Spout

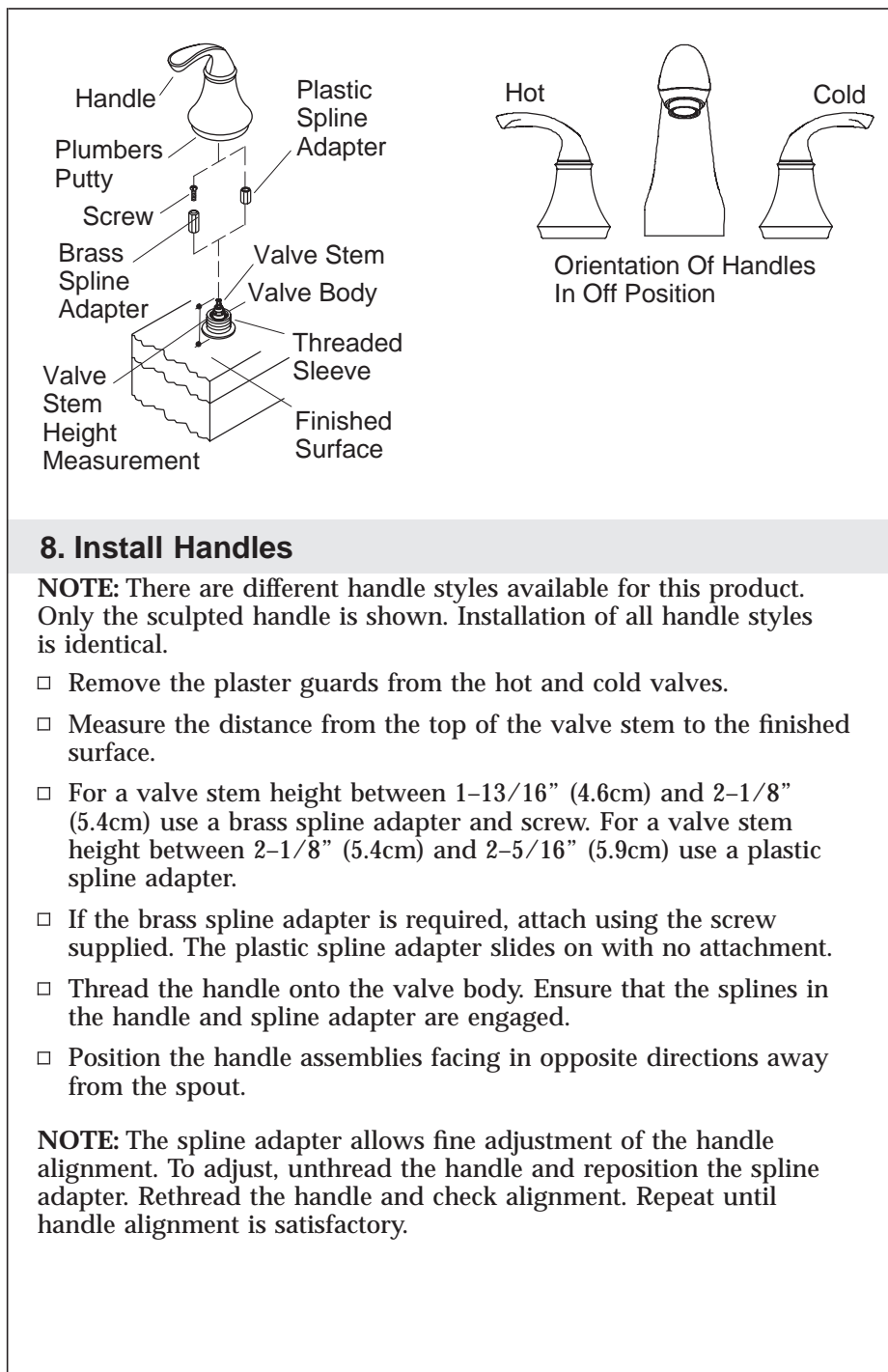
- Wrap a towel around the pipe plug and carefully remove it.
- Remove the plaster guard from the spout supply tube.
- Cut off the spout supply tube 1-1/4" (3.2cm) above the rim, finished deck or tile.
- Ensure that all burrs are removed from the supply tube.

NOTE: If your installation is on a tile-covered rough deck, slide a brass washer, flat side facing forward, onto the supply tube. The brass washer is supplied with the spout. This washer is not needed for rim/finished deck installations.

- Loosen the setscrews in the sleeve. Use a twisting motion to install the sleeve on the spout supply tube until it contacts the washer.
- Align the sleeve so the setscrews are not facing directly forward or backward and tighten the setscrews.

⚠ CAUTION: Risk of product damage. Use care when installing the spout to prevent damage to the O-ring seal on the sleeve.

- Install the spout onto the sleeve and carefully press down until the spout base contacts the finished deck surface.
- Align the spout and tighten the setscrew. If included, press the plug button into the setscrew hole.

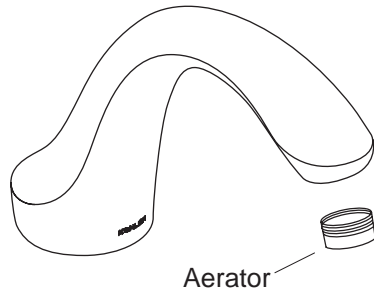


8. Install Handles

NOTE: There are different handle styles available for this product. Only the sculpted handle is shown. Installation of all handle styles is identical.

- Remove the plaster guards from the hot and cold valves.
- Measure the distance from the top of the valve stem to the finished surface.
- For a valve stem height between 1-13/16" (4.6cm) and 2-1/8" (5.4cm) use a brass spline adapter and screw. For a valve stem height between 2-1/8" (5.4cm) and 2-5/16" (5.9cm) use a plastic spline adapter.
- If the brass spline adapter is required, attach using the screw supplied. The plastic spline adapter slides on with no attachment.
- Thread the handle onto the valve body. Ensure that the splines in the handle and spline adapter are engaged.
- Position the handle assemblies facing in opposite directions away from the spout.

NOTE: The spline adapter allows fine adjustment of the handle alignment. To adjust, unthread the handle and reposition the spline adapter. Rethread the handle and check alignment. Repeat until handle alignment is satisfactory.



9. Complete the Installation

- Ensure that both faucet handles are turned off.
- Remove the aerator assembly by turning it counterclockwise.
- Turn on the main water supply and check for leaks.
- Turn on the hot and cold valves and run water through the spout to remove debris. Check for leaks.
- Turn off the hot and cold valves.
- Remove any debris from the aerator and reinstall.