







ASSEMBLY INSTRUCTIONS

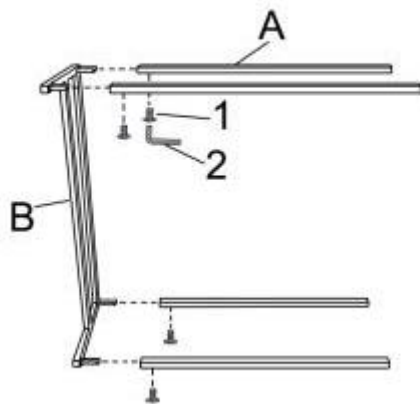
Parts required

1		Bolt	Φ6*10MML	8pcs
2		Allen wrench		1pc
3				4pcs

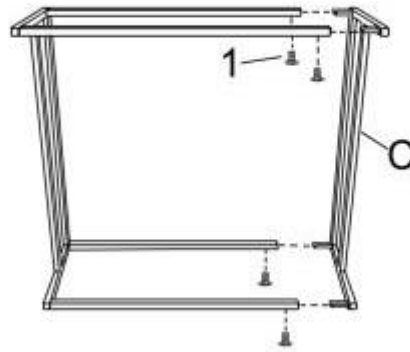
A		4pcs
---	---	------

B		1pc
C		1pc
D		1pc

1.



2.



3.



4.



5.

